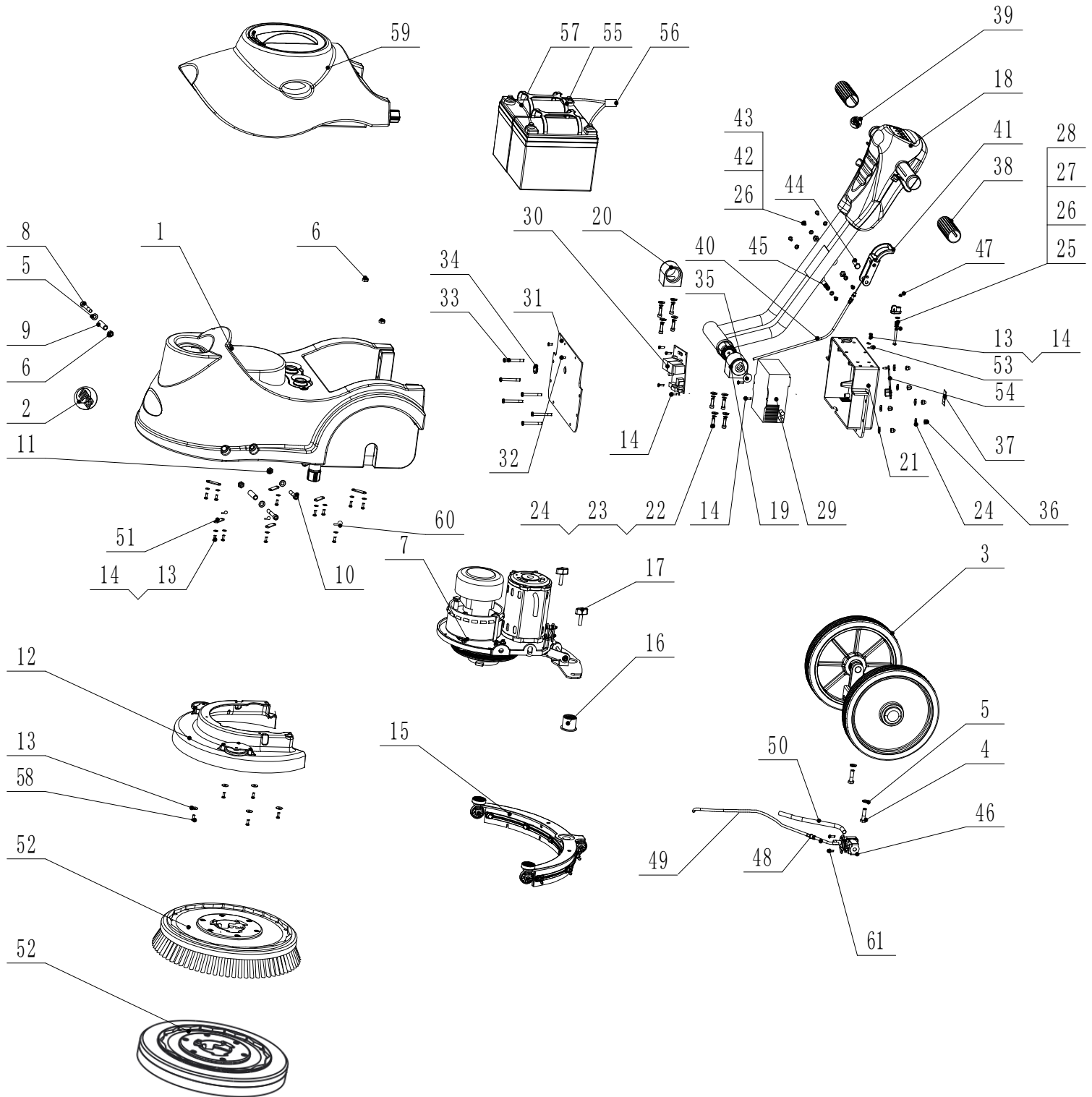


COMPLETE ASSEMBLY



MASTER PARTS LIST - FANG15B - LIST PRICE (U.S.A.)

Item	Part No.	Description	Qty	List Price
1	VF89100	KIT, SOLUTION TANK	1	\$202.75
2	VF89018	LABEL, SOLUTION TANK	1	\$3.88
3	VF89200	KIT, AXLE WHEEL	1	\$127.93
4	VF14251	BOLT, M8X30, HEX HEAD	2	\$1.20
5	VF13514A	WASHER, D8X1XD16.5	5	\$1.20
6	VF14516	NUT, NYLON INSERT, M8	4	\$1.20
7	VF89300	KIT, MOTOR MOUNTING PLATE	1	\$466.10
8	VF85698	HEX SOCKET SCREW, M8X55	2	\$1.73
9	VF89030	BUSHING	2	\$5.58
10	VF14258	HEX SOCKET SCREW, M8X40	1	\$1.50
11	VF14503	NUT, M8	1	\$1.20
12	VF89400	KIT, SKIRT ASSEMBLY	1	\$23.33
13	VV13664	WASHER, D4X1XD8	15	\$1.20
14	VF13491	PH SCREW, M4X12	16	\$1.20
15	VF89500	KIT, SQUEEGEE	1	\$77.95
16	VF89029	HOSE, CONNECT SQUEEGEE	1	\$3.90
17	VF85420	THUMB SCREW	2	\$3.55
18	VF89600	KIT, HANDLE ASSEMBLY	1	\$162.90
19	VF89001	HANDLE BLOCK, LEFT	1	\$11.75
20	VF89002	HANDLE BLOCK, RIGHT	1	\$12.30
21	VF89003	CIRCUIT BOX	1	\$27.78
22	VV60220S1	HEX SOCKET SCREW, M6X15	8	\$1.35
23	VV20290	WASHER LOCK, ϕ 6	8	\$1.20
24	VF13614	WASHER, ϕ 6	14	\$1.20
25	GT13027	PH SCREW, M5X45	1	\$1.20
26	VA13482	WASHER, D5X1XD10	6	\$1.20
27	VF89004	LATCH, RECOVERY TANK	1	\$1.35
28	VF89005	SPRING, PRESS	1	\$1.20
29	VF89023	KIT, CHARGER	1	\$340.80
	VF82331-1	REPLACEMENT POWER CORD, CHARGER	1	\$13.38
30	VF89025-1	PLATE, MAIN CONTROL	1	\$87.75
31	VF89006	CIRCUIT COVER	1	\$18.55
32	VF14301	SCREW, M4X12	2	\$1.20
33	VF89034	HEX BOLT M6X50	6	\$1.20
34	VF89052	COVER, WATERPROOF	1	\$1.20
35	VF89037	PLUG, RUBBER	1	\$1.20
36	VF89035	COVER NUT, M6	6	\$1.20
37	VF89016	LABEL, CHARGE DISPLAY	1	\$1.35
38	VF89012	HANDLE GRIP, RUBBER	2	\$6.38
39	VF89017	LABEL, REAR HOUSING	1	\$1.35
40	VF89007	CABLE, SQUEEGEE LIFT	1	\$10.25
41	VF89008	HANDLE, SQUEEGEE LIFT	1	\$8.88
42	VV20509	PH SCREW, M5X10	5	\$1.20
43	VF89010	ROTATE AXLE, SQUEEGEE LIFT CABLE	2	\$2.75
44	VF89011	AXLE, SQUEEGEE LIFT CABLE	1	\$5.80
45	VF89009	ROTATE AXLE, SQUEEGEE LIFT CABLE	1	\$4.35
46	VF89056	SOLENOID VALVE, 24V	1	\$15.25
47	VF14514	NUT, NYLON INSERT, M5	1	\$1.20
48	VF89033	HOSE	1	\$1.58
49	VF89013	PIPE SI, D4XD8, 0.7M	1	\$5.28
50	VF89014	PIPE SI, D6XD10, 0.4M	1	\$6.45
51	VF89015	PLATE	6	\$6.03
52	VF89801	BRUSH ASSEMBLY	1	\$58.25
	VF89804	PAD DRIVER	1	\$63.93
53	VF85102	SMALL CLAMP	1	\$1.20

54	VF89055	RUBBER PLUG, CHARGER INSERT	1		\$2.35
55	VF89020	BATTERY, 2-12V 35Ah	1		\$197.00
56	VF89036	POWER WIRE	1		\$14.43
57	VF89021	KIT, BATTERY CONNECT LINE	1		\$12.23
58	VA13473	PH SCREW, M4X16	5		\$1.20
59	VF89700	KIT, RECOVERY TANK	1		\$129.18
60	VF85141	BIG CLAMP	1		\$1.20
61	VA13472	PH SCREW, M4X8	2		\$1.20

*PRICING IS FOR USA ONLY. CANADIAN CUSTOMERS PLEASE CALL 800-668-8400...OPTION #2