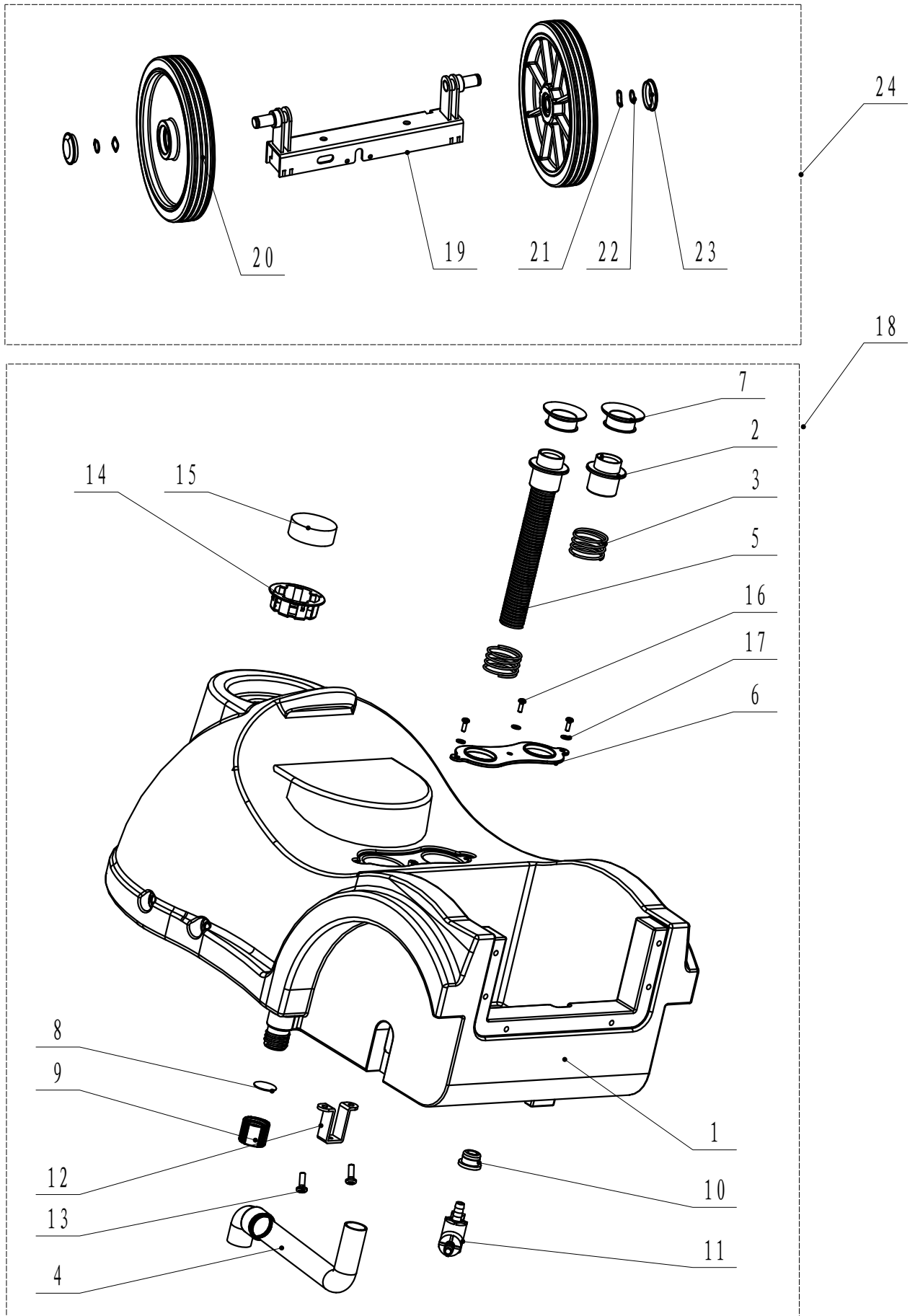


SOLUTION TANK ASSEMBLY



SOLUTION TANK ASSY - FANG 15B - LIST PRICE (U.S.A.)

Item	Part No.	Description	Qty		List Price
1	VF89101	SOLUTION TANK	1		\$191.25
2	VF89102	HOSE, CONNECT VACUUM	1		\$5.28
3	VF89103	SPRING, PRESS	2		\$1.35
4	VF89104	VACUUM HOSE	1		\$9.63
5	VF89105	SQUEEGEE HOSE	1		\$9.15
6	VF89106	PLASTIC PLATE, HOSE LIMIT	1		\$3.03
7	VF89107	RUBBER SEAL	2		\$1.93
8	VF89115	GASKET	1		\$1.20
9	VF89110	CAP, DRAIN	1		\$1.35
10	VF85302	RUBBER BUSHING	1		\$1.20
11	VF89091	SOLUTION VALVE	1		\$22.75
12	VF89112	CABLE BRACKET	1		\$9.00
13	VF14200	PH SCREW, M6X15	2		\$1.20
14	VF89113	SEAT, INLET, FRESH WATER TANK	1		\$1.35
15	VF89114	FILTER, INLET, FRESH WATER TANK	1		\$1.20
16	VF13491	PH SCREW, M4X12	3		\$1.20
17	VV13664	WASHER ϕ 4	3		\$1.20
18	VF89100	KIT, SOLUTION TANK	1		\$1.20
19	VF89201	WHEEL AXLE	1		\$38.80
20	VF89202	DRIVE WHEEL, 10"	2		\$32.83
21	VF14563	WASHER,WAVE	2		\$1.20
22	VF14552	SNAP SPRING	2		\$1.20
23	VF89202-3	CAP, WHEEL	2		\$1.20
24	VF89200	KIT, WHEEL AXLE	1		\$127.93

*PRICING IS FOR USA ONLY. CANADIAN CUSTOMERS PLEASE CALL 800-668-8400...OPTION #2