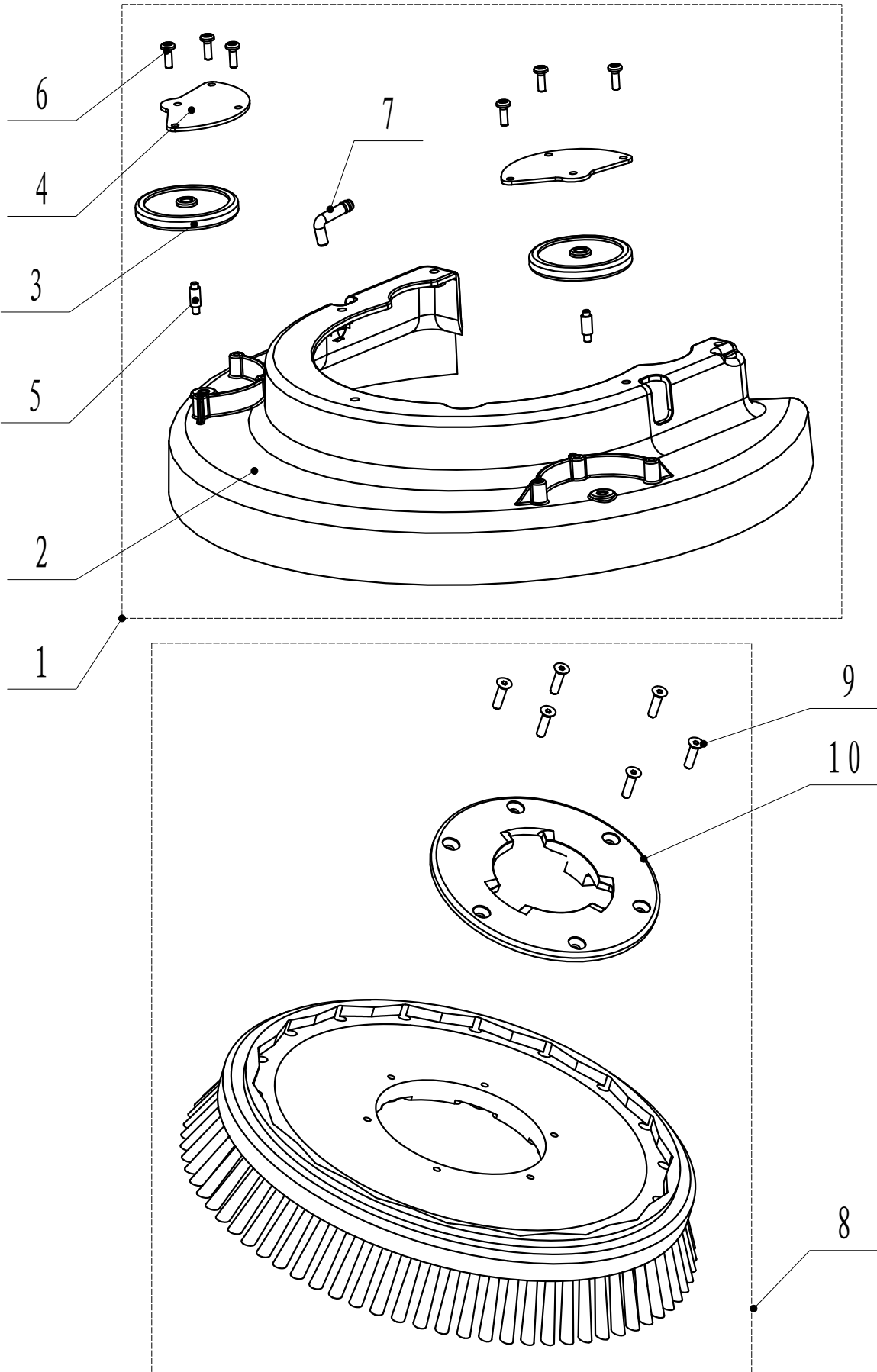


PART LIST

BRUSH SKIRT & BRUSH



**BRUSH SKIRT & BRUSH - FANG 15B - LIST PRICE (U.S.A.)**

<b>Item</b>	<b>Part No.</b>	<b>Description</b>	<b>Qty</b>		<b>List Price</b>
1	VF89400	BRUSH SKIRT ASSEMBLY	1		\$23.33
2	VF89401	BRUSH SKIRT	1		\$11.40
3	VF89402	WHEEL, BUMPER	2		\$3.38
4	VF89403	COVER, WHEEL	2		\$2.16
5	VF89404	SHAFT	2		\$2.33
6	VF14401	SCREW, ST4X10	6		\$1.20
7	VF89051	ELBOW	1		\$2.75
8	VF89801	BRUSH ASSEMBLY	1		\$58.25
	VF89804	PAD DRIVER ASSEMBLY	1		\$63.93
9	MF-VF002-4A	SCREW, ST6.5X25	6		\$1.20
10	VF89803	BRUSH HUB	1		\$11.63

\*PRICING IS FOR USA ONLY. CANADIAN CUSTOMERS PLEASE CALL 800-668-8400...OPTION #2