

Operator & Parts Manual



Dispersion Application Tool



iW90 D.A.T.

2320609U
REV.01(05-2020)

INTELLIGENT CLEANING EQUIPMENT

TABLE OF CONTENTS

SAFETY PRECAUTION. 2
HANDLE ASSEMBLY 3
OPERATION OF DISINFECTION 4-5
MACHINE COMPONENTS 6
PARTS LIST 7-11
SPECIFICATIONS 12
WIRING DIAGRAM 13
WEAR&TEAR PARTS 14

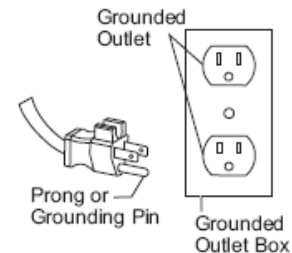
SAFETY PRECAUTION



Carefully read and understand this manual before operating this machine.
This machine must be grounded!

This machine shall be grounded while in use to protect the operator from electric shock. Grounding provides a path of least resistance for electric current. This machine is equipped with a cord having an equipment-grounding conductor and grounding plug. The plug must be plugged into an appropriate outlet that is properly installed and grounded in accordance with all local codes and ordinances. Do not remove the ground pin under any circumstances.

This machine is for use on a nominal 120-volt circuit and has a grounding plug that resembles the plug illustrated in Figure. Make sure that the machine is connected to an outlet having the same configuration as the plug. No adapter should be used with this machine.



This machine is intended for commercial use. It is constructed for use in an indoor environment and is not intended for any other use. Use only recommended accessories.

1. Do not operate machine:

- Unless trained and authorized.
- In flammable or explosive areas.
- With a damaged cord or plug
- If not in proper operating condition.
- Unless you have read and understand the operators manual.
- With the use of extension cords.
- In outdoor areas and standing water.

2. Before operating machine:

- Make sure all safety devices are in place and operating properly.

3. When using machine:

- Do not run machine over cord.
- Do not pull cord around sharp edges or corners.
- Do not handle plug with wet hands.
- Report machine damage or faulty operation immediately.
- Do not pull machine by cord or plug.
- Do not unplug by pulling on the cord.
- Do not stretch cord.
- Keep cord away from heated surfaces.

4. Before leaving or servicing machine:

- Turn off machine.
- Unplug cord from outlet.

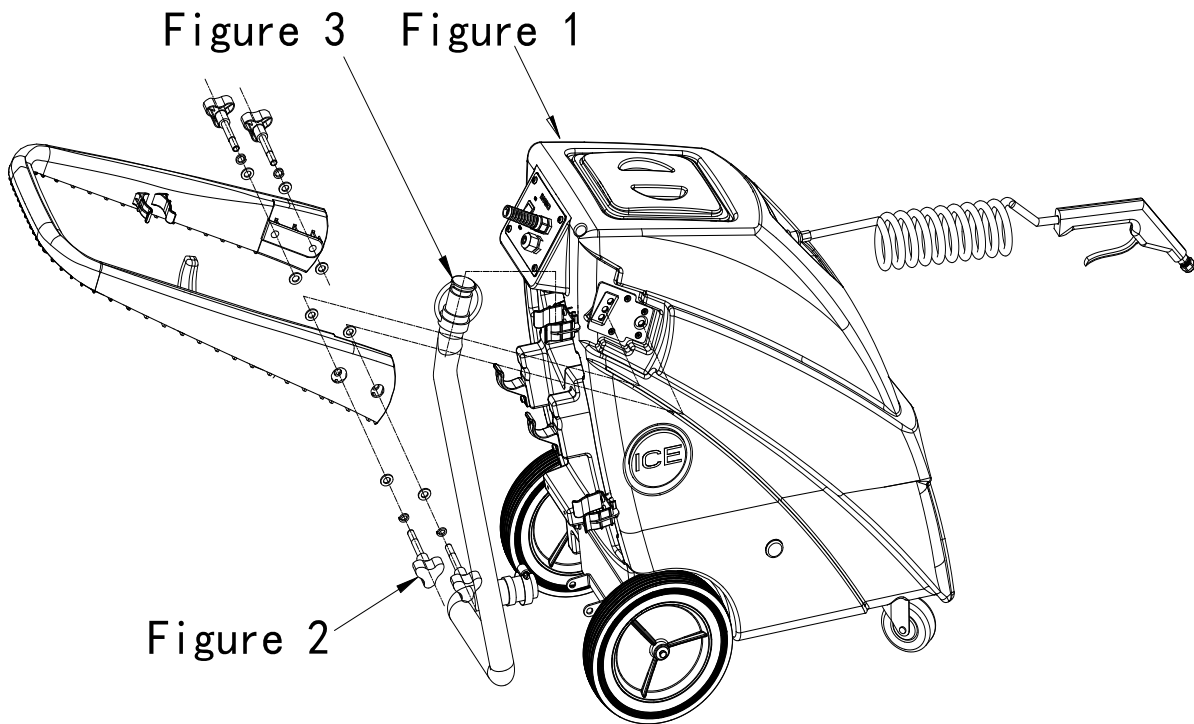
5. When servicing machine:

- Unplug cord from outlet.
- Use manufacturer supplied or approved replacement parts.



To avoid electrical shock, please replace the power cord immediately if any damage is being detected. The replacement must be performed only by an authorized person or by our customer service center.

Handle Assembly Instructions



Attaching Handle:

- 1) Remove handle from ship position (Figure 1).
- 2) Realign handle as show and screw knobs (Adjustable handle has three height) (Figure 2).
- 3) Attach Drain hose (Figure 3).

Operation of Disinfection

! Read operators manual thoroughly prior to operating or servicing this machine.

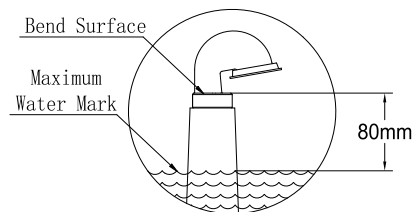
Be sure that the handle is properly assembled on machine body prior to operating .

DISPERSING

- 1) Remove clear window .
- 2) Connect drain hose to the machine body.
- 3) Make sure that the tank is full with disinfectant cleaner.

! Disinfectant cleaner should not exceed the Maximum Water Mark.

The distance between the Maximum Water Mark and the Bend Surface is 80mm.



- 4) Attach appropriate accessory tool for the job to be completed.
- 5) Make sure the Main Power Switch is in the OFF position, then plug power cord into a grounded outlet.

! Do not use an extension cord in conjunction with the standard power cord.

- 6) When using for disinfection, make sure to turn the power switch to “on” position.
- 7) To prevent odors in the disinfection tank, once not in use, drain contents in disinfection tank.

DRAINING THE TANK

- 1) Unplug machine from power outlet.
- 2) Transport machine to nearest floor drain or bucket.
- 3) Remove drain hose from rear of machine, and drain the contents of the tank.
- 4) After the contents have drained, remove the clear window and rinse the tank with clean water.
- 5) Place drain hose back in the correct drain hose clip.

MAINTENANCE

To keep the machine performing well for many years, please follow the following maintenance procedures.



Always confirm that the machine is unplugged prior to performing any maintenance or repairs.

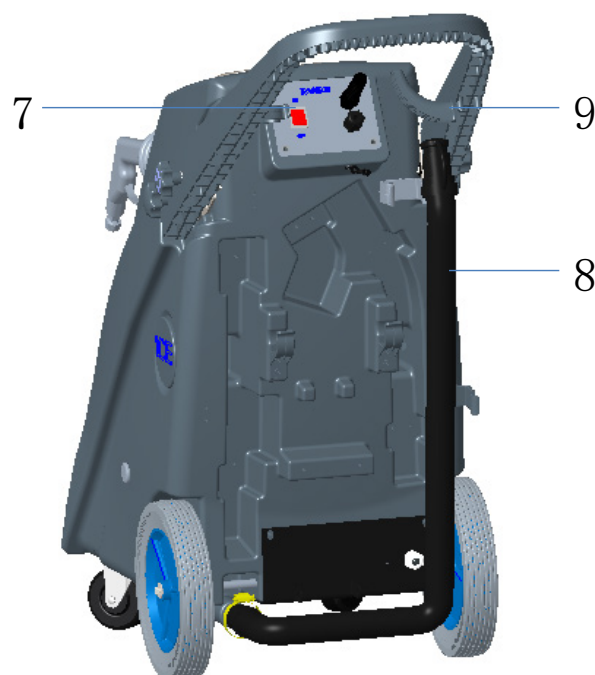
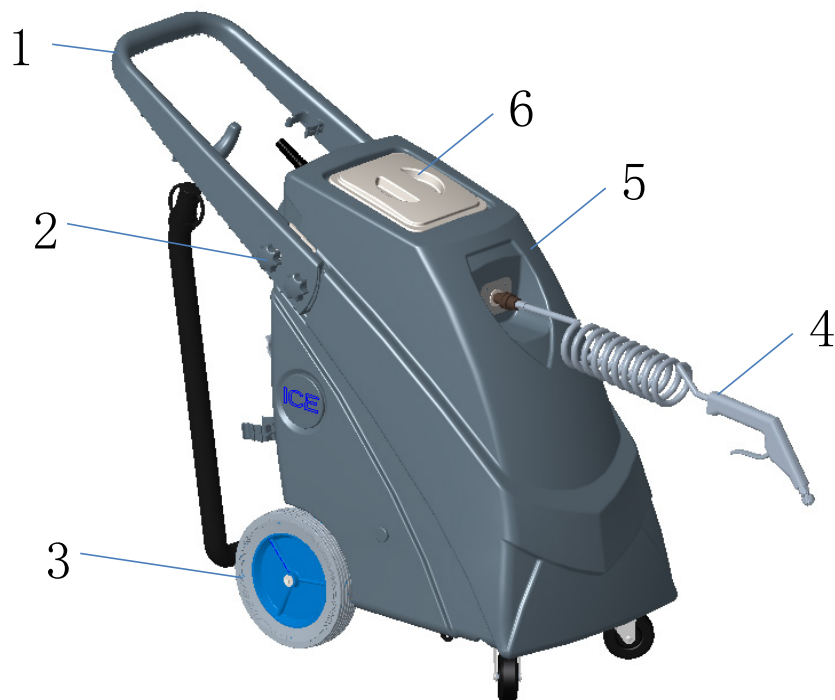
- 1) Unplug machine as soon as you are done using it.
- 2) Check power cord for any damage. If any damage is detected, replace the cord immediately.
- 3) Lubricate casters with a water resistant lubricant every month
- 4) Check machine for loose or missing nuts and bolts, and replace as necessary.
- 5) Check the filter, and clean it after each use
- 6) Clean the outside of the machine with a mild cleaner.

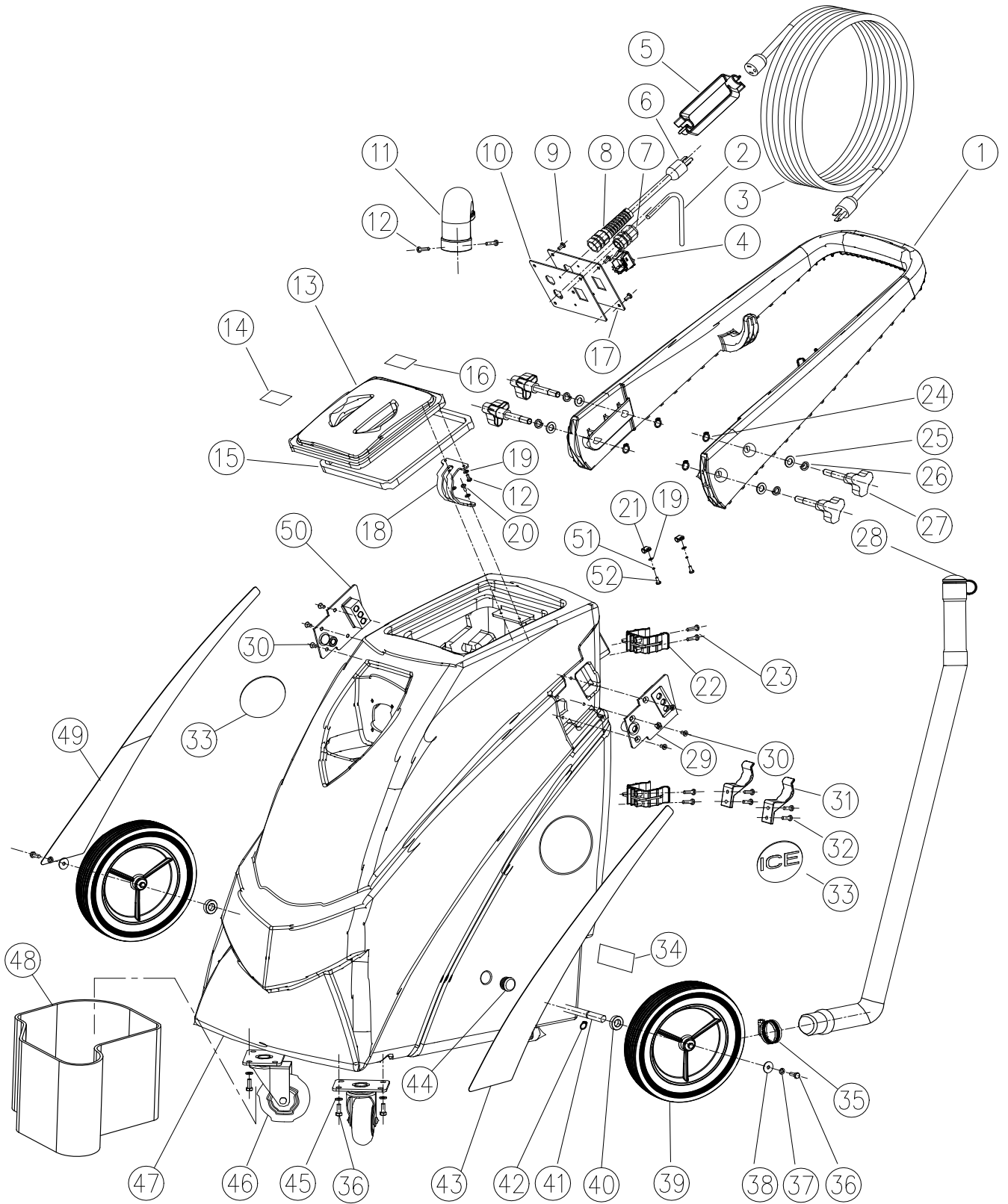
STORAGE

- 1) Unplug machine from power source and wrap cord on handle.
- 2) Store in upright position in a dry area.
- 3) Store with clear window off unit so that tank may breathe.

MACHINE COMPONENTS

- | | |
|------------------|-----------------------|
| 1. Handle | 2. Knob |
| 3. 10" Wheel | 4. Spray Gun assembly |
| 5. Tank | 6. Fill Lid |
| 7. On/Off Switch | 8. Drain Hose |
| 9. Wire Hook | |



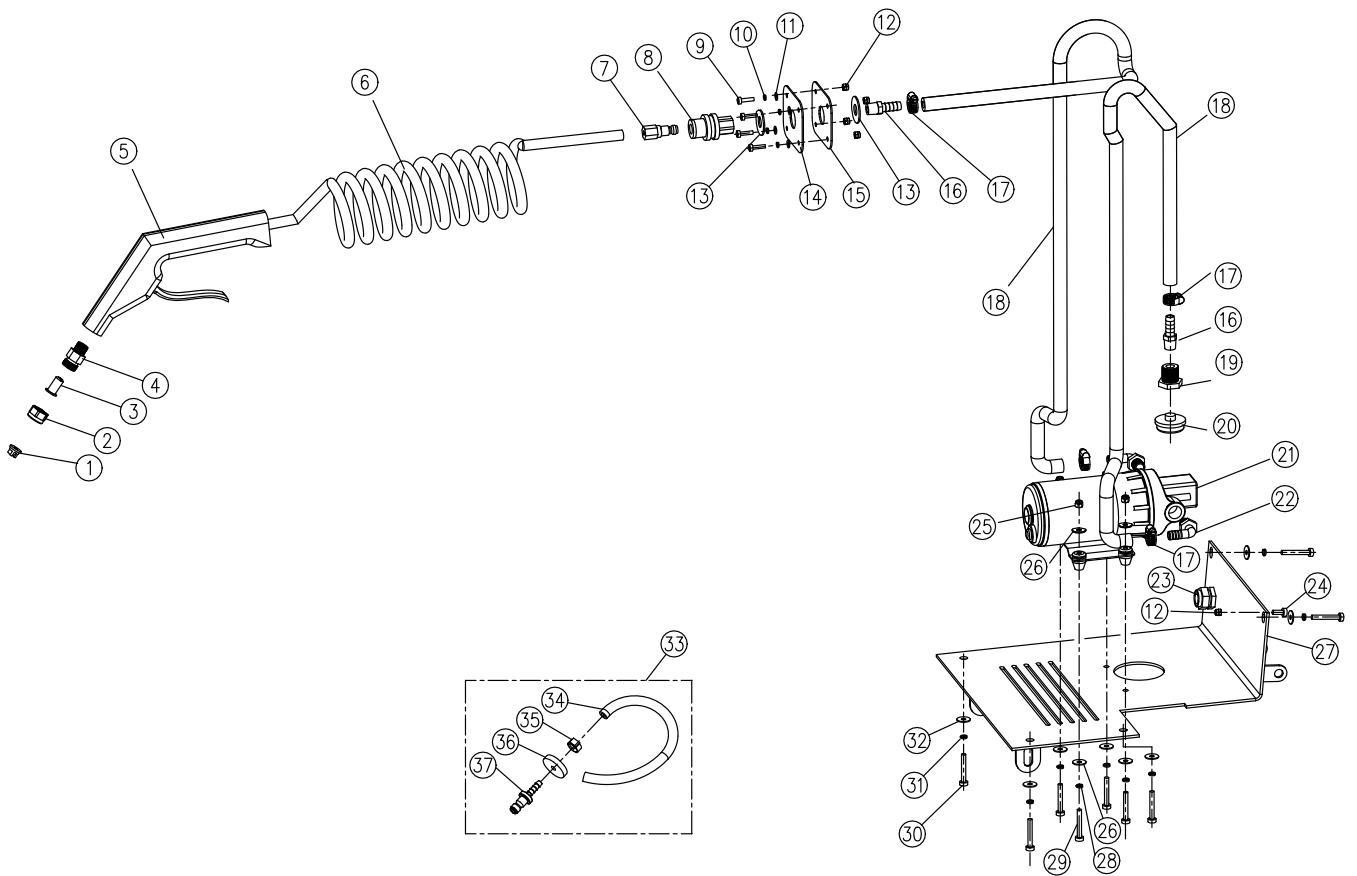


PARTS LIST

DIA NO	PART NUMBER	DESCRIPTION	NO REQ'D
1	2320202	Handle	1
2	2320405U	Cord	1
3	6210519U	Power Cord	1
4	2110108	Switch	1
5	6210123	Connector	1
6	2320409	Power Cord	1
7	2320411	Strain Relief	1
8	4020310	Strain Relief	1
9	1221510	Screw,Ph, M5 X 10	4
10	2320401	Panel, Switch	1
11	2320220	Bend	1
12	1321210	Screw, Ph, St4 X10	4
13	2320216	Clear Window	1
14	2320417	Warning Decal	1
15	2320218	Gasket, Clear Window	1
16	2030414	Warning Decal	1
17	2320416	Decal,Panel	1
18	2320217	Rubber Hinge	1
19	1421409	Washer,Plain, Φ 4.3X Φ 9X0.8	6
20	1221410	Screw, Ph, M4 X10	2
21	6150711	Stainless Steel Clip	2
22	2310125	Clamp, Hose	2
23	1221520	Screw, Ph, M5 X20	4
24	1436010	Retaining Ring, Φ 10	4
25	1421020	Washer,Plain, Φ 10.5X Φ 20X2	4
26	1422026	Washer, Lock, Φ 10	4
27	2320219	Knob	4
28	2320248	DRAIN HOSE	1
29	2320240	Bracket,Left, Handle	1
30	1222510	Screw,Fh, M5 X10	8
31	2310130	Clamp, Pick-up Tool	2
32	1221514	Screw, Ph, M5 X14	4
33	4010316	Logo	2
34	2320604U	Serial Decal	1
35	1962050	Clamp, Φ 27~ Φ 51	1
36	1021616	Screw,Hex, M6 X16	6

PARTS LIST

DIA NO	PART NUMBER	DESCRIPTION	NO REQ'D
37	1422616	Washer Lock Φ 6	2
38	1421622	Washer,Plain, Φ 8X Φ 28X3	2
39	2320223	Wheel,10"	2
40	2320312	Washer,Wheel,Al	2
41	2320211	Axle	1
42	1436013	External Retaining Ring Φ 13	2
43	2310139	Right Sticker	1
44	7000283	Cap	2
45	1421618	Washer,Plain, Φ 6.4x Φ 18x1.6	4
46	2320210	3.5" Caster	2
47	2320201	Tank	1
48	2310120	Silencer Cotton	1
49	2310140	Left Sticker	1
50	2320241	Bracket Right ,Handle	1
51	1422411	Lock Washer M4	2
52	1221412	Screw, Ph, M4 X12	2



PARTS LIST

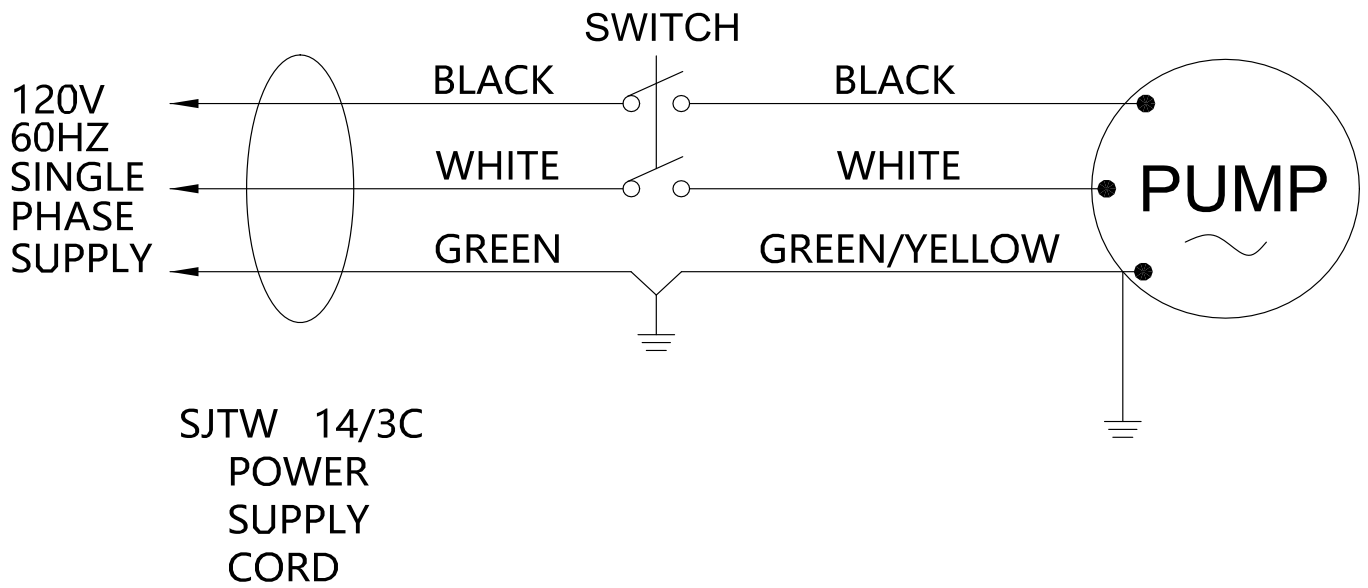
DIA NO	PART NUMBER	DESCRIPTION	NO REQ'D
1	6180575	Stainless steel nozzle	1
2	6210426	Cap(Include RUBBER WASHER)	1
3	6110421	Strainer-Brass	1
4	6210425	Adapter	1
5	6180102	Gun Shell	1
6	6180104	Coiled spray hose	1
7	6180103	Adapter	1
8	6180208	Coupler Quick Connect	1
9	1221420	Screw,RHM,M4X20,SST	4
10	1422411	Lock Washer M4	4
11	1421409	Washer,Plain, Φ 4.3X Φ 9X0.8	4
12	1123406	Nut Lock M4	5
13	1421132	Flat Washer Φ 13x Φ 32x1.5	2
14	6180101	Plate	1
15	2020206	Gasket,Intake	1
16	6180128	Barb Hose	2
17	1962016	Clamp, Hose 3/8"	4
18	1884001	Solution Hose ,3/8"	2.5m
19	6180125	Coupling	1
20	6110411	Strainer Line	1
21	6150195	Pump,120V,100PSI	1
22	6180210	Elbow Nylon 90 DEG	2
23	2320403	Strain Relief	1
24	1221410	Screw M4x10 PH	1
25	1123507	Nut Lock M5	4
26	1421515	Flat Washer M5x Φ 16x1.0	8
27	2320226	Bottom Plate, Assy	1
28	1422513	Lock Washer M5	4
29	1221530	Screw,M5 X 30,PH	4
30	1221616	Screw, Ph, M6 X16	5
31	1422616	Washer Lock Φ 6	5
32	1421617	Washer, Plain Φ 6.5X Φ 16X2	5
33	6210720	Bleeder Hose Assembly	1
34	1869611	PVC Hose	0.737m
35	6311008	Clamp	1
36	6311060	Washer, Rubber	1
37	6311080	Nipple, Plug. Brass	1

SPECIFICATIONS

TECHNICAL DATA	
Model	iW90 D.A.T.
Voltage	115Vac
Power	114W
Current	1.25A
Frequency	50-60Hz
Capacitor	20 Gallons
Pump	100PSI
Flow rate	1.4Gpm
Sound pressure level at workstation	40 dB(A)
Weight	84Lbs
Length of Power cord	50Ft
Dimensions	46.30in(L)x17.90in(W)x43.30in(H)

Wiring Diagram

iW90 D.A.T.



WEAR & TEAR PARTS

DIA NO	PART NUMBER	DESCRIPTION	NO REQ'D
1	2320210	3.5" Caster	2
2	2320223	Wheel,10"	2