

ProTeam ProVac® FS 6

107363* ProVac FS 6 w/Restaurant Tool Kit (100727)

The ProVac FS 6 is designed specifically to triumph over the demands of the foodservice and hospitality industry. The unit is virtually indestructible – without belts, beater bars or brushes. The ProVac FS 6 rises to any foodservice challenge.



Specifications

Weight:	11.8 lbs. / 5.35 kg.
Motor Airflow:	153 CFM
Static Lift:	91 in.
Motor:	1108 W / 9.5 A
Decibel:	69.7 dBA
Capacity:	6 qt. / 6,6 L
ProLevel Filtration® w/Four Levels of Filtration:	1054 sq. in. total area

**ProLevel Filtration System with HEPA Media

Captures 99.63% at 0.3-.5 microns per ASTM F3150

Limited Warranty

- 3 years parts, labor and motor on vacuum
- Limited lifetime on molded body parts



ERGONOMIC



CLEANING FOR HEALTH



EASY MAINTENANCE

*Standard Configuration

14" Hard Floor Tool w/Nylon Brush	14" Carpet Tool w/ Scallops
Two-Piece Aluminum Wand w/Button Lock	5" Upholstery Tool
10-pack Intercept Micro Filters	3" Dust Brush
Extra Micro Cloth Filter	11" Crevice Tool

Related Products

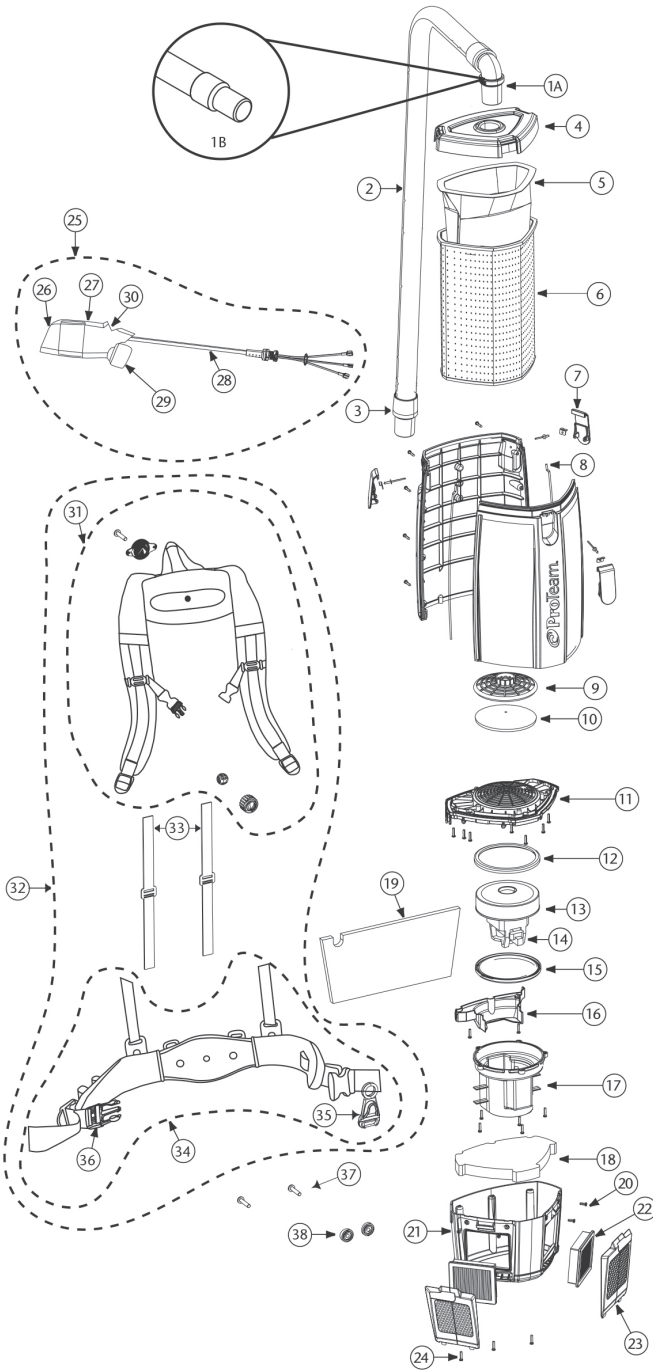
107314	Intercept Micro Filters, 10/pk (open collar)	\$22.58
107374	Intercept Micro Filters, 10/pk (closed collar)	28.59

Optional Configurations

107613	w/ProBlade® Carpet and Hard Surface Floor Tool Kit (107532)	\$805
--------	---	-------

**The filtration value of ProTeam's ProLevel Filtration System in this vacuum is achieved by the use of a multi-stage filtration system, including intercept micro filter, micro cloth filter, plastic cage with foam filter, and post-motor filter made from HEPA media, as tested per ASTM F3150. Specification calculations are based on average motor performance.

SUPER COACH PRO 6 & 10 / PROVAC FS 6 PARTS



No.	Product Name	Qty	List Price
1A	101928 Replacement Double Swivel Elbow Cuff	1 ea.	\$13.13
1B	100694 Replacement Double Swivel Straight Cuff (PV FS)	1 ea.	7.83
2	107648 48" Static-Dissipating Hose w/ Non-Replaceable Elbow & Straight Cuffs	1 ea.	39.67
	100505 48" Static-Dissipating Hose w/Straight Cuffs (PV FS)	1 ea.	37.92
3	100694 Replacement Double Swivel Straight Cuff	1 ea.	7.83
4	833948 Top Cap (Purple)	1 ea.	49.37
	833948-1 Top Cap (Black) (PV FS)	1 ea.	49.37
5	107313 Intercept Micro Filter (SCP 10)	10/pk	27.32
	107314 Intercept Micro Filter (SCP 6 & PV FS)	10/pk	22.58
6	834000 Micro Cloth Filter (SCP 10)	1 ea.	42.86
	834072 Micro Cloth Filter (SCP 6 & PV FS)	1 ea.	35.40
7	510179 Latch and Retainer w/Lock Nut & Screw	1 set	10.57
8	510180 Gasket for Tank (SCP 10)	2 ea.	6.67
	510181 Gasket for Tank (SCP 6 & PV FS)	2 ea.	4.92
9	510183 Dome Filter w/Foam Media (includes: 10)	1 set	11.43
10	510184 Foam Filter Media for Dome Filter	1 ea.	3.48
11	510193 Upper Motor Support w/Gasket	1 set	10.61
12	833951 Upper Motor Gasket	1 ea.	4.09
13	836099 Motor/Fan (120 V) (Wolong)	1 ea.	171.13
14	841933 Carbon Brush Set (Wolong)	1 set	30.37
	101720 Carbon Brush Set (Ametek)	1 set	30.37
15	833952 Lower Motor Gasket	1 ea.	3.64
16	510185 Cover Wire w/2 screws	1 set	3.73
17	510194 Lower Motor Support (5 screws)	1 set	18.99
18	834042 Triangular Lower Foam Pad	1 ea.	4.22
19	834043 Rectangular Upper Foam Pad	1 ea.	3.87
20	808380-0 Screw Pan CR #8 x 1/2"	1 ea.	1.26
21	510188 Lower Housing Assembly w/Screws	1 set	34.46
22	107315 Exhaust Filter made from HEPA Media (2 pack)	1 set	16.73
23	841708 Exhaust Filter Door w/Latch	1 ea.	10.12
24	808380-22 Screw Pan CR #8 x 3/4"	1 ea.	1.54
25	836225-1 Switch Cord and Power Cord Assembly (includes: 26-30) (PV FS)	1 set	57.89
	836225 Switch Box, Full Assembly (without power receptacle)	1 set	43.42
26	106066 On/Off Switch	1 ea.	10.35
27	836554-1 Switch Box (PV FS)	1 ea.	34.97
	836554 Switch Box (without power cord)	1 ea.	15.22
28	836480 Power Cord Assembly	1 ea.	14.47
29	841724 Power Plug Assembly	1 ea.	7.74
30	836478 Electrified Hose Receptacle (PV FS)	1 ea.	9.73
31	840112 Upper Harness Assembly	1 set	102.16
32	840011 FlexFit Harness Assembly (includes: 31, 33-34)	1 set	219.35
33	510192 Tensioning Straps	1 set	14.47
34	840114 Lower Harness Assembly (includes: 35, 36)	1 set	102.76
35	510738 Cord Holder	1 ea.	3.87
36	510301 Waist Belt Buckles and Straps Set	1 set	16.67
37	834051 5/16" - 18x1 - 3/8" Lock Screw (2 screws)	1 set	7.04
38	510186 Harness Spacers	2 ea.	4.48
	101678 50' Extension Cord (Not Shown)	1 ea.	48.66

To order parts go to www.unoclean.com or call: 224-654-6500