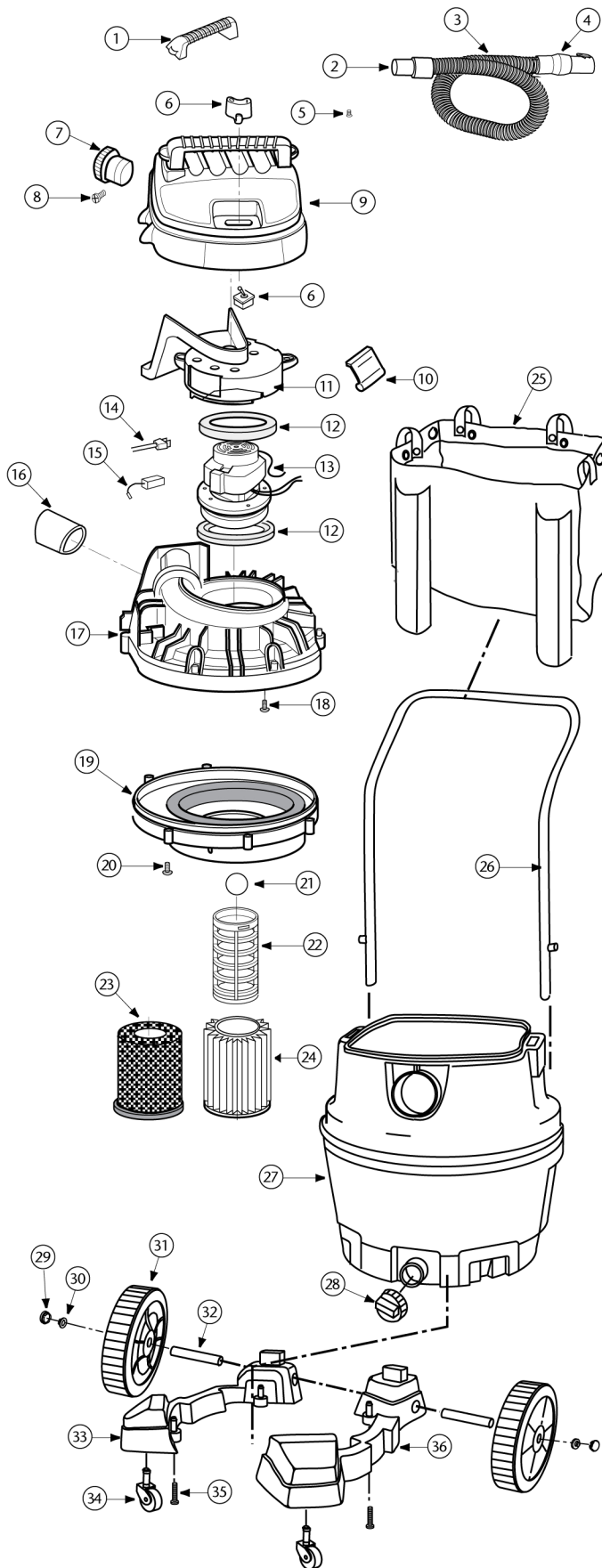


PROGUARD 16 MD PARTS



No.	Product Name	Qty
1	830565-2 Handle Motor Cover	1 ea.
2	831577 Swivel Hose Cuff	1 ea.
3	831337-6 Hose Assembly w/ Cuffs	1 ea.
4	829900 Locking Ring Cuff	1 ea.
5	820563-4 Screw Type AB #10 x 3/4"	1 ea.
6	510127 Switch Assembly	1 ea.
7	833600 Diffuser Assembly	1 ea.
8	820563-4 Screw Type AB #10 x 3/4"	1 ea.
9	510286 Motor Cover Assembly	1 ea.
10	826387 Drum Latch	1 ea.
11	831651 Duct Motor Exhaust/Cooling Fan	1 ea.
12	827415 Gasket Motor	1 ea.
13	831567 Motor Assembly Complete	1 ea.
14	831657-1 Power Cord Assembly	1 ea.
15	822374-8 Carbon Brush Set	1 set
16	830609 Exhaust Foam Pad	1 ea.
17	831653-1 Lid	1 ea.
18	826453-2 Screw 10-32 x 3/4"	1 ea.
19	831659 Collector Assembly	1 ea.
20	820563-4 Screw Type AB #10 x 3/4"	1 ea.
21	833778 Ball Float	1 ea.
22	830101-1 Filter Cage	1 ea.
23	107177 Quick Lock Wet Filter	1 ea.
24	107175 Qwik Lock Fine Dust Cartridge Filter	1 ea.
25	831668-1 Tote	1 ea.
26	830686 Handle	1 ea.
27	831660-2 Dust Drum Assembly	1 ea.
28	73185 Drain Cap	1 ea.
29	830611 Wheel Cap	1 ea.
30	813836-1 Cap Nut 1/2"	1 ea.
31	832190 8" Wheel Assembly (Includes: #29, 30)	1 ea.
32	831024 Shaft	1 ea.
33	830577 Caddy, Left	1 ea.
34	832123 Caster	1 ea.
35	820563-5 Screw Type "AB" #10 x 1-3/4"	1 ea.
36	830576 Caddy, Right	1 ea.
509944	Bag of Loose Parts (Not Shown) (includes: #29, 30, 34, 35)	1 kit