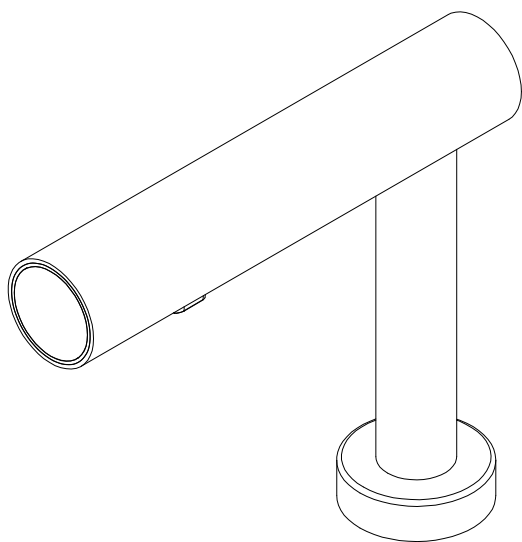


High Speed **Hand Dryer** Deck-Mounted



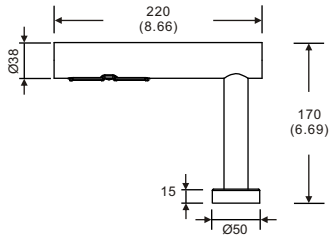
To Order Call: 224-654-6500 www.UNOCLEAN.com

Model : EcoTap-D HD

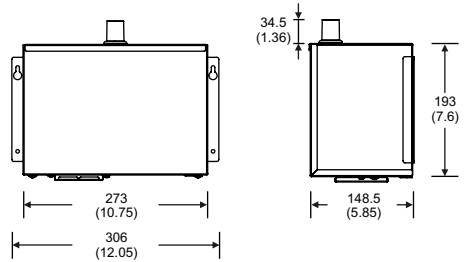
Operating Instructions and Parts Manual (Automatic)

Unit Size: mm (Inch)

Spout



Cover



TECHNICAL SPECIFICATIONS

ITEM CATEGORY

PERFORMANCE DATA

Operating Voltage	110-120 Vac, 50/60 Hz, 7.6-8.4 A, 0.84-1.0 kW 220-240 Vac, 50/60 Hz, 3.8-4.2 A, 0.84-1.0 kW
Warm Air Speed Output	84-101 m/s [187.9-225.9 mi/h]
Air Output Temperature	57 °C [122 °F] – Ambient Temp. 25 °C [77 °F]
Dryer Shall Deliver	108 m ³ /h, (64 CFM)
Motor Type	500 W, 22,000-29,000 R.P.M. , Brush Type, Dual Ball Bearings
Motor Thermal Protection	Auto Resetting Thermostat turns unit off at 95 °C [203 °F]
Heater Element	100-500 W, depending on room temperature
Heater Thermal Protection	Thermal cut-off at 85 °C [185 °F]
Drying Time	Less than 15 seconds
Stand-by Power	0.3-0.4 W
Circuit Operation	Infrared Automatic, self adjusting
Sensor Range	4" to 9" [100 mm to 230 mm], Adjustable; standard 5.12" [130 mm ± 20 mm]
Timing Protection	60 seconds auto shut off
Drip proof	IP35 ●
Isolation	CLASS 1
Net Weight	5.6 kg [12.3 lbs]
Shipping Weight	8.1 kg [17.9 lbs]
Spout Type	Stainless steel (#304), Satin finished (t:3.0 mm & 1.5 mm)
Dryer Body Cover Type	Stainless steel (#304), Satin finished (t:1.2 mm)
Spout Size	170 mm (W) x 50 mm (H) x 220 mm (D) [6.69" (W) x 1.97" (H) x 8.66" (D)]
Dryer Body Size	306 mm (W) x 193 mm (H) x 148.5 mm (D) [12.05" (W) x 7.6" (H) x 5.85" (D)]

General Safety Information

⚠ WARNING This product is intended for installation by a qualified service person. Use 2.08 mm² solid (AWG NO.14) conductor for wiring.

⚠ WARNING Disconnect power at the service breaker before installing or servicing. **NOT FOR HOUSEHOLD USE - MAY CAUSE BURNS.**

⚠ DANGER Failure to properly ground unit could result in severe electrical shock and/or death.

⚠ WARNING All units must be supplied with a 3-wire service. The ground wire must be connected to the dryer's backplate.

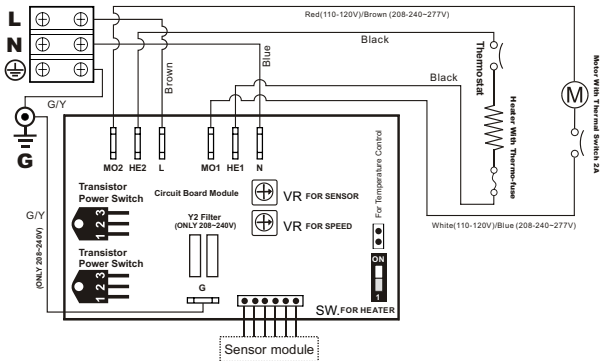
[Type Y attachment]

If the power supply cord is damaged, it must be replaced by the manufacturer or its service agent or a qualified person in order to avoid a hazard. Disconnect the fixed wiring only in accordance with the wiring rules.

This appliance is not intended for use by persons (including children) with reduced physical, sensory or mental capabilities, or lack of experience and knowledge, unless they have been given supervision or instruction concerning use of the appliance by a person responsible for their safety.

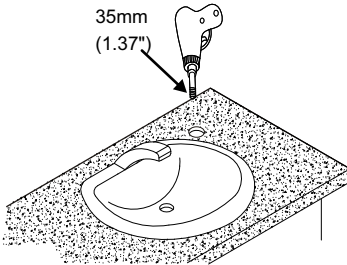
Children should be supervised to ensure that they do not play with the appliance.

Circuit Diagram

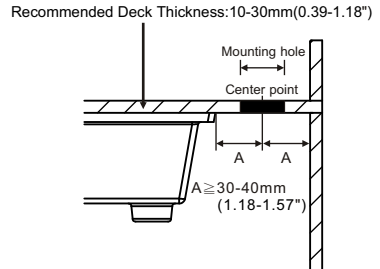


Installation

1. Drill a hole (size:35mm/ 1.37") on the basin. Installation location to be decided by the site owner.

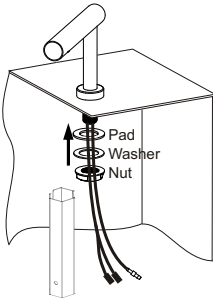


2. The center of the mounting hole to the edge of the basin and to the edge of the wall should be at least 30-40mm(1.18-1.57"). Otherwise the mounting nut would not fit.

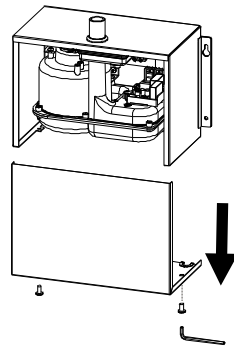


3. Mounting steps of the spout:

- A. Insert the shaft of the spout through the hole on the basin.
- B. Thread in the rubber pad, the stainless steel washer, and the plastic mounting nut.
- C. Fasten with the hex tool.

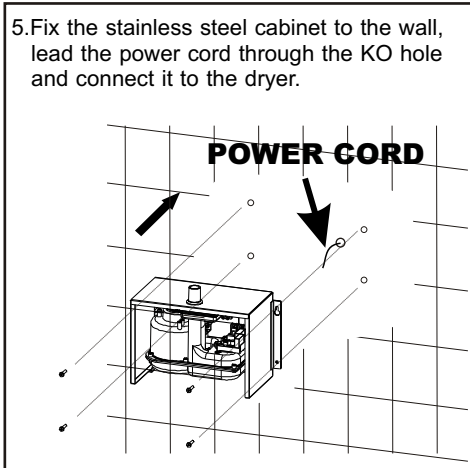


4. Remove two screws from the cover.



Installation

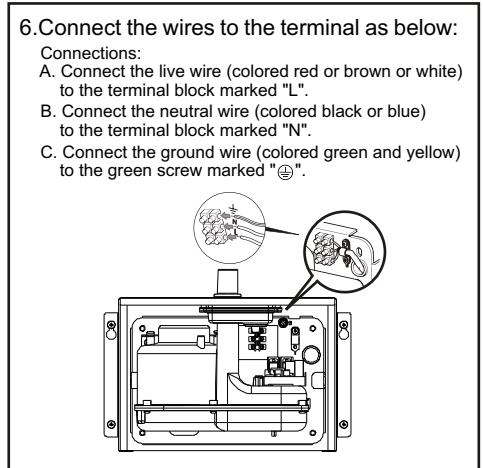
5. Fix the stainless steel cabinet to the wall, lead the power cord through the KO hole and connect it to the dryer.



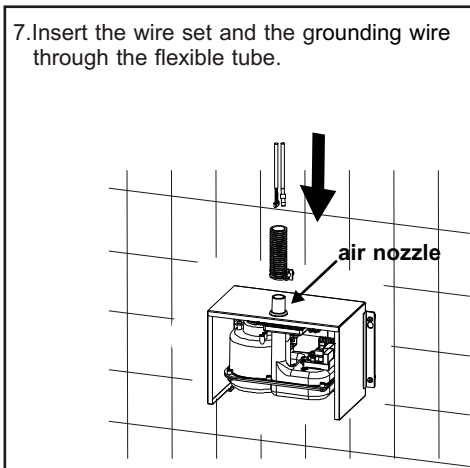
6. Connect the wires to the terminal as below:

Connections:

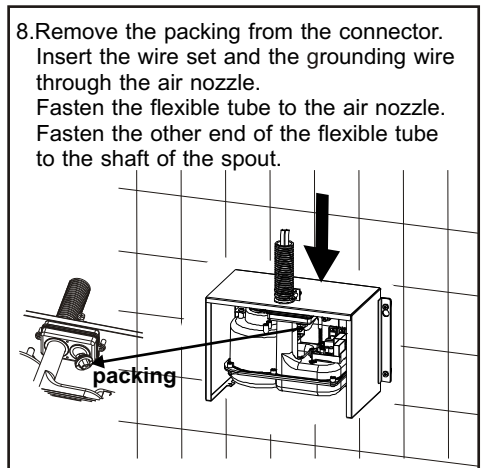
- A. Connect the live wire (colored red or brown or white) to the terminal block marked "L".
- B. Connect the neutral wire (colored black or blue) to the terminal block marked "N".
- C. Connect the ground wire (colored green and yellow) to the green screw marked "⊕".



7. Insert the wire set and the grounding wire through the flexible tube.

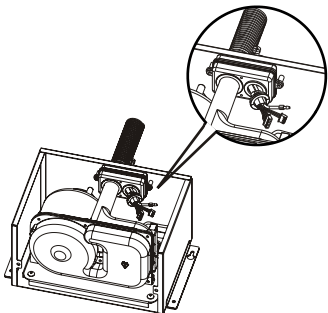


8. Remove the packing from the connector. Insert the wire set and the grounding wire through the air nozzle. Fasten the flexible tube to the air nozzle. Fasten the other end of the flexible tube to the shaft of the spout.

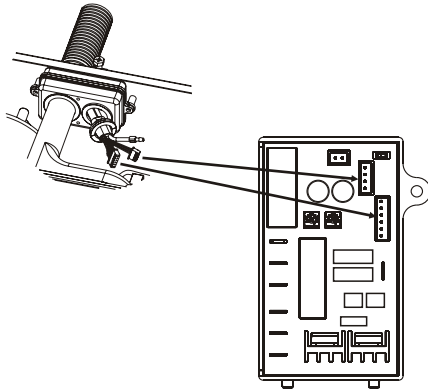


Installation

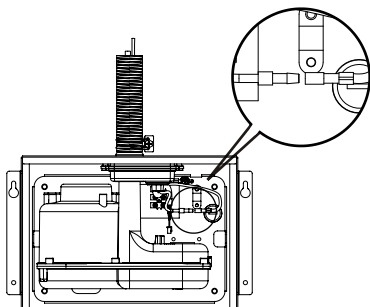
9. Encase the packing onto the wire set and the grounding wire.
Reposition the packing to the connector.



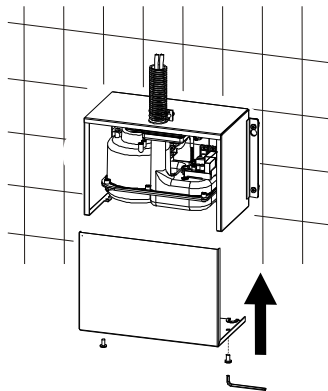
10. Connect the wire set (including the sensor wire and the LED wire) to the CBM.



11. Connect the grounding wire.

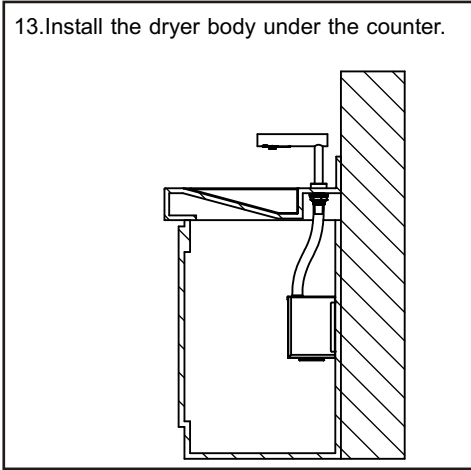


12. Fasten two screws on the cover.

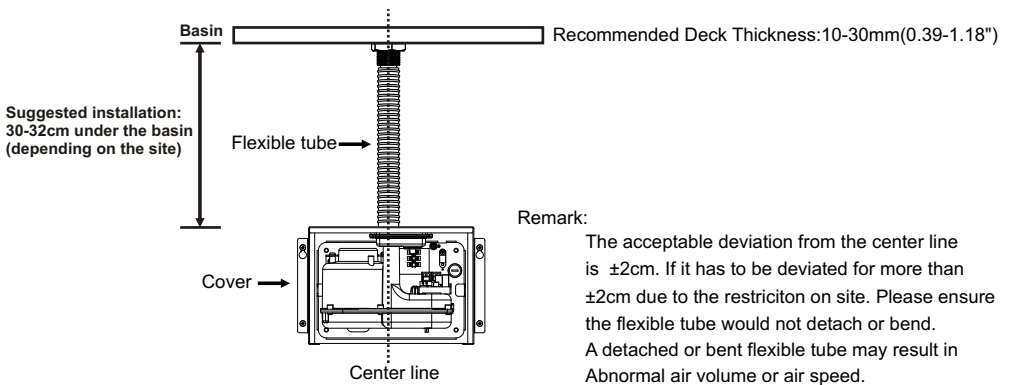


Installation

13. Install the dryer body under the counter.



Installation Height



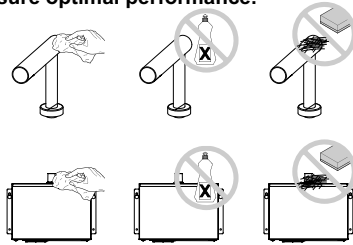
Operation

- No-touch operation.
- Shake excess water from hands.
- Place hands under the outlet to start operation.
- Rub hands lightly and rapidly.
- Stops automatically after hands are removed.

Cleaning and Maintenance

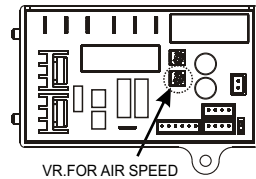
Periodic cleaning of the unit is recommended to ensure optimal performance.

- Disconnect the electrical supply.
- Remove the two cover-mounting screws.
- Remove the cover from the dryer body.
- Clean the inside of the dryer and remove any dust or lint.
- Do not flush with water.
- Wipe the cover with a damp cloth and mild cleaning solution. Do not Soak. Never use abrasives to clean the cover.
- Replace the cover. Do not over tighten the screws.



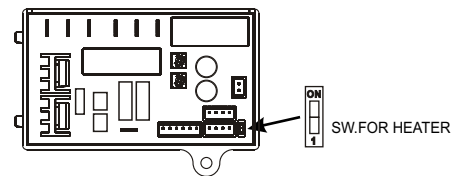
Warm Air Speed Adjustment

1. Switch off the power, remove the cover screws and the cover.
2. Use a small Philips head screwdriver or a plastic flat blade probe to turn the VR shaft. Clockwise [CW] to increase power to maximum (+) ↻, [CCW] to reduce power as needed (-) ↻.



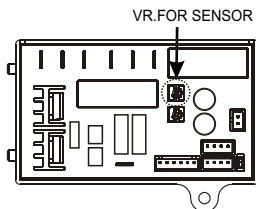
Heater Element Switch ON/ OFF

1. Switch off the power, remove the cover screws and the cover.
2. Adjust the heater switch on the CBM with a small plastic or wooden flat blade probe.
 - 2-1. Slide the switch to "ON" : heater on.
 - 2-2. Slide the switch to "1" : heater off.



Sensor Range Adjustment

1. The range is 4" to 9" [100 mm to 230 mm], standard setting is 5.12" [130 mm ± 20 mm]
2. Clockwise: Increases the sensing range(+) ↻.
3. Counterclockwise: Decreases the sensing range(-) ↻.
4. DO NOT OVERTURN!



Diagnostics and Remedies

Symptoms	Corrective Actions for Initial Installation Failures
If the dryer will not run	First ensure that the breaker supplying the dryer is operational. If it is, disconnect the power and remove the dryer cover. Take suitable precautions to avoid shock hazard. Reconnect the power and check for voltage at the terminal block. Verify that connections are made correctly.
The dryer cycles by itself or runs constantly	Ensure that there is no obstruction on or in front of the IR sensor. Clean any dirt or debris off the sensor lens. If the problem persists, contact the distributor for assistance.
The dryer makes a loud noise and does not run for a complete cycle	Ensure that the supply voltage is correct. Dryer will make a loud humming noise if the input voltage is too high. Verify voltage requirement on the unit rating label and the correct power supply as required. If the problem persists, contact the distributor for assistance.
The dryer runs but air stream is of low pressure and/or low velocity	Ensure that the supply voltage is correct. Dryer will run weakly if the input voltage is too low. Verify voltage requirement on the unit rating label and the correct power supply as required.

Symptoms	Corrective Actions for In-Service Failures
If the dryer will not run	First ensure that the breaker supplying the dryer is operational. If it is, disconnect the power and remove the dryer cover. Replace the CBM and the IR sensor module. Take suitable precautions to avoid shock hazard. Reconnect the power and check for voltage at the terminal block.
The IR sensor only "sees" close range objects	<ol style="list-style-type: none"> 1.Ensure that there is no obstruction on or in front of the IR sensor. Clean any dirt of debris off the sensor lens. 2.Remove objects under the sensor if any. Disconnect power and reconnect it to reset the auto-detecting sensing range. 3.Check the VR for the sensing range setting. 4.If the problem persists, contact the distributor for assistance.
The heater gets hot but no air stream is produced or the air stream is of low pressure and velocity	Disconnect the power. Remove the dryer cover and disassemble the blower-motor/fan housing. Replace the fan motor.
The dryer only blows cold air during a full cycle	Disconnect the power. Remove the dryer cover and disassemble the blower-motor/fan housing. Test the thermostat for open circuit. Check the heater element for signs of burning or breakage. Damaged element must be replaced.

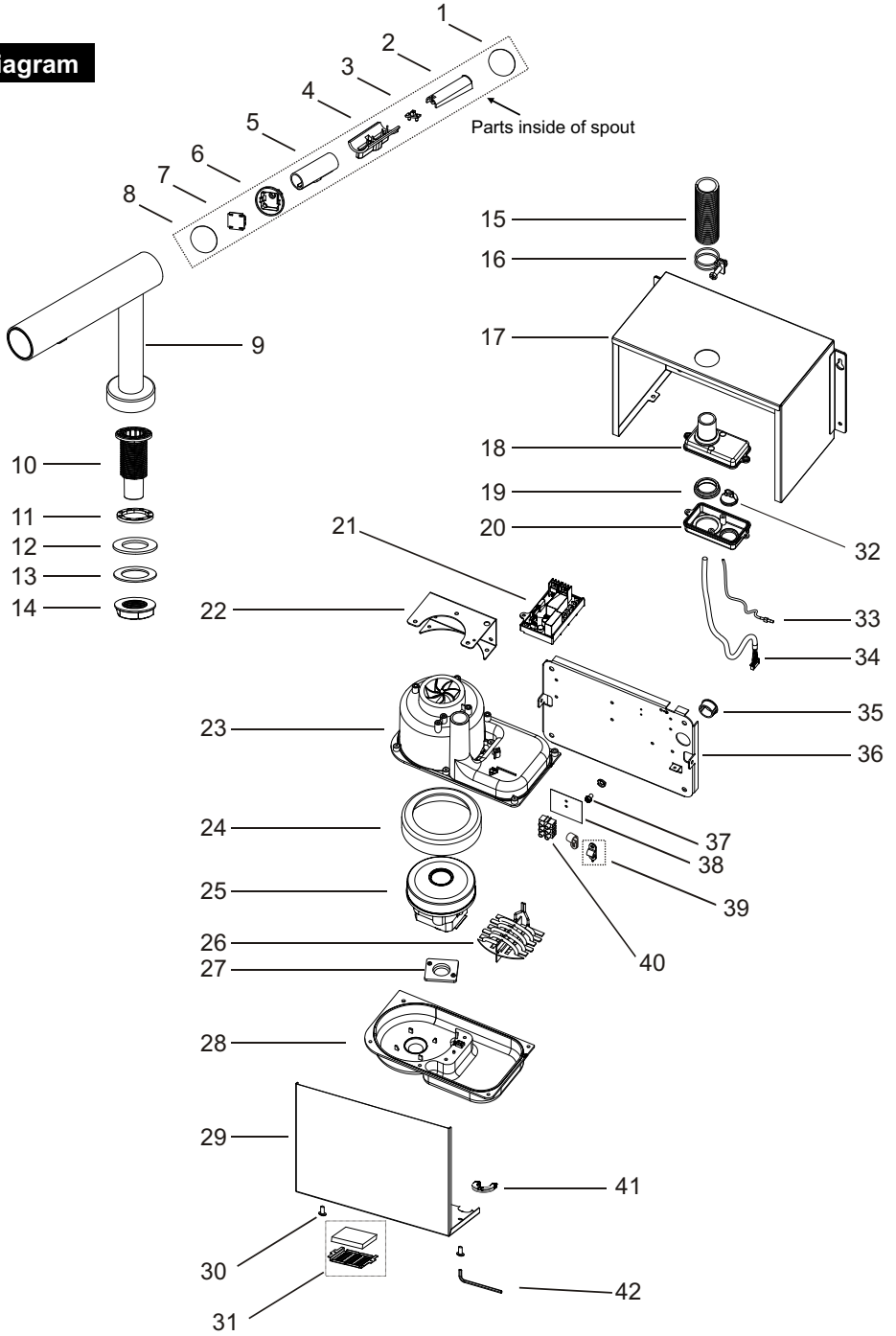
Important Information

This Product falls within the scope of the Waste Electrical & Electronic Equipment Directive 2002/96 EC. (WEEE)



NOTE:
 This Product should not be disposed of with household waste. Please recycle where facilities exist. Check with your local authority for recycling advice.

Diagram



Repair Parts List

Key	Description
01	Name plate (back)
02	Air outlet mounting set (upper)
03	Sensor
04	Air outlet
05	Air outlet rubber
06	Light leading pad
07	LED light panel
08	Name plate (Front)
09	Spout
10	Air outlet shaft
11	Tap pad
12	Pad
13	Washer
14	Air outlet shaft screw nut
15	Flexible tube (30cm)
16	Stainless Steel Hose Clamp (2 reqd.)
17	Stainless steel cabinet
18	Top cap of connector
19	Packing of connector
20	Bottom cap of connector
21	Circuit Board Module
22	Blower mounting bracket
23	Blower housing (Below)
24	Motor rubber (Below)
25	Motor
26	Heater assembly
27	Motor rubber (Upper)
28	Blower housing (Upper)
29	Cover
30	Security hex screw (2 reqd.)
31	Filter assembly
32	Packing for wire assembly of sensor & grounding wire
33	Grounding wire
34	Sensor wire
35	Nylon hole bushing
36	Base plate
37	Grounding Screw
38	Insulation Mylar
39	Cable clamp
	Cable clamp - EU
40	Terminal block
41	Cable Protector
42	L KEY

