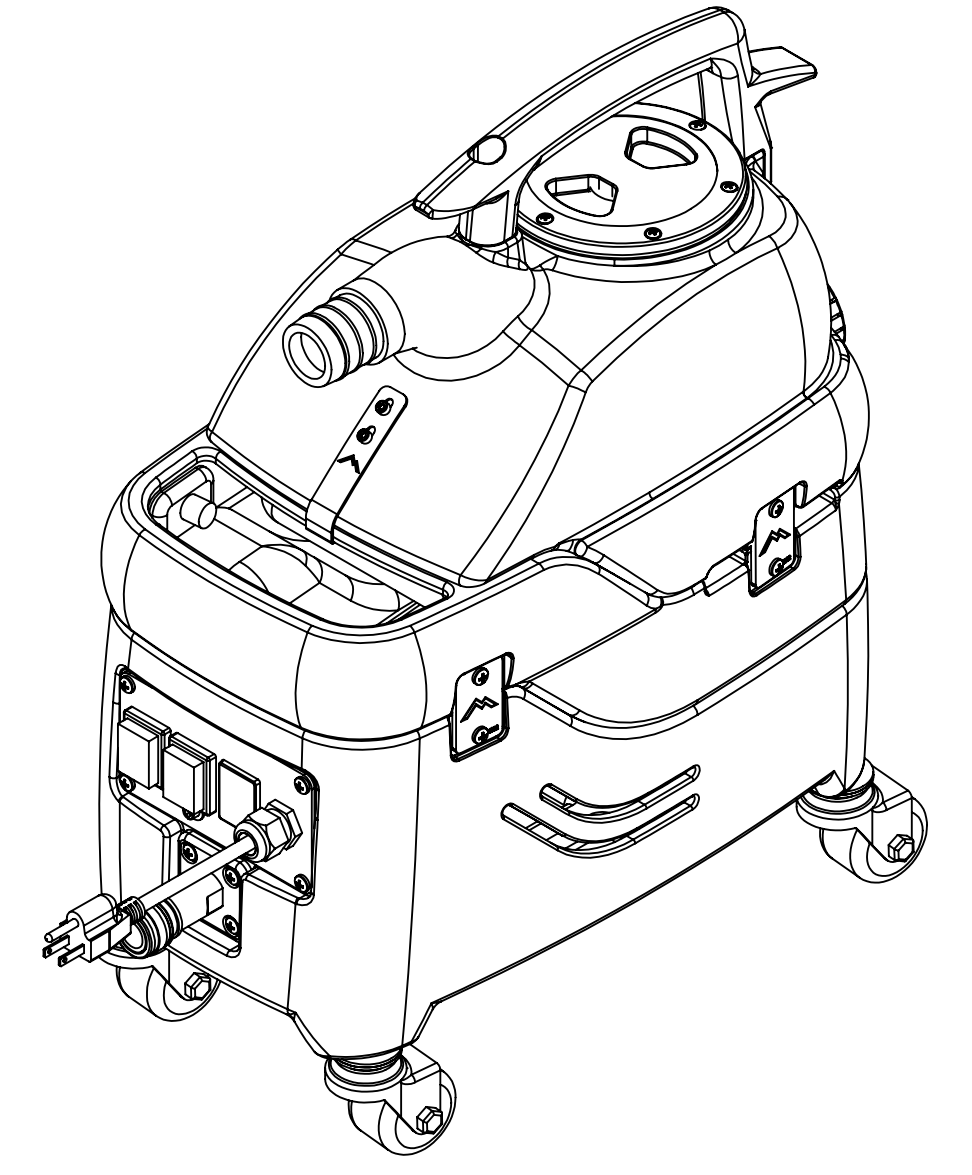


ITEM NO.	PART NO.	DESCRIPTION	QTY.
1	H246	screw, 8-32 x 3/8" SHCS, alloy, Black	2
2	H451	latch, S-300H	1
3	H770	bolt, 1/4-20 x 1/2" serrated hex flange, zinc	2
4	H611	handle, S-300H, black	1
5	H304	screw, #8 x 5/8", phil oval, self tapping, s/s	6
6	G030	lid, vac tank, 3.5", clear	1
7	G058	vac tank deflector	1
8	G217	filter, foam, 1.33" x .50"	1
9	G216	filter, screen mesh, 1.33" x 8 mesh	1
10	P639	adapter, pvc, 1" fslip x 3/4" mpt	1
11	H097	washer, 1" ID x 1.5" OD x .075", flat, s/s	2
12	P610	vac tank, S-300H	1
13	G036	cap, 2.5" threaded, tethered	1
14	P640	adapter, pvc, 3/4" fslip x 3/4" fpt	1
15	G004	gasket, vacuum motor	2
16	C316	vac motor, 2 stage, 115V, peripheral	1
17	H404	nut, hex, 3/8" - 16	4
18	H384	washer, 3/8 flat, s/s	4
19	H299	washer, 11/16" id x 1-1/2" od x .075, s/s	8
20	H637	caster, swivel, stem, 2", w/out lock	4
21	H273	nut, kep, #10-32 zinc	8
22	H484	plate, mounting, QD	1
23	H256	screw, 10-32 x 3/4" phil pan head	6
24	H221	nut, lock, 1/2" steel, electrical	1
25	H289B	washer, 10 flat, black	1
26	H389	screw, 10-32 x 1/2" SHCS, alloy	1
27	H220	fitting, strain relief, cord	1
28	E533	power cord, male end, blue lit, 25', 16/3, sjtw solid jacket	1
29	P967A	plug, switch	1
30	E515	switch, rocker, 2 position	2
31	H029	screw, plastite, 10 x 1/2", s/s	4
32	H310	plate, switch, MyteeLite, 3 hole	1
33	B102	quick disconnect, 1/4" fqd x 1/4" fpt	1
34	B166	fitting, brass, 1/4" mpt x 1/4" push-in	2
35	P612	base, S-300H	1
36	PH657-4	tubing, 1/4", nylon, blk	1
37	B140	connector, 1/4" push-in x 1/8" mpt	2
38	C378	pump, 55psi, 115V flojet	1
39	H250	bracket, set 55 psi pump	2
40	B119	filter, strainer, 1/4"	1
41	B107	nipple, hex, 1/4" mpt x 1/4" mpt	1
42	H212	flat washer, 9/16" ID x 1 1/16" OD, AN960-C916	3
43	P611	sol tank, S-300H	1
44	B207	elbow, brass, 90 deg, 1/4" fpt x 1/4" fpt	1
45	PH657-14	tubing, 1/4", nylon, blk	1
46	H230	screw, 10-32 x 1/2", phil pan head, s/s	10
47	H312	plate, connecting, MyteeLite	5

To Order Call: 224-654-6500 www.UNOCLEAN.com

REVISIONS			
REV.	DESCRIPTION	DATE	APPROVED
OD	ORIGINAL DRAFT	2/2016	JFL
A	UPDATED PLUMBING	11/14/2016	ML

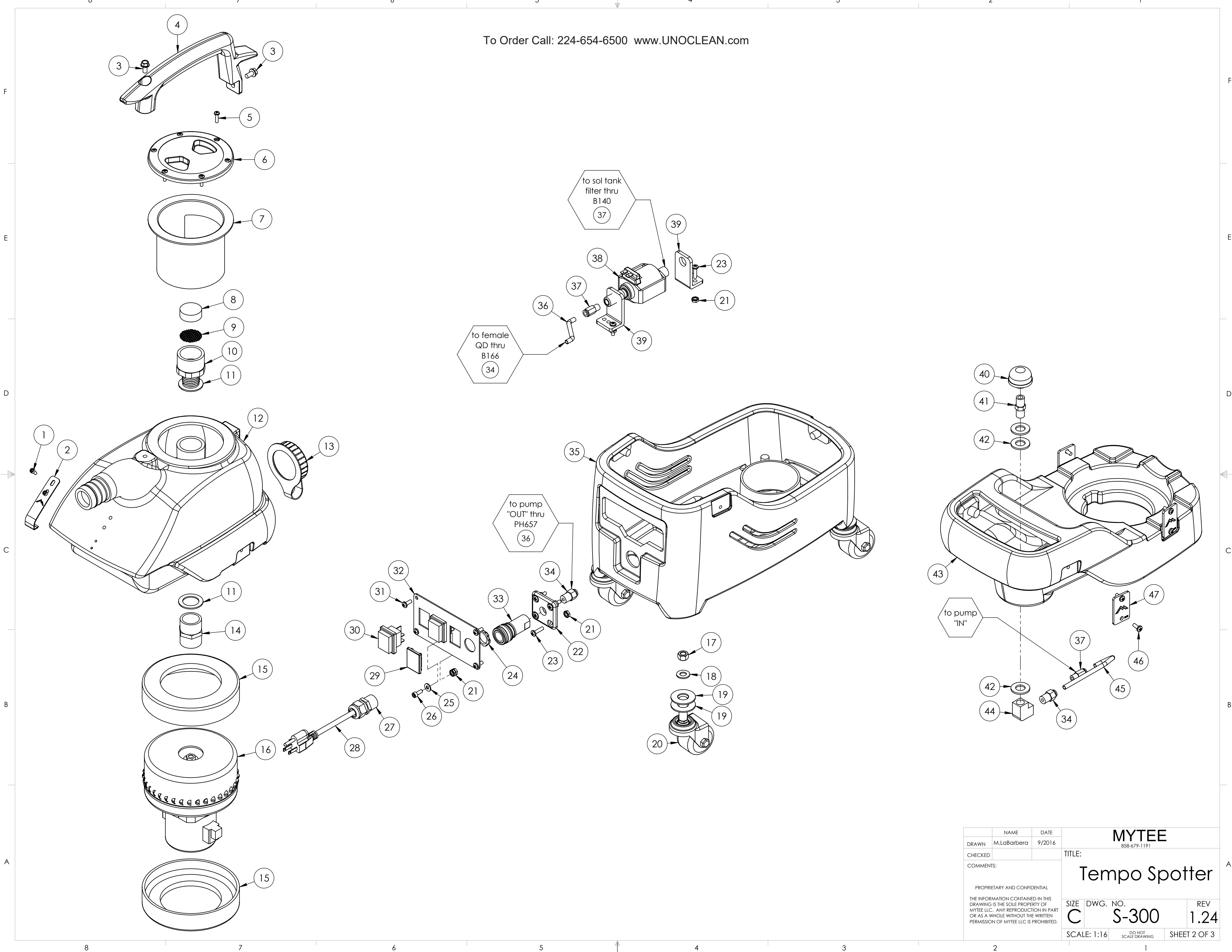


ITEMS NOT SHOWN

PART NO.	DESCRIPTION	QTY.
E395	harness, electrical, S-300	1

DRAWN	M.LaBarbera	DATE	9/2016	MYTEE 858-679-1191	
CHECKED		TITLE:			
COMMENTS:				Tempo Spotter	
<small>PROPRIETARY AND CONFIDENTIAL THE INFORMATION CONTAINED IN THIS DRAWING IS THE SOLE PROPERTY OF MYTEE LLC. ANY REPRODUCTION IN PART OR AS A WHOLE WITHOUT THE WRITTEN PERMISSION OF MYTEE LLC IS PROHIBITED.</small>				SIZE C	DWG. NO. S-300
				REV 1.24	SCALE: 1:16 <small>DO NOT SCALE DRAWING</small>
				SHEET 1 OF 3	

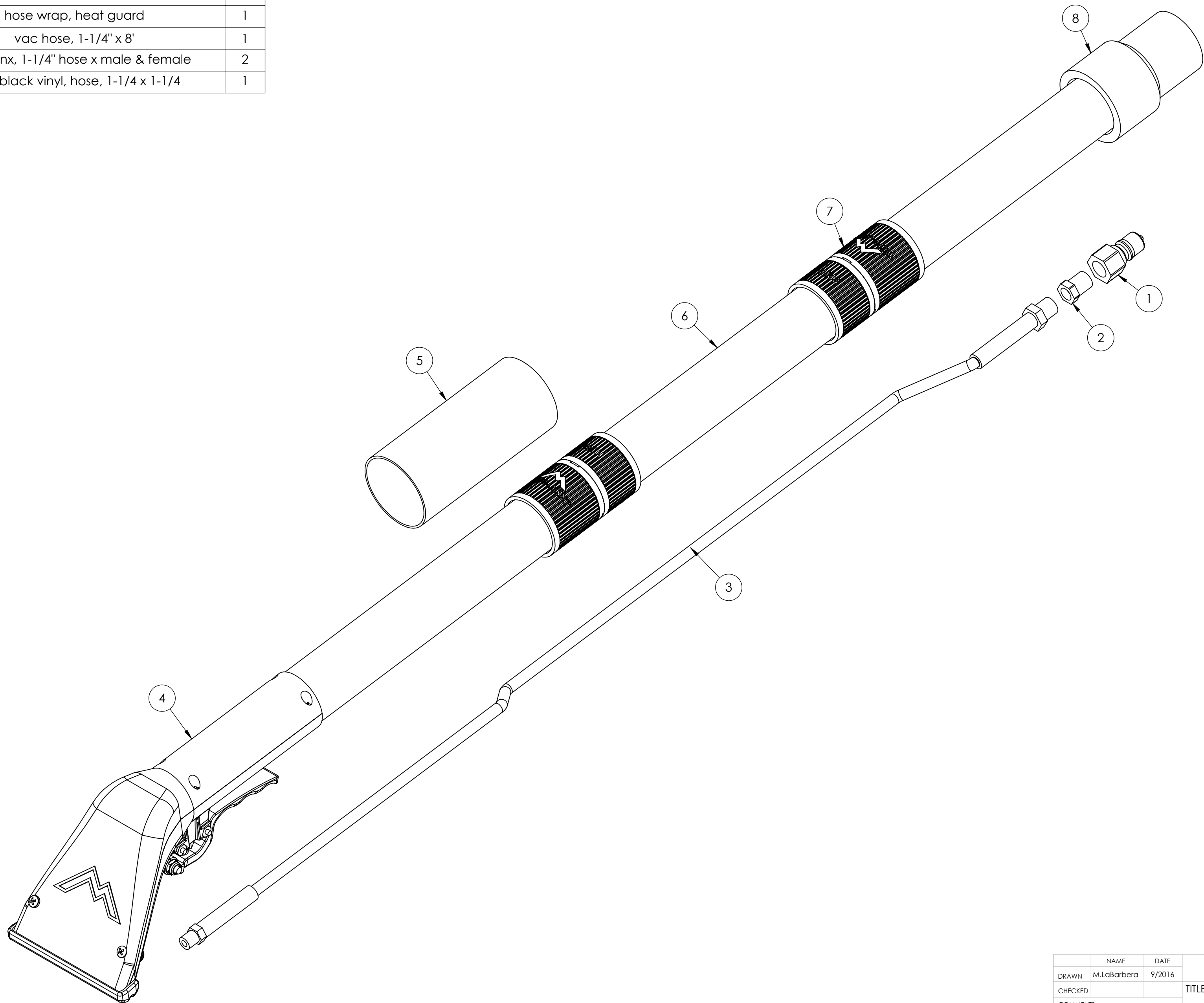
To Order Call: 224-654-6500 www.UNOCLEAN.com



	NAME	DATE	MYTEE 858-679-1191		
DRAWN	M.LaBarbera	9/2016			
CHECKED			TITLE:		
COMMENTS:			Tempo Spotter		
<small>PROPRIETARY AND CONFIDENTIAL THE INFORMATION CONTAINED IN THIS DRAWING IS THE SOLE PROPERTY OF MYTEE LLC. ANY REPRODUCTION IN PART OR AS A WHOLE WITHOUT THE WRITTEN PERMISSION OF MYTEE LLC IS PROHIBITED.</small>			SIZE	DWG. NO.	REV
			C	S-300	1.24
			SCALE: 1:16	DO NOT SCALE DRAWING	SHEET 2 OF 3

ITEM NO.	PART NO.	DESCRIPTION	QTY.
1	B101	quick disconnect, 1/4" mqd x 1/4" fpt	1
2	B104	bushing, brass, 1/4" mpt x 1/8" fpt	1
3	AH135	sol hose, 1/8" x 97", 1/8 mpt x 1/8 mpt	1
4	8400P	Air Lite	1
5	G079	hose wrap, heat guard	1
6	H360	vac hose, 1-1/4" x 8'	1
7	H133	Cuff-Lynx, 1-1/4" hose x male & female	2
8	H943	cuff, black vinyl, hose, 1-1/4 x 1-1/4	1

To Order Call: 224-654-6500 www.UNOCLEAN.com



	NAME	DATE	MYTEE 858-679-1191		
DRAWN	M.LaBarbera	9/2016			
CHECKED			TITLE:		
COMMENTS:			Tempo Spotter		
PROPRIETARY AND CONFIDENTIAL THE INFORMATION CONTAINED IN THIS DRAWING IS THE SOLE PROPERTY OF MYTEE LLC. ANY REPRODUCTION IN PART OR AS A WHOLE WITHOUT THE WRITTEN PERMISSION OF MYTEE LLC IS PROHIBITED.			SIZE	DWG. NO.	REV
			C	S-300	1.24
			SCALE: 1:16	DO NOT SCALE DRAWING	SHEET 3 OF 3