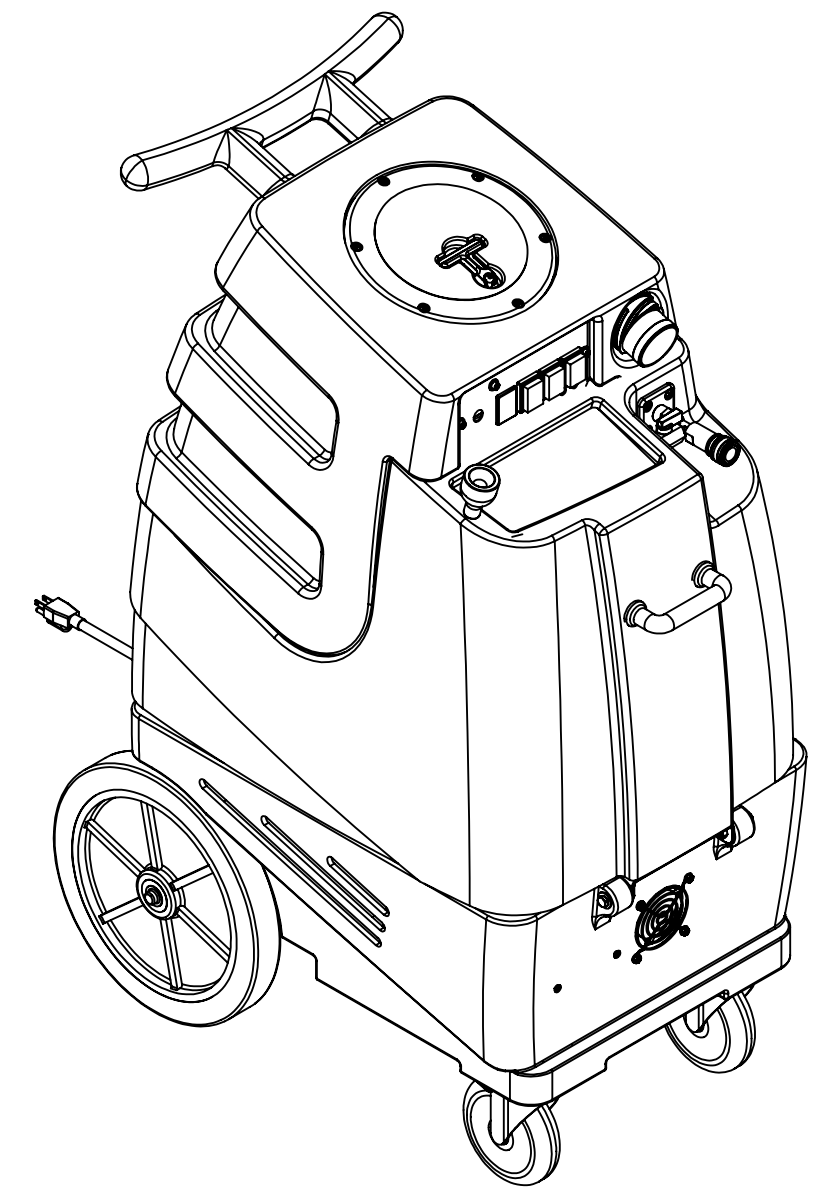


ITEM NO.	PART NO.	DESCRIPTION	QTY.	MSRP
1	C317	fan, cooling, 115V	1	\$21.49 ea
2	H343	screw, #10 x 5/8" hex head, zinc	12	\$0.99 ea
3	H296	guard, cooling fan, wire	3	\$2.99 ea
4	H186	screw, 10-32 x 3/4, phil flat full thread	2	\$0.99 ea
5	E370	controller, water level, dual pump or vac	1	\$94.99 ea
6	H273	nut, kep, #10-32 zinc	8	\$0.99 ea
7	H033	plastite screw, 1/4 x 3/4"	8	\$2.99 ea
8	H666	caster, 5", Black hub & gray tread	2	\$23.19 ea
9	H371	axle, 18.25" x .50" dia	1	\$9.99 ea
10	H254	washer, axle, cut 1/2" id	4	\$0.99 ea
11	H251	wheel, 12"	2	\$41.99 ea
12	H219	cap, axle, 1/2"	2	\$0.99 ea
13	H221	nut, lock, 1/2" steel	1	\$1.99 ea
14	H220	fitting, strain relief, cord	1	\$3.19 ea
15	E550	power cord, pigtail, 30", 12/3, black	1	\$11.49 ea
16	P731	base, speedster	1	\$141.99 ea
17	H202	bolt, 1/4-20 x 3/4" hex head, s/s	6	\$0.99 ea
18	PH615-26	sol hose, 1/2" kuri 100psi	1	\$8.99/ft
19	H347	clamp, hose, 5/16-29/32	4	\$1.99 ea
20	B160	adapter, brass, 1/2" barb x 3/8" fsw, ball end	1	\$3.49 ea
21	B186	elbow, brass, 90 deg, 3/8"mpt x 3/8" fmpt	1	\$8.99 ea
22	AH120	sol hose, 28" x 1/4", 1/4 fpt	1	\$35.49 ea
23	B136	elbow, brass, 90 deg, 1/4" mpt x 1/4" mpt	1	\$4.99 ea
24	B105	bushing, brass, 3/8"mpt x 1/4"	1	\$3.19 ea
25	H299	washer, 11/16" id x 1-1/2" od x .075, s/s	4	\$0.99 ea
26	H222	screw, 10-32 x 1-1/4" phil pan head, s/s	4	\$0.99 ea
27	C322D	pump, 220psi, diaphragm, 115V	1	\$208.99 ea
28	B172	elbow, brass, 90 deg, 1/2" barb x 3/8"mpt	1	\$9.49 ea
29	H912	bracket, rear, fb/spy	1	\$9.99 ea
30	H770	bolt, 1/4-20 x 1/2" serrated hex flange, zinc	4	\$0.99 ea
31	H307	washer, star, 1/4" steel zinc	2	\$0.99 ea
32	G052	washer, buna 1-1/8" od x 3/16" id	6	\$1.99 ea
33	H211	washer, 1/4" id x 1" od, flat, s/s	6	\$0.99 ea
34	H124	Cuff-Lynx, 2" mpt x 2" female cuff	2	\$3.99 ea
35	H194	coupler, 2" dia x 2.5" length, s/s	2	\$10.00 ea
36	H217	clamp, hose, 2-1/4 dia	4	\$1.49 ea
37	PH628-24	vac hose, 2", wire reinforced	1	\$8.99/ft
38	H213	washer, 1/4" lock, s/s	10	\$0.99 ea
39	H215	nut, hex, 1/4-20 s/s	2	\$0.99 ea
40	H178	faucet fill	1	\$10.99 ea
41	G018	cover, sol tank (sp)	1	\$12.99 ea
42	P732	sol tank, speedster	1	\$141.99 ea
43	H768	bolt, 1/4-20 x 3/4" serrated hex flange, zinc	2	\$0.99 ea
44	B107	nipple, brass, 1/4"m, hex	3	\$3.19 ea
45	H484	plate, mounting, QD	1	\$4.99 ea
46	H256	screw, 10-32 x 3/4" phil pan head, zinc	4	\$0.99 ea
47	B142	coupling, brass, 1/4" fpt x 1/4" fpt	1	\$4.49 ea
48	B135	tee, brass, 1/4" mpt	1	\$5.49 ea
49	B102	qd, brass, 1/4" f	1	\$17.99 ea
50	B656	ball valve, 1/4"	1	\$13.49 ea
51	B109	adapter, brass, 1/4" barb x 1/4" mpt	1	\$1.99 ea
52	PH634-36	sol hose, 1/4", silicone braided, clear	1	\$6.49 ft

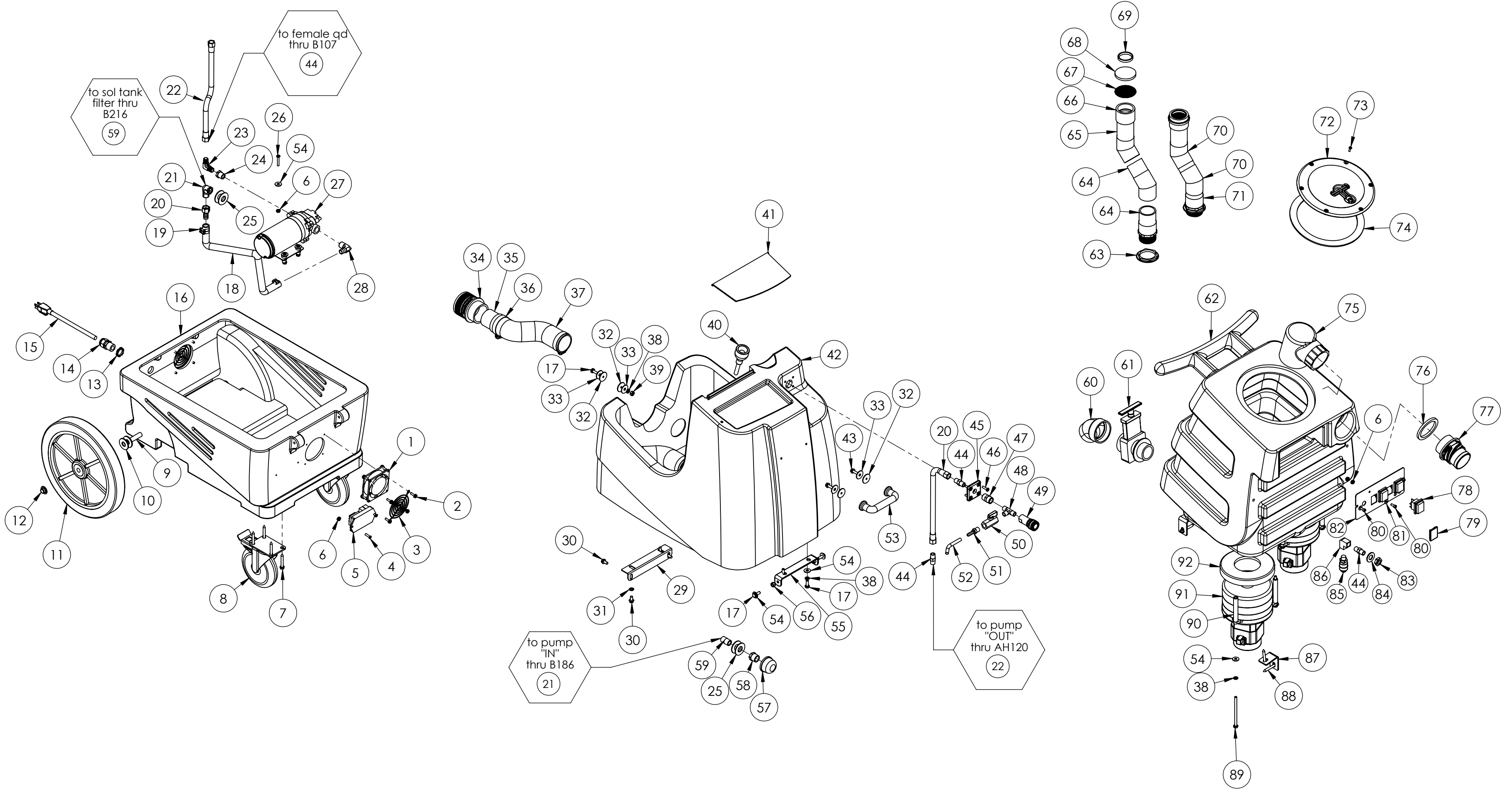
ITEM NO.	PART NO.	DESCRIPTION	QTY.	MSRP
53	H485	handle, breeze and dx	1	\$6.99 ea
54	H210	washer, 1/4" flat, s/s	14	\$0.99 ea
55	H378	bracket, front hinge, sp/fb	1	\$8.99 ea
56	H216	nut, lock, 1/4-20, nylon insert, s/s	2	\$0.99 ea
57	B119A	filter, strainer, 1/2"	1	\$6.49 ea
58	B210	bushing, brass, 1/2"mpt x 3/8" fpt, hex	1	\$2.49 ea
59	B216	nipple, brass, 3/8" x close	1	\$1.99 ea
60	H226	spout, drain, 45 degree	1	\$3.19 ea
61	H225	valve, drain, 1-1/2"	1	\$20.99 ea
62	P733	vac tank, speedster	1	\$190.99 ea
63	H314	nut, lock, 1-1/2", steel	2	\$1.99 ea
64	PH633-2.5	pipe, pvc, 1-1/2"	4	\$4.99 ft
65	PH633-4	pipe, pvc, 1-1/2"	2	\$4.99/ft
66	P502	adapter, 1.5" pvc, fslip x fslip	2	\$5.00 ea
67	G021	screen, mesh filter, 2-3/8" dia	2	\$4.99 ea
68	G022	filter, foam, 2-3/8" x 1"	2	\$2.99 ea
69	PH633-1	pipe, pvc, 1-1/2"	2	\$4.99 ft
70	P503	adapter, 1.5" pvc, 45 deg, fslip x fslip	4	\$3.29 ea
71	P520	adapter, pvc, 1-1/2" mpt x 1-1/2" fms	2	\$2.99 ea
72	G090	lid, vac tank, clear, 7"	1	\$36.99 ea
73	H304	screw, #8 x 5/8 phil oval, s/s	6	\$0.99 ea
74	G091	gasket, 7", vac lid	1	\$11.99 ea
75	A926	elbow, inlet assembly 2"	1	\$15.99 ea
76	G083	gasket, 2" inlet	1	\$2.49 ea
77	H135	Cuff-Lynx, 2" m cuff x 2" mpt	1	\$3.99 ea
78	E515	switch, rocker, 2 position	3	\$13.99 ea
79	P967A	plug	1	\$1.99 ea
80	H389	screw, 10-32 x 1/2" SHCS, alloy	3	\$0.99 ea
81	H612	Washer, #8, flat regular	3	\$0.99 ea
82	H348	plate, switch, 1000DX-200	1	\$6.99 ea
83	B156	nut, 1/4" npt	1	\$1.99 ea
84	H212	flat washer, 9/16" ID x 1 1/16" OD, AN960-C916	1	\$0.99 ea
85	E373	level switch, vacuum shut-off, rear threads	1	\$13.99 ea
86	B207	elbow, brass, 90 deg, 1/4" fpt x 1/4" fpt	1	\$5.99 ea
87	H390A	bracket, "L"	2	\$6.99 ea
88	H034	plastite screw, 1/4 x 1"	4	\$2.99 ea
89	H096	bolt, hex, 1/4-20 x 4", zinc Finish	6	\$0.99 ea
90	H503	vac support, 3-stage, 3.25", no threads	6	\$3.99 ea
91	C302LA	vac motor, 3 stage, low amp	2	\$139.99 ea
92	G004	gasket, vac motor - Speedster	2	\$8.99 ea

**ITEMS NOT SHOWN**

PART NO.	DESCRIPTION	QTY	MSRP
G008	piglet filter	1	\$6.29 pak
G085	gasket, strip, 3/4" x 36" x 1/8"	1	\$4.99 ea
H375	hanger, wire formed, hose	1	\$10.99 ea
H230	screw, 10-32 x 1/2" phil pan head, s/s	2	\$0.99 ea
H141	Cuff-Lynx, 2" x 1.5" reducer	1	\$3.99 ea
H110	Cuff-Lynx, 2" hose x 2" fem swivel Cuff-Lynx	1	\$3.99 ea
E530	power cord, ext 50', 12/3 black	1	\$74.99 ea



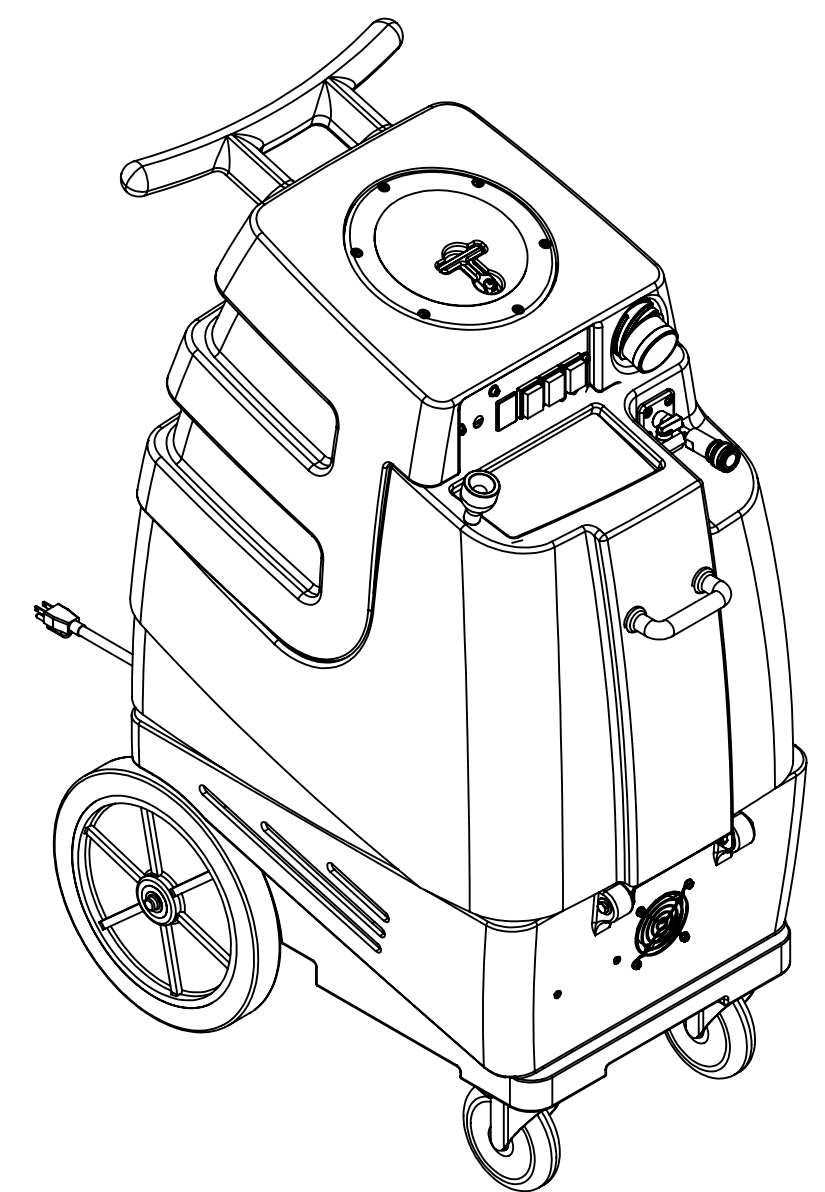
NAME	DATE	<b>MYTEE PRODUCTS, INC.</b> 858-679-1191
DRAWN M. LaBarbera	8/2013	
CHECKED		TITLE:
COMMENTS:		<b>speedster</b>
<small>PROPRIETARY AND CONFIDENTIAL THE INFORMATION CONTAINED IN THIS DRAWING IS THE SOLE PROPERTY OF MYTEE PRODUCTS, INC. ANY REPRODUCTION IN PART OR AS A WHOLE WITHOUT THE WRITTEN PERMISSION OF MYTEE PRODUCTS, INC. IS PROHIBITED.</small>		SIZE DWG. NO. REV <b>C 1000DX-200 A</b>
SCALE: 1:48	DO NOT SCALE DRAWING	SHEET 1 OF 3



	NAME	DATE	<b>MYTEE PRODUCTS, INC.</b> 858-679-1191	
DRAWN	M.LaBarbera	8/2013	TITLE:	
CHECKED			<b>speedster</b>	
COMMENTS:			SIZE	DWG. NO.
<small>PROPRIETARY AND CONFIDENTIAL THE INFORMATION CONTAINED IN THIS DRAWING IS THE SOLE PROPERTY OF MYTEE PRODUCTS, INC. ANY REPRODUCTION IN PART OR AS A WHOLE WITHOUT THE WRITTEN PERMISSION OF MYTEE PRODUCTS, INC. IS PROHIBITED.</small>			<b>C</b>	<b>1000DX-200</b>
			SCALE: 1:48	REV <b>A</b>
			DO NOT SCALE DRAWING	SHEET 2 OF 3

**REVISIONS**

REV.	DESCRIPTION	DATE	APPROVED
OD	ORIGINAL DRAFT	-	JFL
A	REPLACED G003 W G022	8/2013	JFL



	NAME	DATE	<b>MYTEE PRODUCTS, INC.</b> 858-679-1191	
DRAWN	M. LaBarbera	8/2013	TITLE:	
CHECKED			speedster	
COMMENTS:			SIZE	DWG. NO.
<b>PROPRIETARY AND CONFIDENTIAL</b> THE INFORMATION CONTAINED IN THIS DRAWING IS THE SOLE PROPERTY OF MYTEE PRODUCTS, INC. ANY REPRODUCTION IN PART OR AS A WHOLE WITHOUT THE WRITTEN PERMISSION OF MYTEE PRODUCTS, INC. IS PROHIBITED.			<b>C</b>	<b>1000DX-200</b>
			SCALE: 1:48	DO NOT SCALE DRAWING
			SHEET 3 OF 3	