

Minuteman[®]
Excellence Meets Clean



**Parts and Instruction Manual
X839 Asbestos Series
15, 30, & 55 Gallon**

This manual is furnished with each new **MINUTEMAN X839**. This provides the necessary operating and preventive maintenance instructions. Operators must read and understand this manual before operating or servicing this machine.

This machine was designed to give you excellent performance and efficiency. For best results and minimal cost, please follow the general guidelines below:

- Operate the machine with reasonable care.
- Follow the manufacturers suggested maintenance instructions as provided in this booklet.
- Use original Minuteman supplied parts.

TECHNICAL SPECIFICATIONS

Model X839

Number	Wet Capacity**	Dry Capacity	Tank Size	Material	Air Flow	Waterlift	Filter Area
C83985-01	12 gal (45 ltr)	.82 cu. ft (.02 m3)	15 gal (57 ltr)	SS	95 CFM(2.7m3/min)	85" (2159 mm)	1137in2(7336cm2)
C83905-01	12 gal (45 ltr)	.82 cu. ft (.02 m3)	15 gal (57 ltr)	SS	115 CFM(3.2m3/min)	105" (2667 mm)	2592in2(16,724cm2)
C83930-01	12 gal (45 ltr)	.82 cu. ft (.02 m3)	15 gal (57 ltr)	SS	100 CFM(2.8m3/min)	130" (3302 mm)	2592in2(16,724cm2)
C83985-03	12 gal (45 ltr)	.82 cu. ft (.03 m3)	15 gal (57 ltr)	PTD	95 CFM(2.7m3/min)	85" (2159 mm)	1137in2(7336cm2)
C83905-03	12 gal (45 ltr)	.82 cu. ft (.02 m3)	15 gal (57 ltr)	PTD	115 CFM(3.2m3/min)	105" (2667 mm)	2592in2(16,724cm2)
C83930-03	12 gal (45 ltr)	.82 cu. ft (.02 m3)	15 gal (57 ltr)	PTD	100 CFM(2.8m3/min)	130" (3302 mm)	2592in2(16,724cm2)
C83985-05	13 gal (49 ltr)	.82 cu. ft (.02 m3)	15 gal (57 ltr)	POLY	95 CFM(2.7m3/min)	85" (2159 mm)	1137in2(7336cm2)
C83905-05	13 gal (49 ltr)	.82 cu. ft (.02 m3)	15 gal (57 ltr)	POLY	115 CFM(3.2m3/min)	105" (2667 mm)	2592in2(16,724cm2)
C83930-05	13 gal (49 ltr)	.82 cu. ft (.02 m3)	15 gal (57 ltr)	POLY	100 CFM(2.8m3/min)	130" (3302 mm)	2592in2(16,724cm2)
C83985-06	19 gal (72 ltr)	1.3 cu. ft (.03 m3)	20 gal (76 ltr)	POLY	95 CFM(2.7m3/min)	85" (2159 mm)	1137in2(7336cm2)
C83905-06	19 gal (72 ltr)	1.3 cu. ft (.03 m3)	20 gal (76 ltr)	POLY	115CFM(3.2m3/min)	105" (2667 mm)	2592in2(16,724cm2)
C83930-06	19 gal (72 ltr)	1.3 cu. ft (.03 m3)	20 gal (76 ltr)	POLY	100CFM(2.8m3/min)	130" (3302 mm)	2592in2(16,724cm2)
C83985-30	27 gal (102 ltr)	3.6 cu. ft (.09 m3)	30 gal (113 ltr)	PTD	95 CFM(2.7m3/min)	85" (22159 mm)	1137in2(7336cm2)
C83905-30	27 gal (102 ltr)	3.6 cu. ft (.09 m3)	30 gal (113 ltr)	PTD	115CFM(3.2m3/min)	105" (2667 mm)	2592in2(16,724cm2)
C83930-30	27 gal (102 ltr)	3.6 cu. ft (.09 m3)	30 gal (113 ltr)	PTD	100CFM(3.2m3/min)	130" (3302 mm)	2592in2(16,724cm2)
C83985-55	47 gal (178 ltr)	7.2 cu. ft (.20 m3)	55 gal (208 ltr)	PTD	95 CFM(2.7m3/min)	85" (22159 mm)	1137in2(7336cm2)
C83905-55	47 gal (178 ltr)	7.2 cu. ft (.20 m3)	55 gal (208 ltr)	PTD	115CFM(3.2m3/min)	105" (2667 mm)	2592in2(16,724cm2)
C83930-55	47 gal (178 ltr)	7.2 cu. ft (.20 m3)	55 gal (208 ltr)	PTD	100CFM(3.2m3/min)	130" (3302 mm)	2592in2(16,724cm2)

SS= Stainless Steel; PTD= Painted; POLY= Polyethylene

**** Units must have an optional 1:1 adapter in order to operate wet.**

All 15, 30, or 55 gallon dry recovery vacuums can be converted to wet recovery by adding a water shut-off and 1:1 adaptor.

Table of Contents

IMPORTANT SAFETY INSTRUCTIONS	1
Inspection	2
Electrical- 115 Volt	2
Grounding Instructions	2
User Maintenance Instructions	3
Cloth Bag & Hose Assembly	3
Cord Storage	3
Operation and Filter Care Instructions	4
Tank/Filter Set-Up Procedure	4
Procedure for Removing Contaminated Filters and for Cleaning of Contaminated Tank	4
Changing the Prefilter	5
Assembly Instructions for Dry Recovery - Models 30/55 gallon	5
Emptying Procedure After Dry Recovery	5
Exploded Views	6
Main Assembly	6
Lid Assembly	7
Lid Assembly BOM	8
Tank Assembly - 15 Gallon	9
Tank Assembly - 15 Gallon BOM	10
Tank Assembly - 30 & 55 Gallon	11
Adapter Assembly	12
Dolly Assembly	13
Bag Assembly	14
Minuteman International Made Simple Commercial Limited Warranty	15

FOR COMMERCIAL USE ONLY

IMPORTANT SAFETY INSTRUCTIONS

When using an electrical appliance, basic precautions should always be followed, including the following:

READ ALL INSTRUCTIONS BEFORE USING

WARNING - To reduce the risk of fire, electric shock, or injury:

- Do not leave appliance when plugged in. Unplug from outlet when not in use and before servicing.

WARNING

Electrical shock could occur if used on wet surfaces. Do not expose to rain. Store indoors.

- Do not allow to be used as a toy. Close attention is necessary when used by or near children.
- Use only as described in this manual. Use only manufacturer's recommended attachments.
- Do not use with damaged cord or plug. If appliance is not working as it should, has been dropped, damaged, left outdoors, or dropped into water, return it to a service center.
- Do not pull or carry by cord, use cord as a handle, close a door on cord, or pull cord around sharp edges or corners. Do not run appliance over cord. Keep cord away from heated surfaces.
- Do not unplug by pulling on cord. To unplug, grasp the plug, not the cord.
- Do not handle plug or appliance with wet hands.
- Do not put any object into openings. Do not use with any opening blocked; keep free of dust, lint, hair, and anything that may reduce air flow.
- Keep hair, loose clothing, fingers, and all parts of body away from openings and moving parts.
- Do not pick up anything that is burning or smoking, such as cigarettes, matches or hot ashes.
- Do not use without dustbag and/or filters in place.
- Turn off all controls before unplugging.
- Use extra care when cleaning on stairs.
- Do not use to pick up flammable or combustible liquids such as gasoline or use in areas where they may be present.
- Connect to a properly grounded outlet only. See grounding instructions.

SAVE THESE INSTRUCTIONS

Inspection

Carefully unpack and inspect your machine for shipping damage. Each unit is tested and thoroughly inspected before shipment, and any damage is the responsibility of the delivery carrier who should be notified immediately.

Electrical- 115 Volt

This machine is designed to operate on a standard 15 amp, 115 volt, 60 hz, AC circuit. Voltages below 105 volts AC or above 125 volts AC could cause serious damage to the motor.

WARNING

Electric motors can cause explosions when operated near explosive materials or vapors. Do not operate this machine near flammable materials such as solvents, thinners, fuels, grain dust, etc.

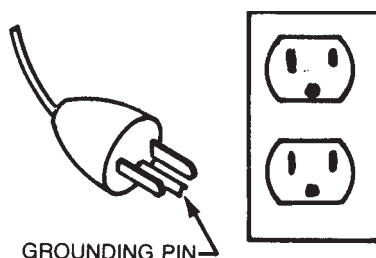
Grounding Instructions

This appliance must be grounded. If it should malfunction or breakdown, grounding provides a path of least resistance for electric current to reduce the risk of electric shock. This appliance is equipped with a cord having an equipment-grounding conductor and grounding plug. The plug must be plugged into an appropriate outlet that is properly installed and grounded in accordance with all local codes and ordinances.

DANGER - Improper connection of the equipment-grounding conductor can result in a risk of electric shock. Check with a qualified electrician or service person if you are in doubt as to whether the outlet is properly grounded. Do not modify the plug provided with the appliance — if it will not fit the outlet, have a proper outlet installed by a qualified electrician.

This appliance is for use on a nominal 120-volt circuit and has a grounding plug that looks like the plug illustrated in sketch A below. Make sure that the appliance is connected to an outlet having the same configuration as the plug. No adapter should be used with this appliance.

Sketch A



User Maintenance Instructions

All service and repair should be performed by a qualified vacuum service representative or electrician. No user serviceable components are employed in the electrical vacuum lid head assembly. No lubrication of the motor is required.

Cloth Bag & Hose Assembly

Cloth bag and hose assy. are user maintenance items and can be replaced when worn out. Cloth bags can be maintained by blowing dust off of the bag and then laundered. Cloth bags should be completely dried before re-installing into machine. For optimum performance, empty and clean filter bag regularly. A clogged and dirty bag restricts the flow of air and results in reduced vacuum. The Hose Assy. can be maintained by wiping off with a dampened cloth of mild liquid soap and water, then allowed to dry.

Cord Storage

While not in use storage can be accomplished by winding cord around motor lid assy. Cord should be completely unwound from Lid Assy. during operation.

- Do not use with damaged cord or plug. If appliance is not working as it should, has been dropped, damaged, left outdoors, or dropped into water, return to service center.
- Do not pull or carry by cord, use cord as handle, close a door on cord, or pull cord around sharp edges or corners. Do not run appliance over cord. Keep cord away from heated surfaces.
- Do not unplug by pulling cord. To unplug, grasp the plug, not the cord.
- Do not handle plug or appliance with wet hands.
- Always unplug the machine when removing the head off the tank. This equipment should be stored indoors and not exposed to rain.

Operation and Filter Care Instructions

The Minuteman Asbestos Vacuum has been specifically designed to clean up fibrous asbestos and asbestos dust of all types. Special filters reduce the incidence of airborne dust that would be created by any other method of cleaning.

During the removal of asbestos dust, do not sweep, scoop, shovel, or in any manner handle other than by vacuuming.

Do not at any time attempt to bypass, remove, substitute or by any other means change the filters used in this vacuum.

Use only approved Minuteman Asbestos Vacuum filters and filter bags.

Before attempting to use and before cleaning, be certain that you fully understand the instructions given for the setting up or cleaning/changing of filters of this vacuum.

Each facility has its own individual and unique cleaning problems, it is suggested that you use the following:

Tank/Filter Set-Up Procedure

Refer to Main Assembly, figure 1.

1. Fully open the plastic bag and place it down into the tank; #4 on the underside of the intake tube as shown.
2. Take the paper bag that has the cardboard collar attached and open it up by gently pulling the folds apart.
3. You will notice two creases on the top side of the collar; carefully bend the ends down (toward) the bag.
4. Insert this bag into the tank and push it to the bottom, taking care not to snag the plastic bag.
5. Locate the cardboard collar around the intake tube and gently work it up past the raised ring that runs around the tube.
6. Push the plastic bag down past the paper bag; position it about 1/2 to 2/3 down past the top of the bag.
7. Take the paper filter protector bag and insert it into the tank and snap the elastic band around the rim of the tank. (About 2 inches of the bag should be outside of the tank.)
8. Place the cloth filter bag onto and into the tank, using the formed outer rim as a guide and press down firmly onto the tank rim.
9. Position the lid onto the tank, making sure that the gasket of the lid is seated onto the ring of the cloth bag frame completely around the tank.
10. Snap the lid latches into place.

For proper cleaning of tank and removal/changing of filters, see "Procedure for Removing Contaminated Filters and for Cleaning of Contaminated Tank".

Procedure for Removing Contaminated Filters and for Cleaning of Contaminated Tank

For the benefit of your health, you should always wear a face mask approved for use with asbestos any time you are using or cleaning this vacuum cleaner. You should also wear gloves.

1. Unplug machine from power source.
2. Carefully and slowly remove lid only (be sure you have not accidentally lifted the cloth filter bag at the same time). Set the lid/filter assembly aside.
3. Gently tap the inside of the cloth bag to loosen any particles that may be on the opposite surface. Do this all around the inside surface of the bag.
4. Gently remove the cloth bag and set aside.
5. Carefully undo the elastic band from around the tank and push the entire bag "slowly" into the tank. Do not allow the elastic band to snap the bag closed.
6. Using a wiping cloth, dampened with water (not soaking wet), wipe down all of the exposed surfaces inside to the tank; put the cloth aside, do not discard.
7. Carefully and "very" slowly, push the paper bag down and off of the intake tube, using the attached cardboard collar. After the collar is removed from the intake tube, take the damp cloth and wipe off any surfaces that were not previously wiped; at this time, re-wipe the entire inside of the tank and drop the wiping cloth into the tank.
8. Now reach in and gently pull up and around the paper bag the plastic bag that had been previously inserted. When you have the plastic bag fully extended, "gently" and "slowly" squeeze the bag closed

as close to the filled bag as possible in order to avoid trapping excessive air.

9. Gently remove the bag from the tank. Twist the unfilled portion closed and tie it into a knot.
10. CAUTION: Hazardous materials must be disposed of properly. Never throw contaminated debris in your usual trash receptacle. Place debris in a plastic bag or can marked "HAZARDOUS MATERIALS" and take to a hazardous waste handler.
11. For proper assembly of new filters, see "Tank/Filter Set-Up Procedure".

Changing the Prefilter

The pink impaction filter should be changed, using all of the precautions previously mentioned. The impaction filter should be changed when any of the following takes place:

1. Anytime there is an indication of a filter tear during normal operation of the unit. This tear could be in any of the filters used.
 - a. paper dust containment bag
 - b. paper bag protector
 - c. cloth filter bagThese tears would show up during the tank clean-out procedure, or....
2. Every other tank clean-out period. To change the impaction filter, do the following before you do Step #3 of the normal clean-out procedure.
 - a. Wipe down all of the exposed surfaces on the underside of the removed lid, using the dampened wiping cloth.
 - b. Remove the pre-filter from the high efficiency filter. Be careful so as not to damage or puncture the H.E.P.A. / U.L.P.A media used in the final filter. Do not attempt to clean the pre-filter in any way; dispose of by placing it into the tank you are now in the process of cleaning. **DO NOT USE ANY TOOLS TO REMOVE THE PRE-FILTER.**
 - d. Before proceeding any further in cleaning the tank, first place a new pre-filter (one only) onto the H.E.P.A. / U.L.P.A filter.

Assembly Instructions for Dry Recovery Models 30/55 gallon

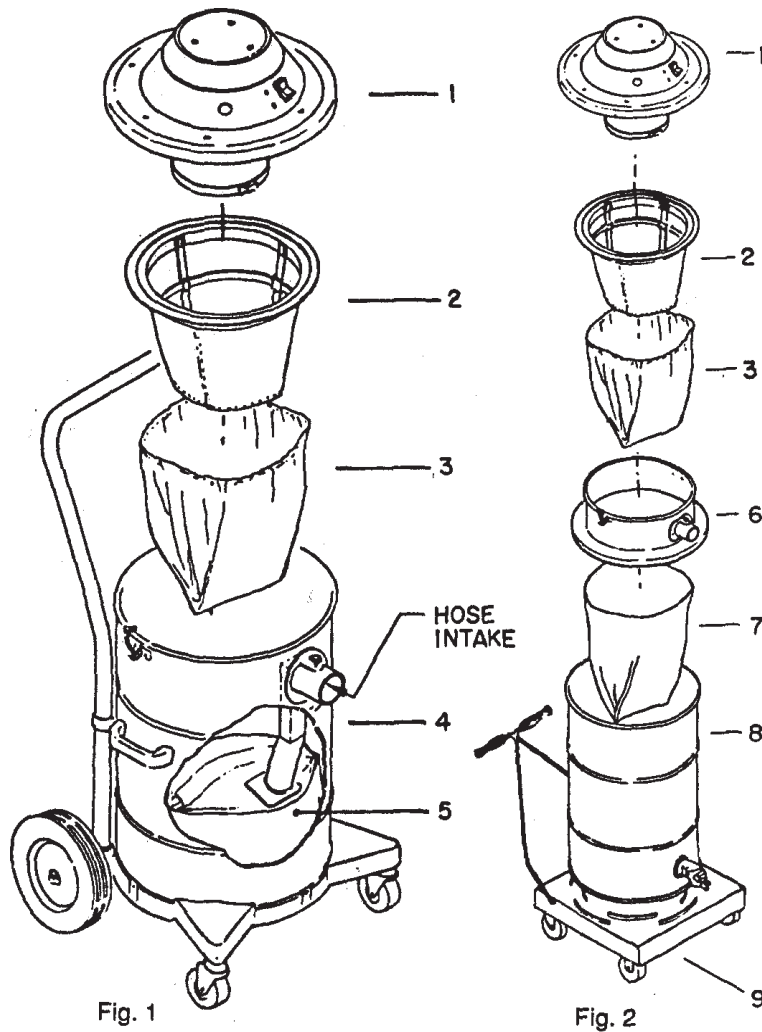
Refer to Main Assembly, Fig. 2

1. Place 6 mil. plastic bag liner #7 into drum. Drape bag liner over rim of drum.
2. Place adaptor ring #6 onto drum.
3. Insert paper filter protector #3 into drum adaptor ring and drape elastic over rim to secure in place.
4. Insert cloth filter assembly #2 into adaptor ring and center around rim.
5. Place vacuum motor lid assembly onto adaptor ring. Attach lid latches.

Emptying Procedure After Dry Recovery

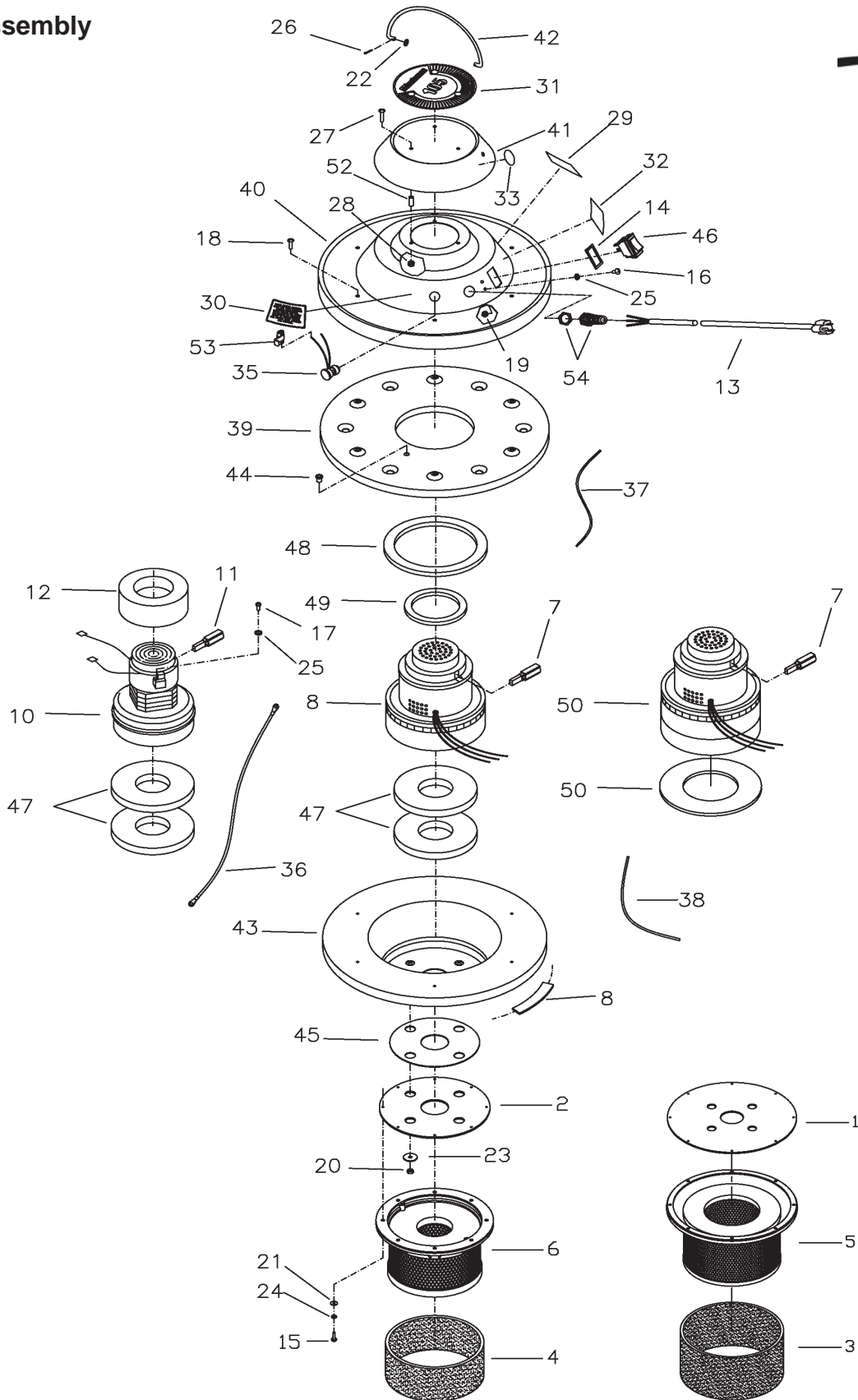
1. Remove the vacuum lid assembly and place on work table upside down.
2. Remove and inspect cloth filter assembly. If dust has accumulated on the cloth bag, it will require cleaning by vacuuming. A second cloth filter assembly should be kept on hand for installation into vacuum so that soiled filter bag can be cleaned and reused.
3. Remove filter bag protector elastic from around adaptor rim and push bag into drum for disposal.
4. Inspect prefilter on side of H.E.P.A. / U.L.P.A filter on vacuum motor lid assembly. If prefilter has been soiled, remove and place it into drum with other debris.
5. Install clean prefilter onto H.E.P.A. / U.L.P.A filter.
6. Using a damp towel, wipe inside of adaptor ring as you remove it from drum. Place soiled towels into drum liner bag.
7. Gather plastic liner bag while in drum. Seal and tie liner bag before removing from drum. Tilt drum over on its side and slide bag liner out of drum. Place into a second 6 mil. liner bag with proper markings for disposal.
8. Follow assembly procedure above before putting vacuum back into use.

Main Assembly



Item	Part No.	Description
1	801085 (85)	Lid Asy Comp
	801105 (105)	Lid Asy Comp
	801130 (130)	Lid Asy Comp
2	805058	Cloth Bag Asy Comp
3	805038 Pkg	Disposable Fliter Protector Pkg of 12
4	750221-01	Tank Asy Comp 15 Gallon Stainless Steel
	750220-01	Tank Asy Comp 15 Gallon Painted
5	760598 Pkg	Disposable Paper Bag
	805037 Pkg	Disposable Plastic Bag
6	C80601-70	Adapter Comp 30 Gallon
	C80601-80	Adapter Comp 55 Gallon
7	805037 Pkg	Drum Liner 30 Gallon
	805046 Pkg	Drum Liner 55 Gallon
8	C90007-80	30 Gallon Drum
	900015 PTD	55 Gallon Drum
9	900048	Dolly Cart Comp 30/55 Gallon

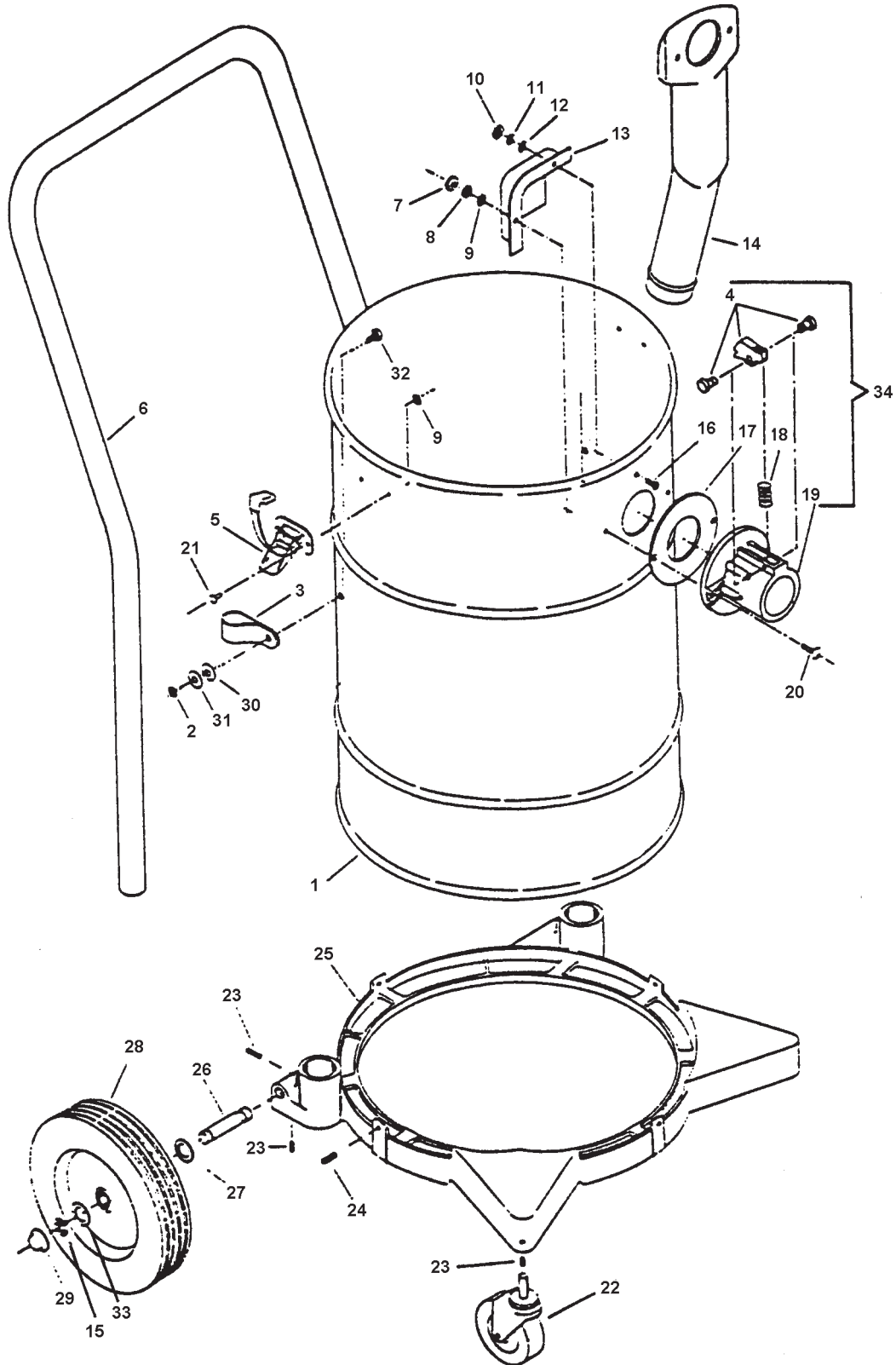
Lid Assembly



Lid Assembly BOM

ITEM	PART NO.	REQ'D	DESCRIPTION
1	110003	1	MOUNTING PLATE (110038)
2	110012	1	MOUNTING PLATE (110039)
3	110028PKG	1	PREFILTER SLEEVE, PKG OF 6 (110038)
4	110030PKG	1	PREFILTER SLEEVE, PKG OF 6 (110039)
5	110038	1	FILTER-HEPA, 10"
6	110039	1	FILTER-ULPA, X839 SERIES
7	255008	2	BRUSH, CARBON - 105/130
8	255039	1	VACUUM MOTOR, BYPASS 115V-105
9	290030	1	LID GASKET DIECUT 15G 290
10	380001-4	1	VACUUM MOTOR, BYPASS (ECM) 115V-85
11	380005	2	BRUSH, CARBON (ECM) - 85
12	380064	1	RING, FOAM
13	381020	1	CORD-16GA-3 50FT MED GREY
14	450088	1	SPACER-SWITCH, FOAM
15	710329	8	SCR-MC 8-32 X .50 ZINC
16	710355	2	SCR-MC RD HD 10-32 X .50 ZINC
17	711124	1	SCR-ST-B 10 X .37 NI
18	711126	6	SCR-ST-B 10 X .75
19	711310	2	NUT-HEX 10-32 ST PL
20	711373	4	NUT-NYLOC 1/4-20
21	711502	8	WSR-FLT #8
22	711505	2	WSR-FLT 1/4
23	711519	4	WSR-FLT .25 X 1.01 X .06
24	711552	8	WSR-INT LOCK #8
25	711553	3	WSR-INT LOCK #10
26	711803	2	PIN-COTTER .06 X .75
27	712532	3	SCR-MC 10-24 X 1.00 SS
28	712908	3	NUT-FLANGED WIZZ 10-24
29	715029	1	DECAL-NAME PLATE SERIAL
30	715069	1	DECAL-FILTERS CHECK
31	715102	1	DECAL-P/V HEPA 85
31A	715103	1	DECAL-P/V HEPA 105
31B	715104	1	DECAL-P/V HEPA 130
32	715115	1	DECAL-WARNING PV DRY
33	715501	1	DECAL-MADE IN USA
34	740014	4	QC-14-16G 1/4 FULL INS FEMALE
35	740088	1	SWITCH-VAC LIGHT SENSOR
36	740116-1	1	WIRE ASSY 16G GRN/YEL 14.50"
37	760212	1	VAC SENSOR TUBE
38	760213	1	VENTURI TUBE
39	760896PLT	1	SHROUD, MOTOR PLATED
40	760897PLT	1	MOTOR COVER PLATED P/V
41	760898PLT	1	CAP MOTOR P/V PLATED
42	760899	1	HANDLE BAIL PIC VAC
43	760903	1	MOTOR LID ASY PV HEPA
44	760904	1	BUSHING-SNUB .375 X .469 X .43
45	760905	1	GASKET, FILTER MOUNTING PLATE
46	809754	1	SWITCH-ROCKER
47	828995	2	GASKET-NEOP 2.5X6X.62
48	831478	1	GASKET-NEOP 6 X 7.5 X .37
49	831484	1	GASKET 3.5 X 4.5 X .37
50	831524	1	VACUUM MOTOR, 3-STAGE 115V-130
51	831626	1	GASKET 4 X 7.37 X .250
52	831652	3	SPACER-.264 X .344 X .750 ALM
53	832070	2	CONNECTOR
54	833237	1	STRAIN RELIEF W/ NUT

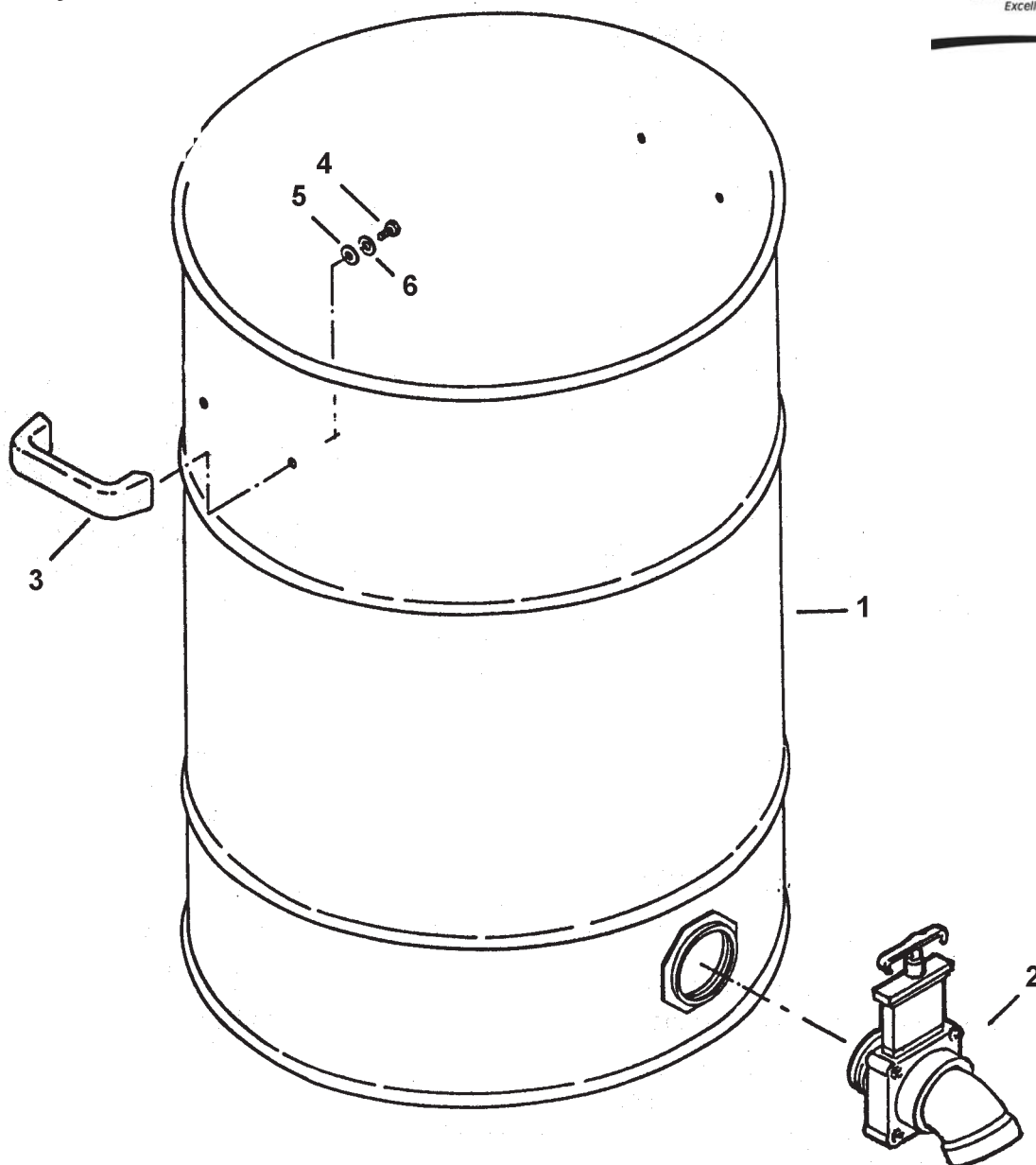
Tank Assembly - 15 Gallon



Tank Assembly - 15 Gallon BOM

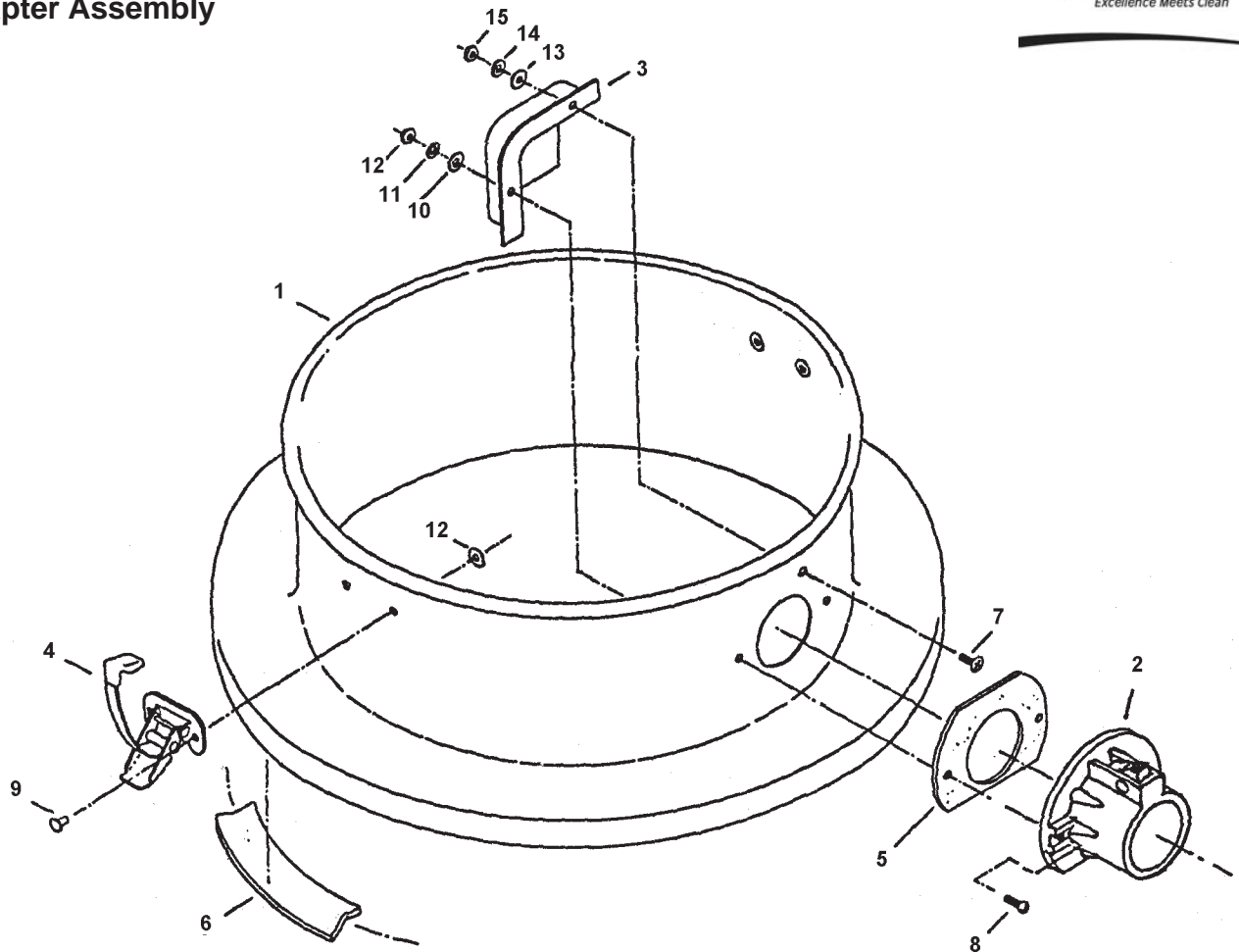


Item	Part No.	Qty.	Description
1	900001PTD	1	Tank, PTD 15 Gal
1A	900003POL	1	Tank, Polished 15 Gal SS
2	711352	2	Nut-Acorn 1/4-20
3	900038	2	Clamp, Handle
4	390001	1	Trigger with Pins
5	761054	2	Latch
6	900037PLT	1	Handle, Plated
7	711310	2	Nut-Hex 10-32 ST PL
8	711543	2	Washer-Helical #10
9	711503	2	Washer-Flat #10
10	711304	1	Nut-Hex 8-32
11	711542	1	Washer-Helical #8
12	711502	1	Washer-Flat #8
13	900035	1	Deflector, Intake
14	390016	1	Molded Downtube, New Style
15	711713	2	Retaining Ring-E Ext
16	710530	1	SCR-MC 8-32 x .5 BR
17	390087	1	Gasket
18	390002	1	Spring
19	390101	1	Intake Aluminum
20	710154	2	SCR-MC 10-32 x .562 SS
21	711915	4	Rivet-Tube .19X.28
22	900033	2	Caster, Swivel
23	711005	4	SCR-SK 1/4-20 x .31
24	711006	6	SCR-SK 1/4-20 x .62
25	760984PTD	1	Bracket, Wheel
26	900066	2	Axle
27	711524	2	Washer-Wave .52 x .87 x .01
28	900040	2	Wheel
29	130032	2	Cap, Retainer
30	711591	4	Washer-Rubber
31	711505	4	Washer-Flat
32	711202	2	Blt-HH 1/4-20 X .50
33	711594	2	Washer-Flat .88 x .03 NI
34	390110	1	Intake Assy Aluminum
***	390013		Molded Adapter 1-1/4
***	390014		Molded Adapter 1-1/2
***	390019		Molded Adapter 2

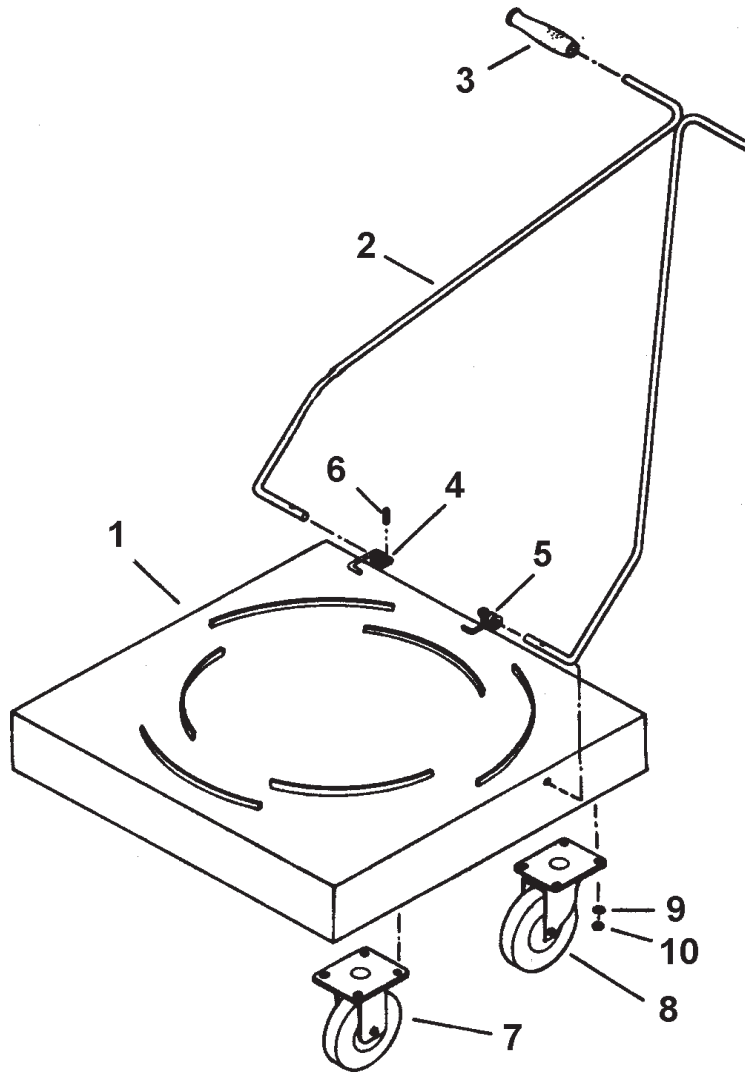


Item	Part No.	Qty	Description
1	900078PTD	1	Tank 30 Gal. PTD Less Handles
1a	900015PTD	1	Tank 55 Gal. PTD No Handles
2	900047	1	Dump Valve
3	900031POL	2	Handle, Tank Polished
4	711203	4	BLT, HH 1/4-20 x .62
5	711591	4	Washer, Rubber
6	711505	4	WSR, Flat 1/4
***	C90007-80		Tank 30 Gal. Complete
***	805037PKG		Drum Liner 30 Gal. Pkg. 12
***	805046PKG		Drum Liner 55 Gal. Pkg. 12

Adapter Assembly

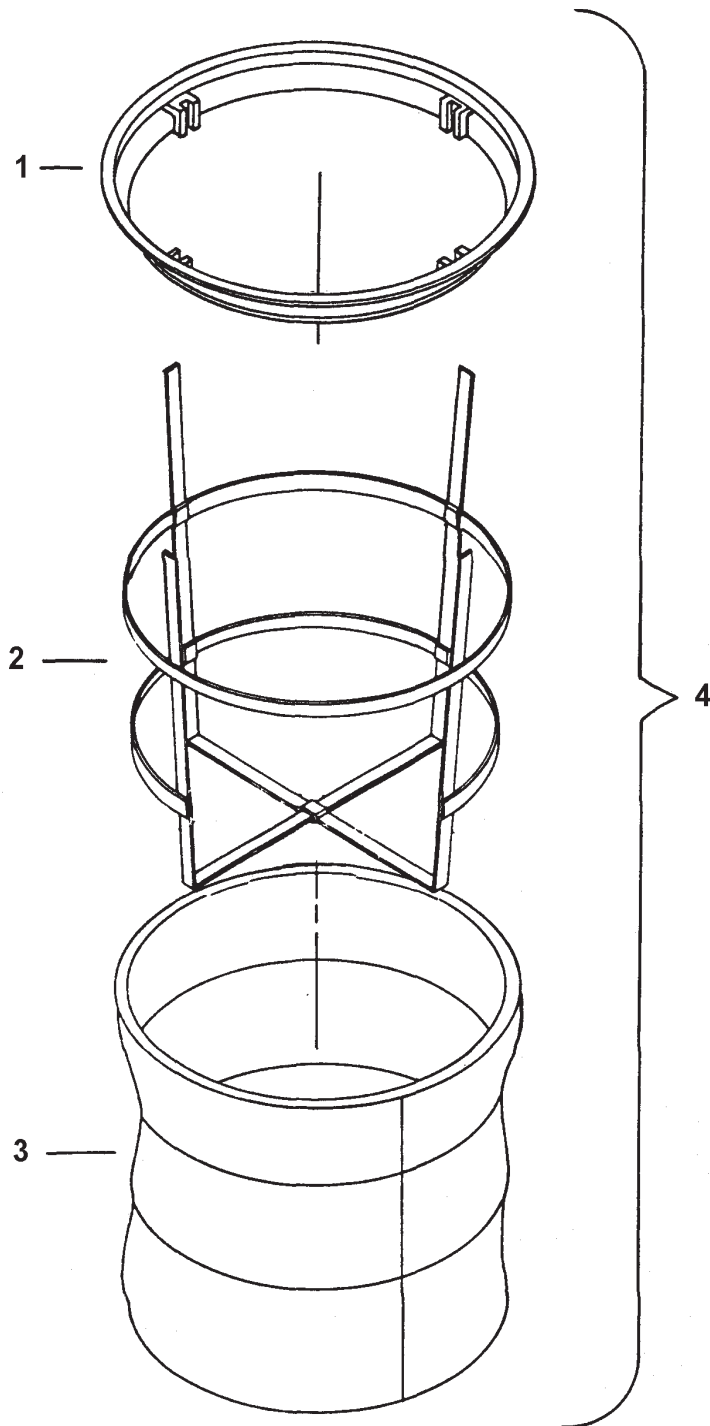


Item	Part No.	Qty	Description
1	806016PTD	1	55 Gal. Adapter Painted
1a	806015PTD	1	30 Gal. Adapter Painted
2	390110	1	Intake Assy Aluminum
3	900035	1	Deflector, Intake
4	761054	2	Latch
5	390087	1	Gasket Diecut Poron Intake
6	806006	1	Gasket, Raw
7	710530	1	SCR-MC 8-32 x .50 BR
8	712824	2	SCR-THMS 10-24 x .75 STPL
9	711915	4	Rivet-Tube .19 x .28 NI PL
10	711503	6	WSR-Flat #10
11	711543	2	WSR-Helical #10
12	712638	2	Nut Hex 10/24 SS Nyloc
13	711502	1	WSR-Flat #8
14	711542	1	WSR-Helical #8
15	711304	1	Nut-Hex 8-32 STPL
****	C80601-70		30 Gal. Adapter Assy.
****	C80601-80		55 Gal. Adapter Assy.



Item	Part No.	Qty	Description
1	750045	1	Weldment dolly 30/55
2	900051	1	Weldment, handle
3	900052	2	Grip, handle
4	900080	1	Spring, torsion RH
5	900081	1	Spring LH
6	711642	2	Rollpin
7	761050	2	Caster, rigid 5"
8	761049	2	Caster, swivel 5"
9	711545	16	WSR, helical Spr Loc 5/16
10	711379	16	Nut-Flanged Wizz 5/16-18
***	900048		Dolly cart complete

Bag Assembly



Item	Part No.	Qty.	Description
1	760131	1	Molded bag ring
2	750097	1	Bag frame
3	805054	1	Cloth bag only
4	805058	1	Bas assy. complete

Minuteman International Made Simple Commercial Limited Warranty

Minuteman International, Inc. warrants to the original purchaser/user that the product is free from defects in workmanship and materials under normal use. Minuteman will, at its option, repair or replace without charge, parts that fail under normal use and service when operated and maintained in accordance with the applicable operation and instruction manuals. All warranty claims must be submitted through and approved by factory authorized repair stations.

This warranty does not apply to normal wear, or to items whose life is dependent on their use and care, such as belts, cords, switches, hoses, rubber parts, electrical motor components or adjustments. Parts not manufactured by Minuteman are covered by and subject to the warranties and/or guarantees of their manufacturers. Please contact Minuteman for procedures in warranty claims against these manufacturers.

Special warning to purchaser -- Use of replacement filters and/or prefilters not manufactured by Minuteman or its designated licensees, will void all warranties expressed or implied. A potential health hazard exists without original equipment replacement.

All warranted items become the sole property of Minuteman or its original manufacturer, whichever the case may be.

Minuteman disclaims any implied warranty, including the warranty of merchantability and the warranty of fitness for a particular purpose. Minuteman assumes no responsibility for any special, incidental or consequential damages.

This limited warranty is applicable only in the U.S.A. and Canada, and is extended only to the original user/purchaser of this product. Customers outside the U.S.A. and Canada should contact their local distributor for export warranty policies. Minuteman is not responsible for costs or repairs performed by persons other than those specifically authorized by Minuteman. This warranty does not apply to damage from transportation, alterations by unauthorized persons, misuse or abuse of the equipment, use of non-compatible chemicals, or damage to property, or loss of income due to malfunctions of the product.

If a difficulty develops with this machine, you should contact the dealer from whom it was purchased.

This warranty gives you specific legal rights, and you may have other rights which vary from state to state. Some states do not allow the exclusion or limitation of special, incidental or consequential damages, or limitations on how long an implied warranty lasts, so the above exclusions and limitations may not apply to you.

Cord Electric Group..... Three years parts, two years labor, ninety days travel (Not to exceed two hours)
Exceptions..... Port-A-Scrub, one year parts, six months labor
MPV 13, one year parts
MPV 14 and 18, two years parts, one year labor
RapidAir blower, one year parts, one year labor
Explosion-Proof Vacuum, one year parts, one year labor
Pneumatic Vacuums, three years parts, one year labor

Battery Operated Group..... Three years parts, two years labor, ninety days travel
(Not to exceed two hours)
Exceptions..... Sweepers, one year parts, one year labor, ninety days travel
(Not to exceed two hours)

Internal Combustion Group.... One year parts, one year labor, ninety day travel
(Not to exceed two hours)

Replacement Parts.....Ninety days

Batteries.....0-3 months replacement, 4-12 months pro-rate

Polypropylene Plastic Tanks...Ten years, no additional labor