

ReliaVac™ 16HP



PARTS LIST

Nilfisk-Advance MODEL 56648072



**Nilfisk
Advance**

setting standards

11/04 revised 7/05 FORM NO. 56042458



DESCRIPTION	PAGE
Base Assembly.....	2-3
Handle Assembly	4-5
Wiring Diagram	5

WHEN ORDERING PARTS

- * Use the 8 digit numbers from the "Ref. No." columns in this parts list.
- * Specify the model and serial number of the machine.
- * Use the space below to record the model and serial number for future reference.

Model _____ Serial No. _____

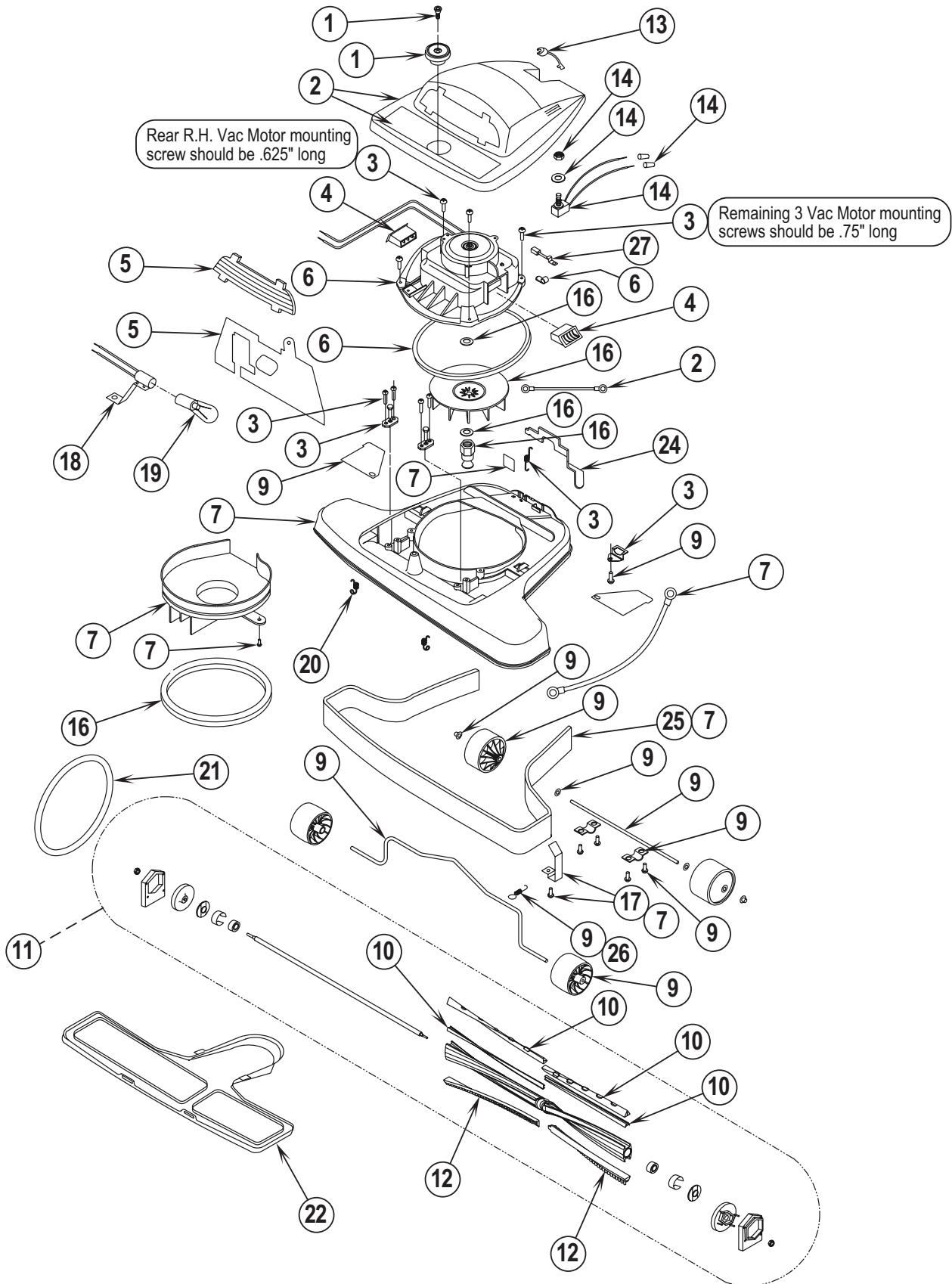
BASE ASSEMBLY

04-11

2

ReliaVac™ 16HP

05-1



04-11

BASE ASSEMBLY

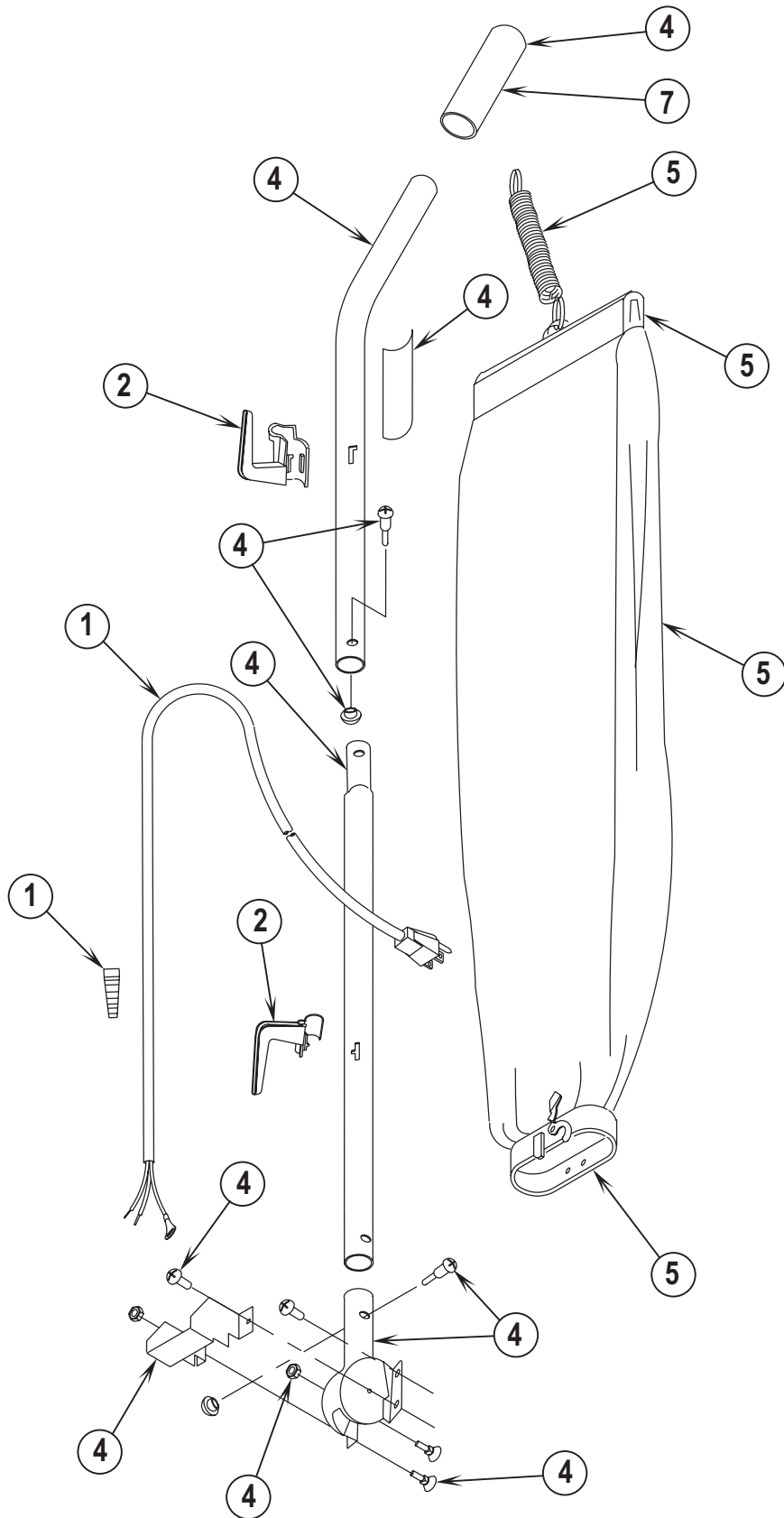
05-7

ReliaVac™ 16HP**3**

Item	Ref. No.	Qty	Description
1	56648400	1	Brush Height Knob Assy
2	56648403	1	Hood Assy
3	56648410	1	Hardware Kit, Base
4	56648418	1	Air Duct Assy
5	56648426	1	Light / Lens Kit
6	56648406	1	Motor & Seal Assy
7	56648408	1	Base Assy
9	56648422	1	Wheel Assy
10	56648416	1	Beater Bar Kit
11	56630493	1	Disturbulator Assy
12	56648414	1	Brush Strip Kit
13	56648417	1	Power Cord Assy (see #1 on page 5)
14	56648405	1	Switch Assy
16	56648420	1	Pulley And Fan Kit
17	56648428	1	Furniture Guard Clip Kit
18	56630680	1	Asm,Headlamp Socket
19	56630722	1	Lamp--Headlight,115v
20	56630765	2	Spring,Ext .304d .930l .055wd
21	56630563	1	Belt-Disturbulator Drive
22	56630451	1	Asm,Plate--Bottom
24	56630395	1	Pedal,Foot--Uppt,White
25	56630507	1	Guard,Furn--Clear Blue,37.00l
26	56630620	1	Spring,Ext .275d 1.50l .024wd
27	56630561	2	Carbon Brush, Motor
**	56643426	1	Magnet, Permanent

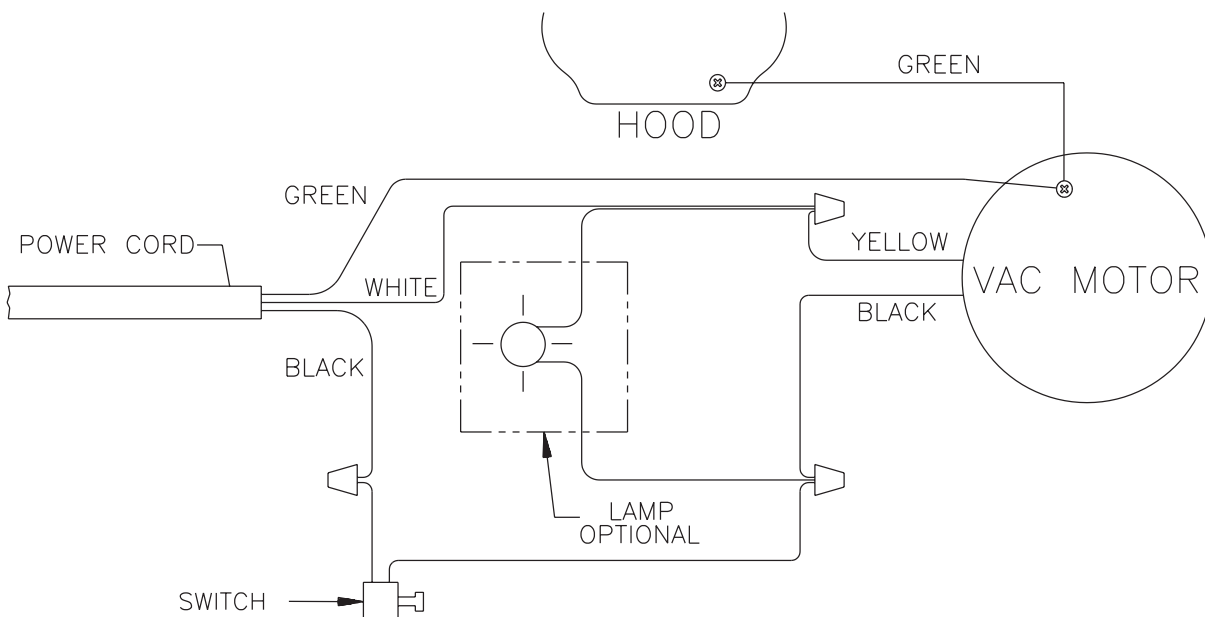
* = Not Shown

** = Not Included (optional)



Item	Ref. No.	Qty	Description
1	56648417	1	Power Cord Assembly (see #13 on page 3)
2	56648421	1	Hook Assembly
4	56648424	1	Handle Assembly
5	56648423	1	Bag Assembly
7	56648429	1	Grip, Handle—Dark Gray
**	56035451	1	Asm, Bag Zip Grey TYT HD Com
**	56637120	A/R	Disposable Paper Bag (pkg of 10)
**	56039515	1	Kit, Dirt Cup Conversion
**	56630249	1	Dirt Cup, Clear Plastic
**	56648404	1	Dirt Cup Bag Kit
**	56648427	1	Dirt Cup Bellows Kit

** = Not Included (optional)





**Nilfisk
Advance**

setting standards

Nilfisk-Advance, Inc.
14600 21st Avenue North
Plymouth, MN 55447-3408
www.nilfisk-advance.com
Phone: 800-989-2235
Fax: 800-989-6566
©2005 Printed in China