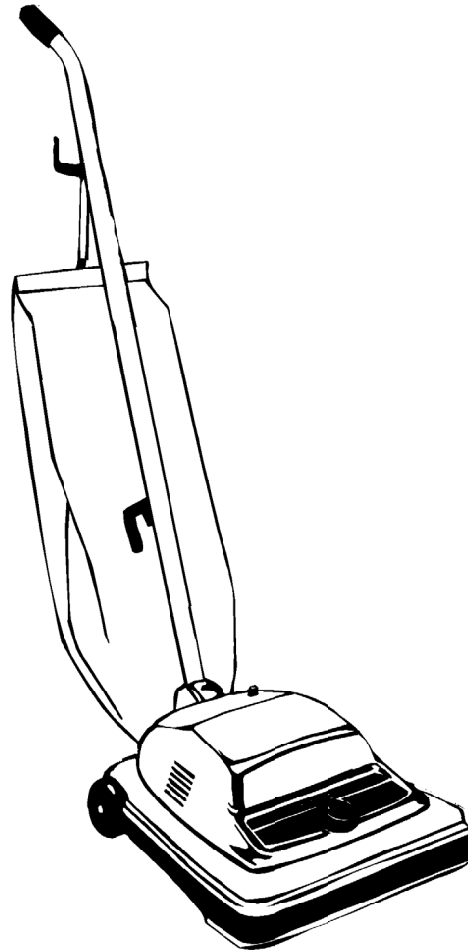


# ReliaVac™ 12

---



---

## **PARTS LIST**

**Nilfisk-Advance MODEL 56648069**

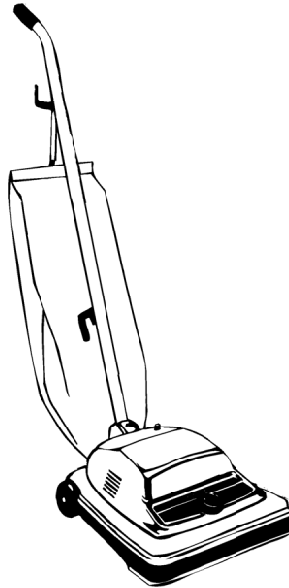


**Nilfisk  
Advance**

*setting standards*

11/04 revised 7/05 FORM NO. 56042456



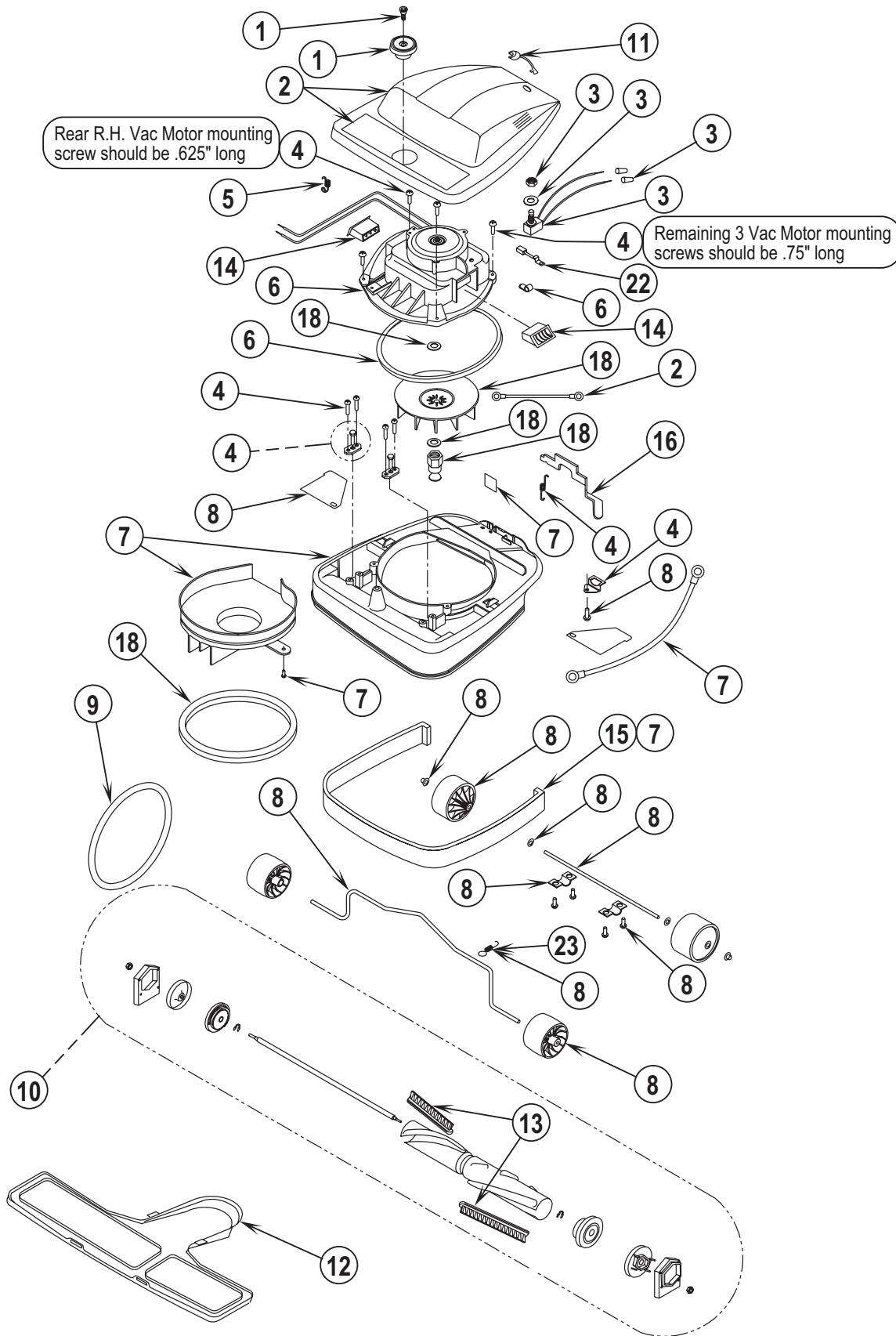


<b>DESCRIPTION</b>	<b>PAGE</b>
Base Assembly.....	2-3
Handle Assembly .....	4-5
Wiring Diagram .....	5

**WHEN ORDERING PARTS**

- \* Use the 8 digit numbers from the "Ref. No." columns in this parts list.
- \* Specify the model and serial number of the machine.
- \* Use the space below to record the model and serial number for future reference.

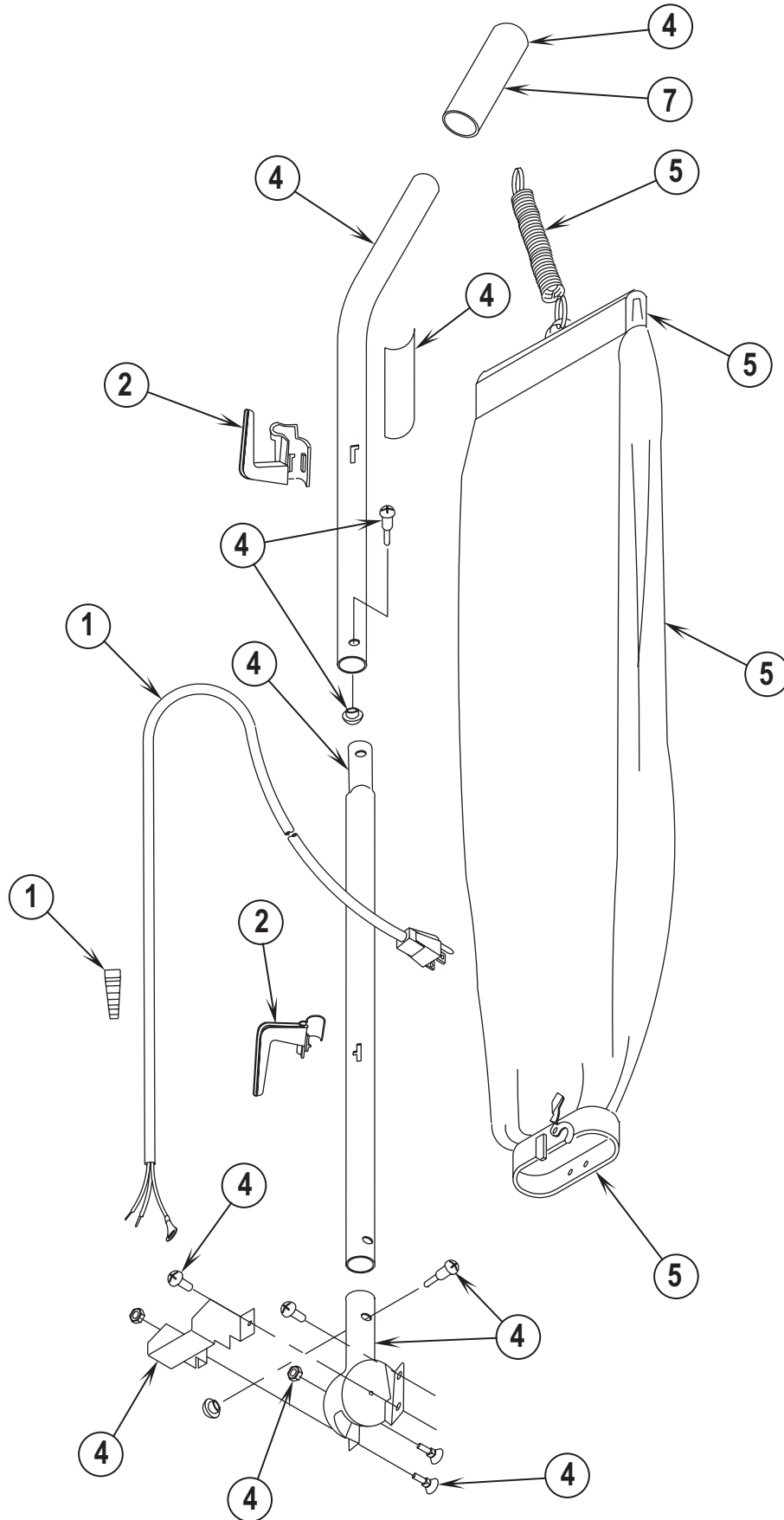
Model \_\_\_\_\_ Serial No. \_\_\_\_\_



04-11	<b>BASE ASSEMBLY</b>		
05-7	<b>ReliaVac™ 12</b>		<b>3</b>

Item	Ref. No.	Qty	Description
1	56648400	1	Brush Height Knob Assembly
2	56648401	1	Hood Assembly
3	56648405	1	Switch Assembly
4	56648410	1	Hardware Kit Base
5	56630765	2	Spring, Ext .304d .930l .055wd
6	56648406	1	Motor & Seal Assembly
7	56648407	1	Base Assembly
8	56648422	1	Wheel Assembly
9	56630563	1	Belt-Disturbulator Drive
10	56630489	1	Disturbulator, Assembly
11	56648417	1	Power Cord Assembly (see #1 on page 5)
12	56630478	1	Asm, Plate--Bottom
13	56648412	1	Brush Strip Kit
14	56648418	1	Air Duct Assembly
15	56630508	1	Guard, Furn--Clear Blue, 31.00l
16	56630395	1	Pedal, Foot--Uprt, White
18	56648420	1	Pulley and Fan Kit
22	56630561	2	Carbon Brush, Mtr
23	56630620	1	Spring, Ext .275d 1.50l .024wd
**	56052964	1	Magnet, Permanent
**	56630325	1	Upright Vacuum Accessory Kit

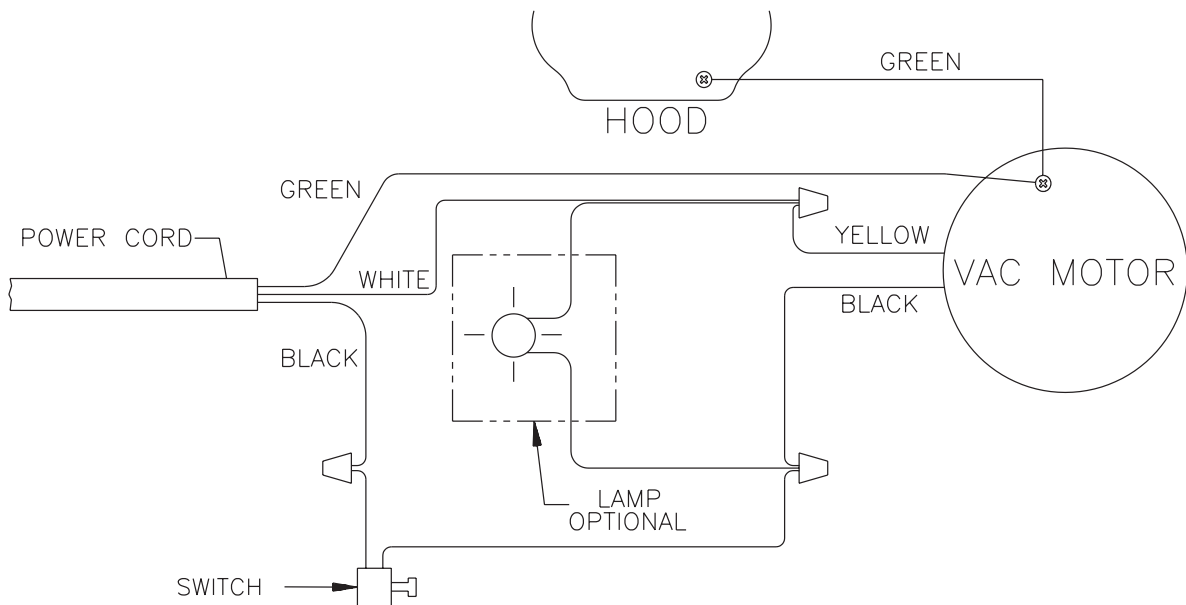
\* = Not Shown  
\*\* = Not Included (optional)



Item	Ref. No.	Qty	Description
1	56648417	1	Power Cord Assembly (see #11 on page 3)
2	56648421	1	Hook Assembly
4	56648424	1	Handle Assembly
5	56648423	1	Bag Assembly
7	56648429	1	Grip, Handle—Dark Gray
**	56035451	1	Asm, Bag Zip Gray TYT HD Com
**	56637120	A/R	Disposable Paper Bag (pkg of 10)
**	56039515	1	Kit, Dirt Cup Conversion
**	56630249	1	Dirt Cup, Clear Plastic
**	56648404	1	Dirt Cup Bag Kit
**	56648427	1	Dirt Cup Bellows Kit

\* = Not Shown

\*\* = Not Included (optional)





**Nilfisk  
Advance**

*setting standards*

Nilfisk-Advance, Inc.  
14600 21st Avenue North  
Plymouth, MN 55447-3408  
[www.nilfisk-advance.com](http://www.nilfisk-advance.com)  
Phone: 800-989-2235  
Fax: 800-989-6566  
©2005 Printed in China