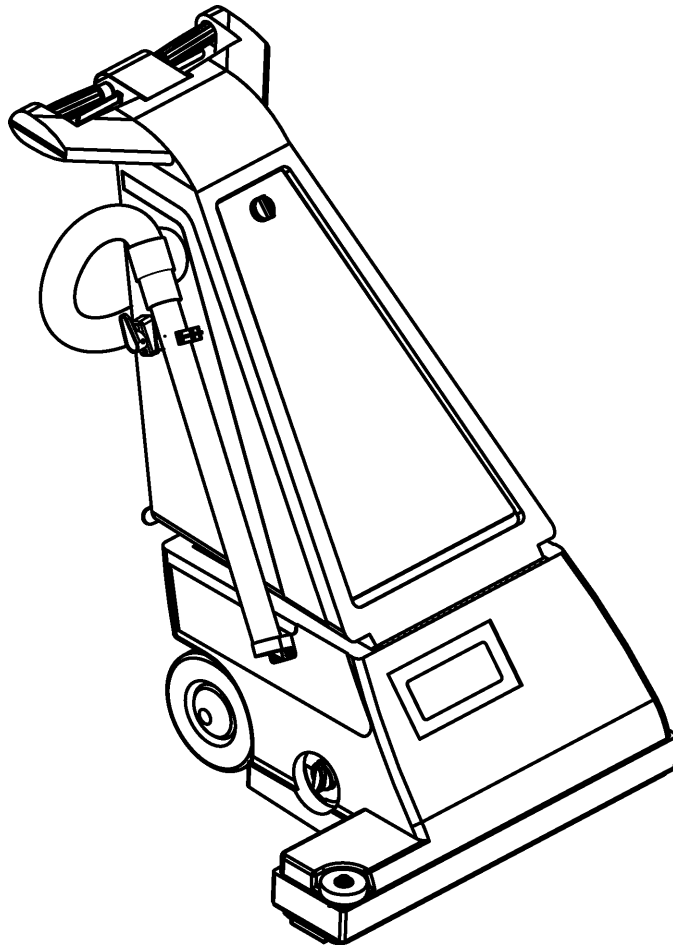


Champion™ 28



PARTS LIST

Kent MODEL 56648330

This manual is for machines after SN1588572.

KENT

Simple. Clean.

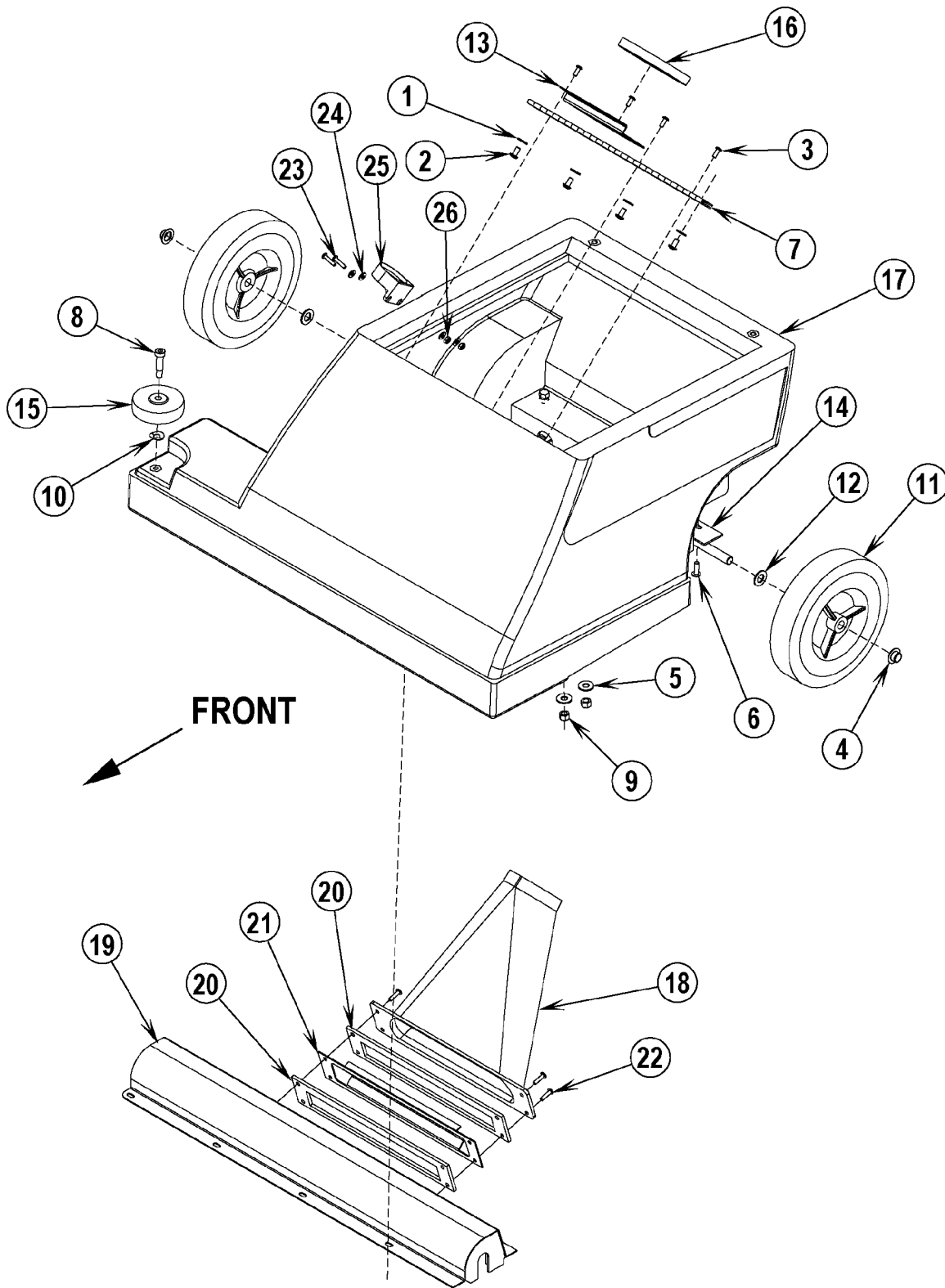
5/02 revised 4/06 FORM NO. 56042434

DESCRIPTION	PAGE
Base Housing.....	2-3
Brush Motor / Brush Assembly.....	4-5
Decal System.....	6-7
Handle System-1 (Before SN1887477).....	8-9
Handle System-2 (Before SN1887477).....	10-11
Handle System-1 (After SN1887476).....	12-13
Handle System-2 (After SN1887476).....	14-15
Wiring Diagram.....	16-17

WHEN ORDERING PARTS

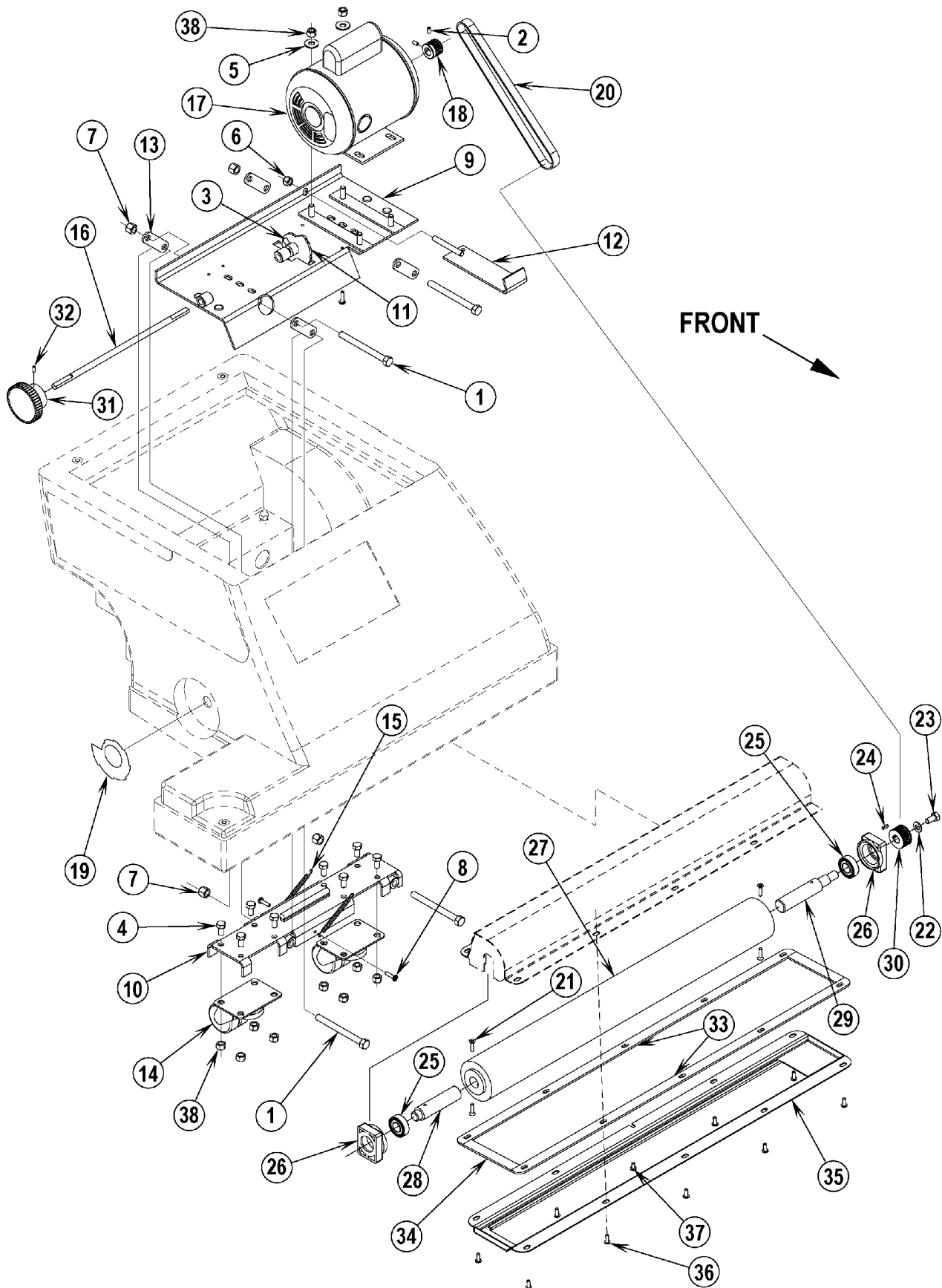
- * Use the 8 digit numbers from the "Ref. No." columns in this parts list.
- * Specify the model and serial number of the machine.
- * Use the space below to record the model and serial number for future reference.

Model _____ Serial No. _____



02-5	BASE HOUSING		
05-4	Champion™ 28		3

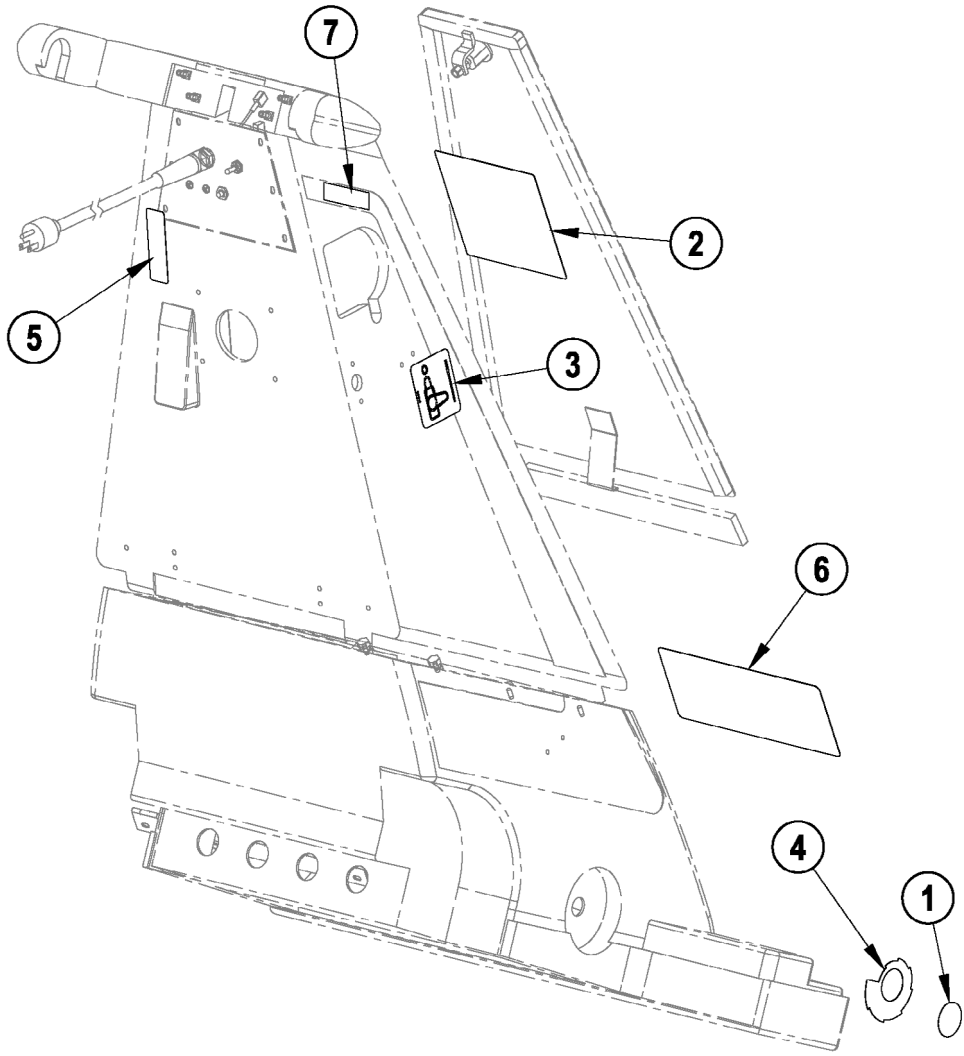
Item	Ref. No.	Qty	Description
1	56002098	4	Wsh, Flt SAE 1/4
2	56002145	4	Scr, Pan Phil 1/4-20 x .50
3	56002147	4	Scr, Pan Phil (UNF) 10-32 x .20
4	56009097	2	Nut, Push Cap
5	56002220	4	Wsh, Flt Std 5/16
6	56002507	2	Scr, Pan Phil 1/4-20 x .75
7	56055213	1	Hinge, Butt
8	56003472	1	Scr, Soc Shd .38 x 1.00 x 5/16-18
9	56002701	4	Nut, Hex Nyl Loc 5/16-18
10	56009024	1	Wsh, Bowed .375 x .844 x .060
11	56210148	2	Wheel
12	56009003	2	Wsh, Flt .516 x .938 x .075
13	56055217	1	Bracket, Intake Tube
14	56330045	1	Weldment, Axle
15	56049261	1	Wheel
16	56055054	1	Gasket, Foam
17	56330010	1	Tank, Base Machined
	56330011	1	Brush Housing Assembly (#18-22)
18	56055121	1	Tube, Intake Machined
19	56034673	1	Weldment, Brush Housing
20	56055122	2	Gasket
21	56055615	1	Plate, Stl
22	56002192	1	Scr, Pan Phil 10-24 x .75
23	56002733	2	Scr, Pan Phil 10-24 x .88
24	56001954	4	Wsh, Flt SAE #10
25	56331151	1	Holder, Tube
26	56002832	2	Nut, Hex Nyl Loc-Thin 10-24



02-5	BRUSH MOTOR / BRUSH ASSEMBLY		
05-4	Champion™ 28		5

Item	Ref. No.	Qty	Description
	56330012	1	Brush, Motor Assy (#1-18, 38)
1	56001819	4	Scr, Hex Hd 3/8-16 x 4.00
2	56001823	2	Scr, Soc Set Loc 10-24 x .38
3	56002021	1	Scr, Soc Set Loc 5/16-18 x .38
4	56002035	8	Scr, Hex Hd 5/16-18 x .62
5	56002220	2	Wsh, Flt Std 5/16
6	56002701	1	Nut, Hex Nyl Loc 5/16-18
7	56002769	4	Nut, Hex Nyl Loc 3/8-16
8	56009043	4	Scr, Pan Phil Thd Form 10-24 x .75
9	56034675	1	Weld't, Motor Bracket
10	56034677	1	Caster Bracket Weldment
11	56034679	1	Weld't, Cam Height Adjustment
12	56034691	1	Weld't, Adjustment Bracket
13	56055031	4	Steel, Bar
14	56055134	2	Caster, 2.00 dia
15	56055135	2	Spring, Ext
16	56055137	1	Shaft, Height Adjustment
17	56330013	1	Motor, 1/3 HP
*	56755056	1	Capacitor 400-480Mfd. (replacement for 56330013)
18	56330016	1	Sheave, Poly V Belt
19	56057686	1	Label, Height Adj.
20	56055123	1	Belt, Poly V
	56330015	1	Brush Assembly (#21-30)
21	56001900	4	Scr, Flt Phil 10-24 x .75
22	56001939	1	Wsh, Flt SAE 5/16
23	56002929	1	Scr, Hex Hd Loc 5/16-18 x .62
24	56003235	1	Key, Sq .12 x .44
25	56027222	2	Bearing, Ball
26	56055030	2	Mount, Bearing
27	56055126	1	Brush, Cylinder
28	56055127	1	Shaft, Brush
29	56330014	1	Shaft, Brush
30	56330914	1	Sheave, Poly V Belt
31	56475480	1	Knob
32	56003123	1	Scr, Soc Set 10-24 x .38
33	56055187	2	Gasket, Foam
34	56052279	2	Foam Gasket Strip
35	56055033	1	Plate, Bottom, SS, 28 in. Upright
36	56002147	9	Scr, Pan Phil (UNF) 10-32 x .20
37	56009030	1	Scr, Pan Phil Thd Form 10-24 x .38
38	56002826	10	Nut, Hex Nyl Loc-Thin 5/16-18

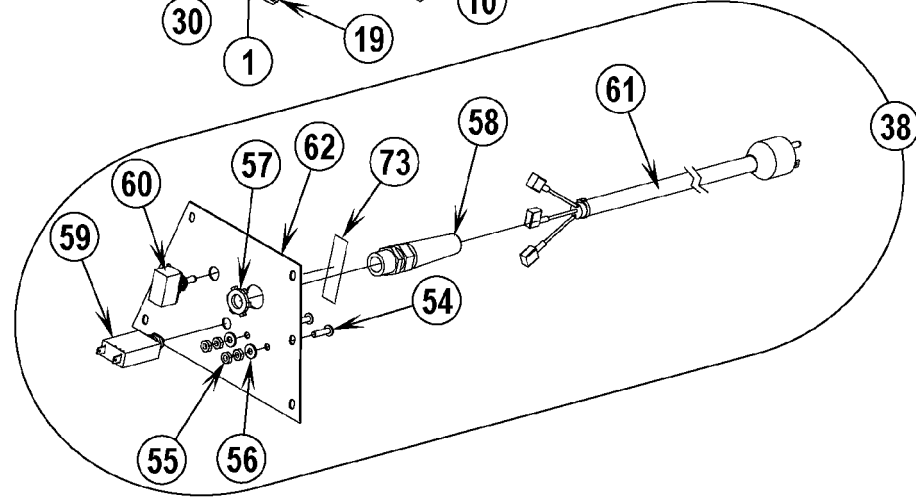
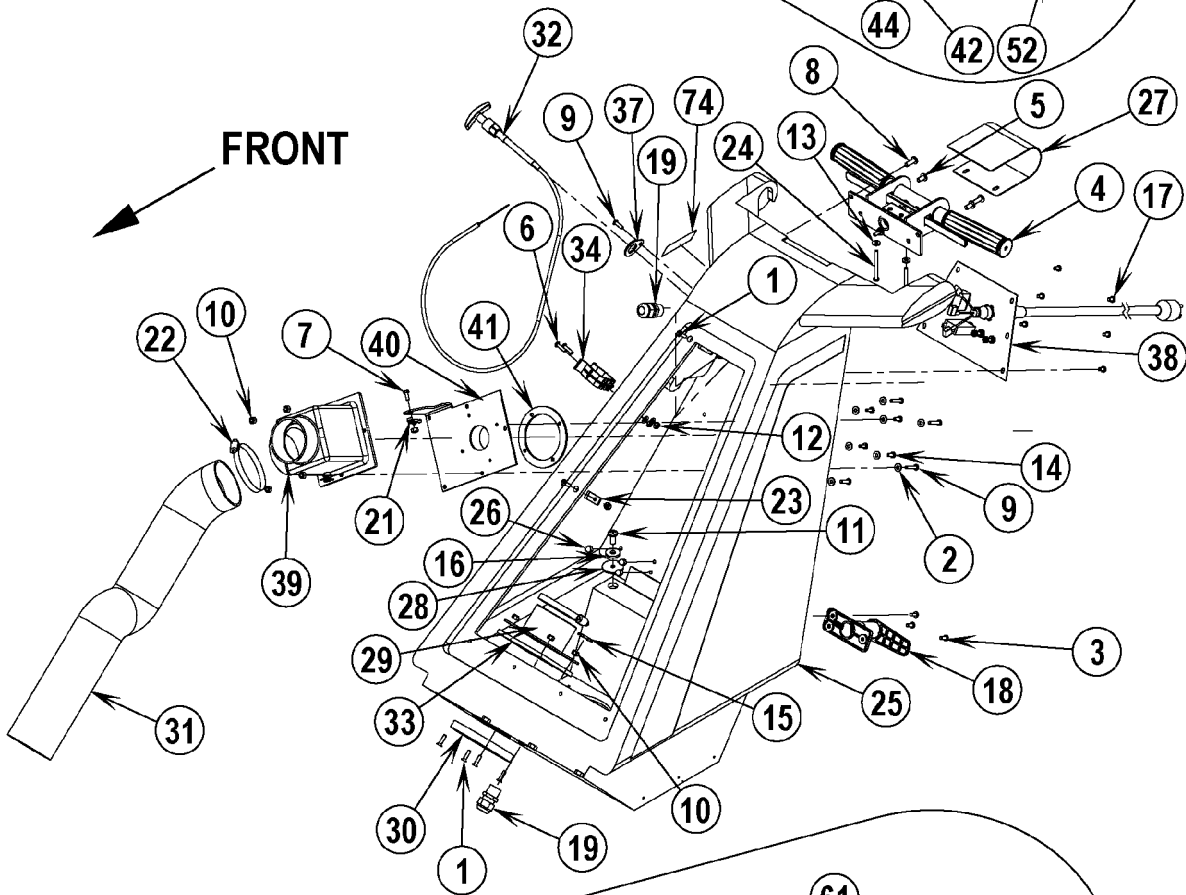
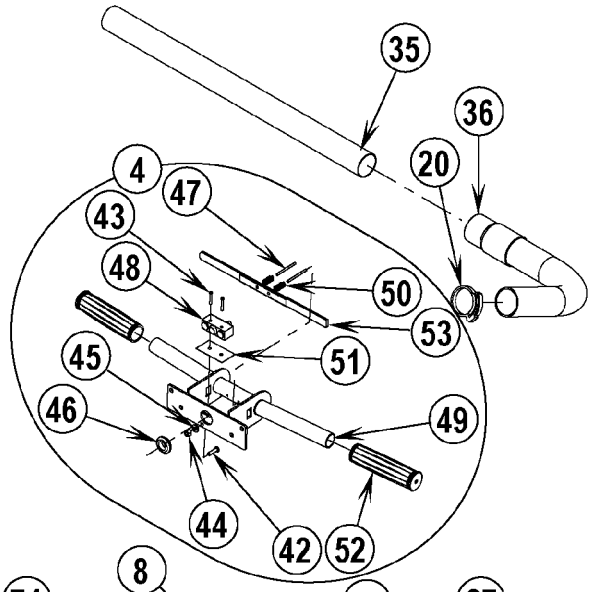
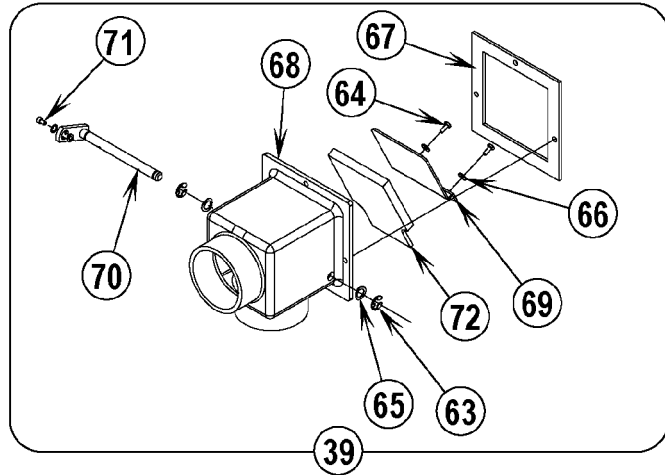
* = Not Shown



02-5	DECAL SYSTEM		
05-9	Champion™ 28		7

Item	Ref. No.	Qty	Description
1	56015188	1	Decal, Knob
2	56016472	1	Decal, Wiring
3	56016619	1	Decal, Wand (After SN1887476)
4	56057686	1	Label, Height Adjust
5	56630714	1	Label, Warning
6	56016329	1	Decal, Champion 28
7	56016475	1	Decal, Wand (Before SN1887477)
*	56014119	6	Decal, Ground Symbol

* = Not Shown

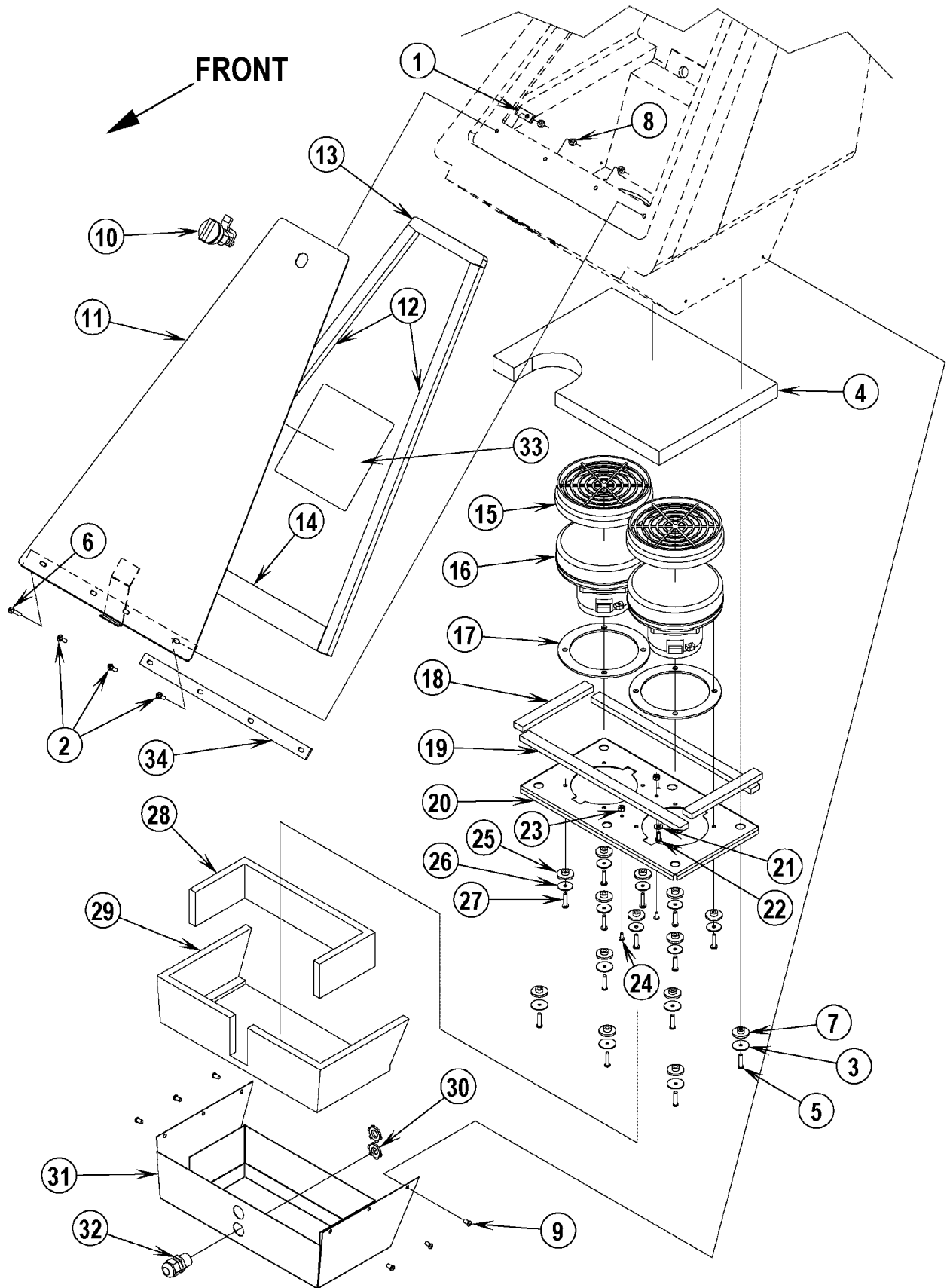


02-5	HANDLE SYSTEM-1 (Before SN1887477)		
05-9	Champion™ 28		9

Item	Ref. No.	Qty	Description	Item	Ref. No.	Qty	Description
1	56001900	6	Scr, Flt Phil 10-24 x .75	38	56330918	1	Electrical Assy (#54-62)
2	56001954	11	Wsh, Flt SAE #10	39	56330018	1	Butterfly Assy (#63-72)
3	56001993	6	Scr, Pan Phil 10-24 x .50	40	56330021	1	Tube Weld't.
4	56330005	1	Handle Assy (#42-53)	41	56330909	1	Gasket
5	56002145	2	Scr, Pan Phil 1/4-20 x .50	42	56002192	1	Scr, Pan Phil 10-24 x .75
6	56002192	4	Scr, Pan Phil 10-24 x .75	43	56002857	2	Scr, Pan Phil 6-32 x .88
7	56002503	1	Scr, Hex Hd 10-24 x .50	44	56009009	1	Nut, Hex Machine 10-24
8	56002507	2	Scr, Pan Phil 1/4-20 x .75	45	56009011	1	Wsh, Int SHPRF #10
9	56002674	4	Scr, Pan Phil 10-24 x 1.00	46	56497610	1	Grommet
10	56002768	17	Nut, Hex Nyl Loc 10-24	47	56003502	2	Pin
11	56002793	2	Scr, Pan Phil 5/16-18 x .75	48	56026412	1	Switch, Push
12	56002832	2	Nut, Hex Nyl Loc-Thin 10-24	49	56034663	1	Weld't, Handle
13	56009011	2	Wsh, Int SHPRF #10	50	56046648	2	Spring
14	56009029	4	Scr, Pan Phil Thd Form 10-24 x .50	51	56046653	1	Insulation Paper
15	56009095	2	Nut, Conduit Lock 1/2-14	52	56047418	2	Hand Grip
16	56009122	2	Wsh, Flt .344 x .938 x .125	53	56050274	1	Trigger
17	56009247	12	Scr, Pan Phil Plastite 10-14 x .38	54	56002192	2	Scr, Pan Phil 10-24 x .75
18	56171112	2	Cord Hook Assy	55	56009009	4	Nut, Hex Machine 10-24
19	56323135	2	Strain Relief	56	56009011	2	Wsh, Int SHPRF #10
20	56331304	1	Clamp, Hose	57	56009095	1	Nut, Conduit Lock 1/2-14
21	56344265	1	Clamp, Cable	58	56323136	1	Strain Relief
22	56352829	2	Clamp, Hose SAE #52	59	56387316	1	Circuit Breaker, 10 Amp
23	56385564	3	Clamp, P	60	56026973	1	Switch, Toggle
24	56003503	2	Scr, Pan Phil 10-24 x 2.25	61	56637610	1	Cord Set
25	56648332	1	Tank, Upper Machined	62	56643059	1	Cover, Access
26	56009061	6	Nut, Acorn SS 10-24	63	56003269	2	Ring, Ret Ext Type E Reinf .38 Dia
27	56639107	1	Weld't, Switchbox Cover	64	56009032	2	Scr, Hex Thd Form 6-32 x .38
28	56009275	2	Washer, Neoprene	65	56009045	2	Wsh, Bowed .375 x .578 x .060
29	56034690	1	Weld't, Hose Connector	66	56009056	2	Wsh, Int SHPRF #6
30	56055054	1	Gasket, Foam	67	56331312	1	Gasket
31	56055081	1	Hose, Vac	68	56331313	1	Housing
32	56331349	1	Cable	69	56331345	1	Plate
33	56055182	1	Gasket, Foam	70	56331356	1	Lever Weld't.
34	56331154	1	Clamp, Plastic	71	56442445	1	Swivel Wire
35	56331153	1	Wand	72	56331155	1	Seal
36	56331152	1	Hose Assy, Vac	73	56630714	1	Label, Warning
37	56330921	1	Plate	74	56016475	1	Decal, Wand

** 56323296 A/R Vacuum Tool Kit

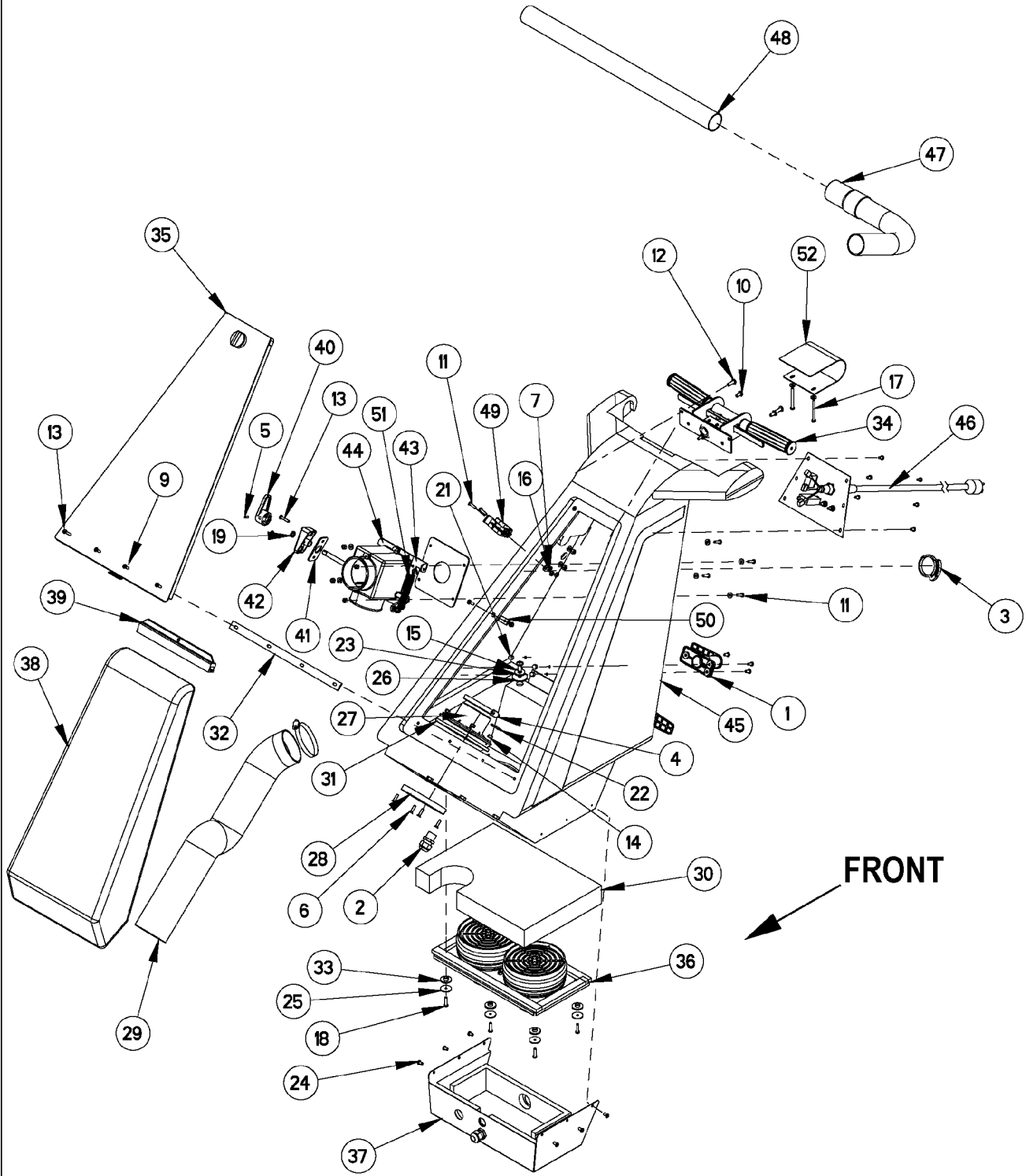
** = Optional



02-5	HANDLE SYSTEM-2 (Before SN1887477)		
05-9	Champion™ 28		11

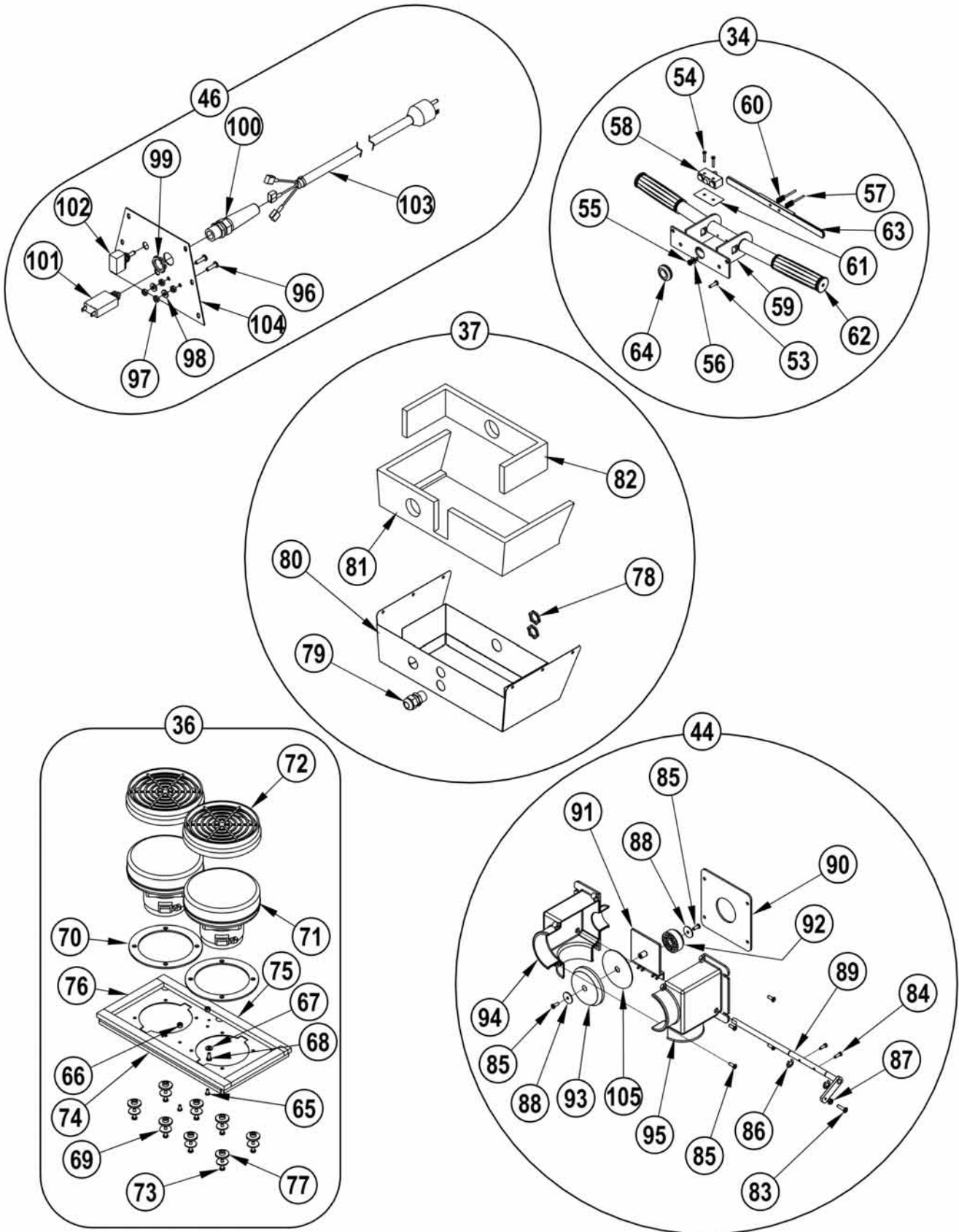
Item	Ref. No.	Qty	Description
1	56486112	1	Clamp, P
2	56002124	3	Scr, Pan Phil 10-24 x .62
3	56009268	6	Wsh, Flt .187 x 1.00 x .062
4	56055084	1	Guard, Bag
5	56003504	6	Scr, Pan Phil Plastite 10-14 x .88
6	56002674	1	Scr, Pan Phil 10-24 x 1.00
7	56111384	6	Rubber Bushing
8	56002768	4	Nut, Hex Nyl Loc 10-24
9	56009247	12	Scr, Pan Phil Plastite 10-14 x .38
	56330006	1	Door Assembly (#10-14)
10	56055050	1	Latch, Twist
11	56639110	1	Weldment, Door
12	56055053	2	Gasket
13	56009247	12	Scr, Pan Phil Plastite 10-14 x .38
14	56330033	1	Gasket
	56330007	1	Vacuum Motors Assy (#15-27)
15	56384898	2	Filter
16	56325096	2	Vacuum Motor
17	56209325	2	Gasket
18	56055042	2	Gasket, Foam
19	56055041	2	Gasket, Foam
20	56055023	1	Plate, Mtg Vac Motors
21	56009011	1	Wsh, Int Shprf #10
22	56009029	1	Scr, Pan Phil Thd Form 10-24 x .50
23	56002808	2	Nut, Hex Nyl Loc 8-32
24	56001818	2	Scr, Pan Phil 8-32 x .38
25	56111384	8	Rubber Bushing
26	56009096	8	Wsh, Flt .193 x .875 x .060
27	56003505	8	Scr, Pan Phil Thd Form 10-24 x .88
	56330008	1	Muffler Assembly (#28-32)
28	56055118	1	Gasket, Foam
29	56055117	1	Gasket, Foam
30	56009095	2	Nut, Conduit Lock 1/2-14
31	56034668	1	Weldment, Muffler
32	56323135	1	Strain Relief
33	56016472	1	Decal, Wiring
34	56055218	1	Gasket, Foam
*	56330589	1	Bag, Collector
*	56330608	1	Clip, Bag

* = Not Shown



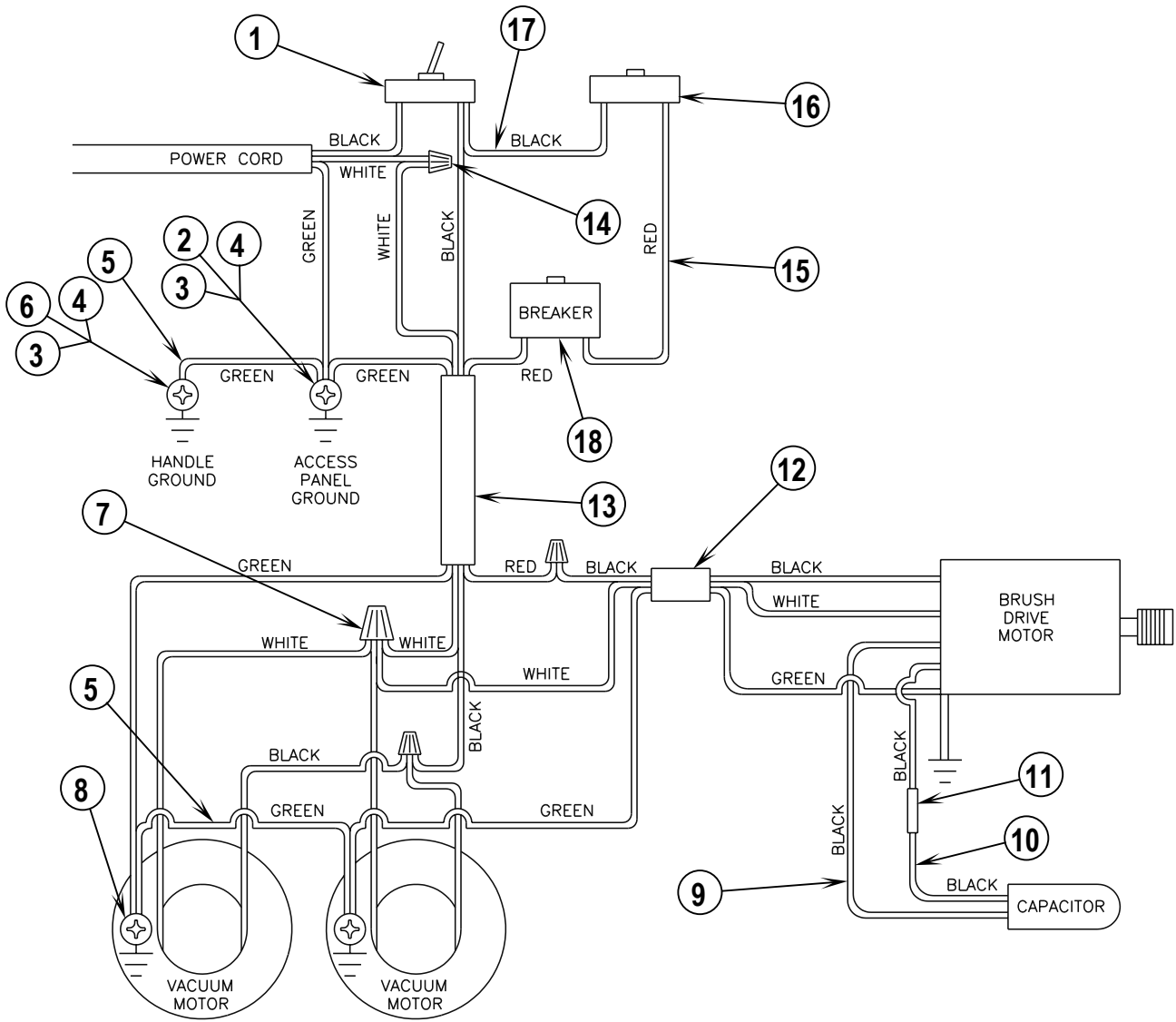
02-5	HANDLE SYSTEM-1 (After SN1887476)		
05-9	Champion™ 28		13

Item	Ref. No.	Qty	Description
1	56171112	2	Cord Hook Assy
2	56323135	2	Strain Relief
3	56331304	1	Clamp, Hose
4	56352829	2	Clamp, Hose SAE #52
5	56001823	1	Scr, Soc Set Loc 10-24 X .38
6	56001900	6	Scr, Flt Phil 10-24 X .75
7	56001954	10	Wsh, Flt SAE #10
8	56001993	6	Scr, Pan Phil 10-24 X .50
9	56002124	3	Scr, Pan Phil 10-24 X .62
10	56002145	2	Scr, Pan Phil 1/4-20 X .50
11	56002192	6	Scr, Pan Phil 10-24 X .75
12	56002507	2	Scr, Pan Phil 1/4-20 X .75
13	56002674	3	Scr, Pan Phil 10-24 X 1.00
14	56002768	16	Nut, Hex Nyl Loc 10-24
15	56002793	2	Scr, Pan Phil 5/16-18 X .75
16	56002832	2	Nut, Hex Nyl Loc-Thin 10-24
17	56003503	2	Scr, Pan Phil 10-24 X 2.25
18	56003504	6	Scr, Pan Phil Plastite 10-14 X .88
19	56003706	1	O-Ring, Quad
20	56009011	2	Wsh, Int Shprf #10
21	56009061	6	Nut, Acorn SS 10x24
22	56009095	2	Nut, Conduit Lock 1/2-14
23	56009122	2	Wsh, Flt .344 X .938 X .125
24	56009247	12	Scr, Pan Phil Plastite 10-14 X .38
25	56009268	6	Wsh, Flt .187 X 1.00 X .062
26	56009275	2	Washer, Neoprene
27	56034690	1	Hose Connector
28	56055054	1	Gasket, Foam
29	56055081	1	Hose, Vac
30	56055084	1	Guard, Bag
31	56055182	1	Gasket, Foam
32	56055218	1	Gasket, Foam
33	56111384	6	Rubber Bushing
34	56330005	1	Handle Assembly
35	56330006	1	Door Assembly
36	56330007	1	Vacuum Motors Assembly
37	56330008	1	Muffler Assembly
38	56330589	1	Bag, Collector
39	56330608	1	Clip, Bag
40	56330821	1	Lever
41	56330822	1	Gasket, Base
42	56330823	1	Base, Lever Mount
43	56330827	1	Bracket, Spring Mount
44	56330830	1	Vacuum Diverter Assembly
45	56330836	1	Tank, Upper Machined
46	56330918	1	Electrical Assembly
47	56331152	1	Hose Assembly, Vac
48	56331153	1	Wand
49	56331154	1	Clamp, Plastic
50	56385564	3	Clamp, P
51	56448112	1	Spring Ext
52	56639107	1	Weld't, Switchbox Cover

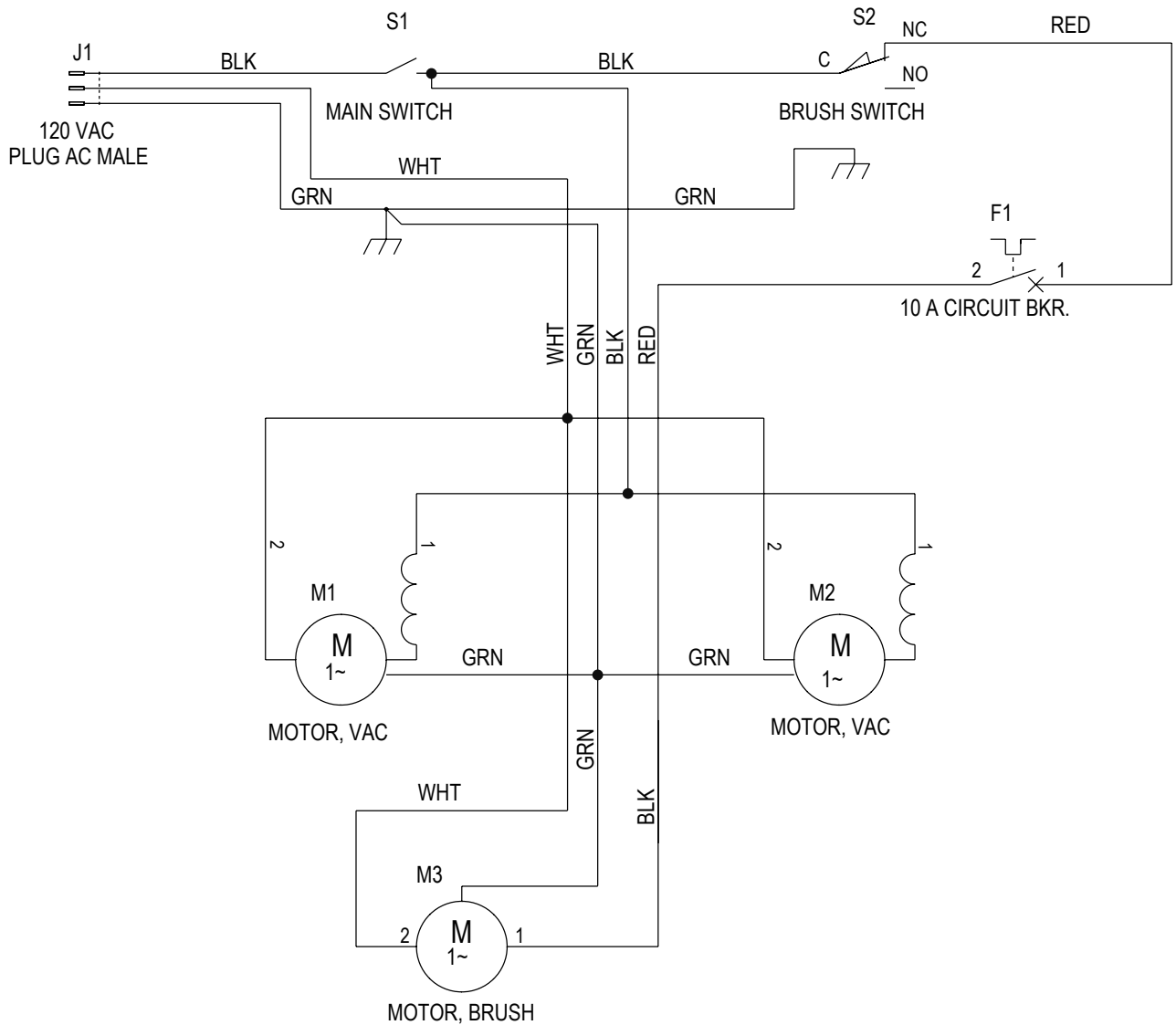


02-5	HANDLE SYSTEM-2 (After SN1887476)		
06-4	Champion™ 28		15

Item	Ref. No.	Qty	Description	Item	Ref. No.	Qty	Description
34	56330005	1	Handle Assy (#53-64)	44	56330830	1	Vacuum Diverter Assy (#83-95, 105)
53	56002192	1	Scr, Pan Phil 10-24 X .75	83	56002192	1	Scr, Pan Phil 10-24 x .75
54	56002857	2	Scr, Pan Phil 6-32 X .88	84	56002438	2	Scr, Hex Thd Form 8-32 x .50
55	56003502	2	Pin	85	56003093	6	Scr, Pan Phil Plastite 8-16 x .50
56	56009009	1	Nut, Hex Machine 10-24	86	56003269	2	Ring, Ret Ext Type E Reinf. 0.38 Dia
57	56009011	1	Wsh, Int Shprf #10	87	56009009	1	Nut, Hex Machine 10-24
58	56026412	1	Switch, Push	88	56009096	2	Wsh, Flt .193 x .875 x .060
59	56034663	1	Weldment, Handle	89	56330824	1	Shaft Weldment
60	56046648	2	Spring	90	56330828	1	Gasket, Housing
61	56046653	1	Insulation Paper	91	56330829	1	Plate, Diverter
62	56047418	2	Handle Grip	92	56330831	1	Seal, Wand Vacuum
63	56050274	1	Trigger	93	56330832	1	Seal, Brush Vacuum
64	56760212	1	Grommet	94	56330833	1	Housing, Left Half
				95	56330834	1	Housing, Right Half
36	56330007	1	Vacuum Motors Assy (#65-77)	105	56330837	1	Spacer Plate
65	56209325	2	Gasket				
66	56325096	2	Vacuum Motor	46	56330918	1	Electrical Assy (#96-104)
67	56384898	2	Filter	96	56323136	1	Strain Relief
68	56001818	2	Scr, Pan Phil 8-32 X .38	97	56387316	1	Circuit Breaker, 10 Amp
69	56002808	2	Nut, Hex Nyl Loc 8-32	98	56002192	2	Scr, Pan Phil 10-24 x .75
70	56003505	8	Scr, Pan Phil Thd Form 10-24 X .88	99	56009009	4	Nut, Hex Machine 10-24
71	56009011	1	Wsh, Int Shprf #10	100	56009011	2	Wsh, Int Shprf #10
72	56009029	1	Scr, Pan Phil Thd Form 10-24 X .50	101	56009095	1	Nut, Conduit Lock 1/2-14
73	56009096	8	Wsh, Flt .193 X .875 X .060	102	56026973	1	Switch, Toggle
74	56055023	1	Plate, Mtg Vac Motors	103	56637610	1	Cord Set
75	56055041	2	Gasket, Foam	104	56643059	1	Cover, Access
76	56055042	2	Gasket, Foam				
77	56111384	8	Rubber Bushing				
37	56330008	1	Muffler Assy (#78-82)				
78	56323135	1	Strain Relief				
79	56009095	2	Nut, Conduit Lock 1/2-14				
80	56034668	1	Weldment, Muffler				
81	56055117	1	Gasket, Foam				
82	56055118	1	Gasket, Foam				



Item	Ref. No.	Qty	Description	Item	Ref. No.	Qty	Description
1	56026973	1	Switch, Toggle	F1	56387316	1	Circuit Breaker, 10 Amp
2	56002192	1	Scr, Pan Phil 10-24 x .75	J1	56637610	1	Cord Set, 120V
3	56009011	6	Wsh, Int Shprf #10	M1	56325096	1	Vacuum Motor
4	56009009	6	Nut, Hex 10-24	*	56203518	2	Carbon Brush Set for 56325096
5	56900727	2	Asm, Wire	M2	56325096	1	Vacuum Motor
6	56002124	1	Scr, Pan Phil 10-24 x .62	*	56203518	2	Carbon Brush Set for 56325096
7	56151353	1	Nut, Wire	M3	56330013	1	Brush Motor, 1/3hp
8	56009030	2	Scr, Pan Phil Thd Form 10-24 x .38	*	56755056	1	Replacement Capacitor for 56330013
9	56900646	1	Asm, Wire	S1	56026973	1	Main Switch
10	56900646	1	Asm, Wire	S2	56026412	1	Brush Switch
11	56481562	1	Splice, Conductor				
12	56025903	1	Cable, Elect				
13	56025897	1	Asm, Wire				
14	56321737	3	Nut, Wire				
15	56900643	1	Asm, Wire				
16	56026412	1	Switch, Push				
17	56900646	1	Asm, Wire				
18	56387316	1	Circuit Breaker				



KENT
Simple. Clean.
14600 21st Avenue North
Plymouth, MN, 55447-3408
www.kenturoclean.com
Phone: 800-334-1083
Fax: 866-261-4779
©2006 Kent