

- ☑ Powdered Soap Dispenser
- ☑ Surface-Mounted
- ☑ Stainless Steel Container and Cover

Product Materials

CONTAINER: stainless steel with satin finish.

COVER: polished stainless steel.

DISPENSING MECHANISM: stainless steel.

WALL PLATE: chrome-plated steel.

Capacity

32-oz. powdered soap.

Operation

Depress knob to dispense powdered soap. Top secured by special lock and key and hinged to provide full access for filling. Dispenses .2 tsp. per use.

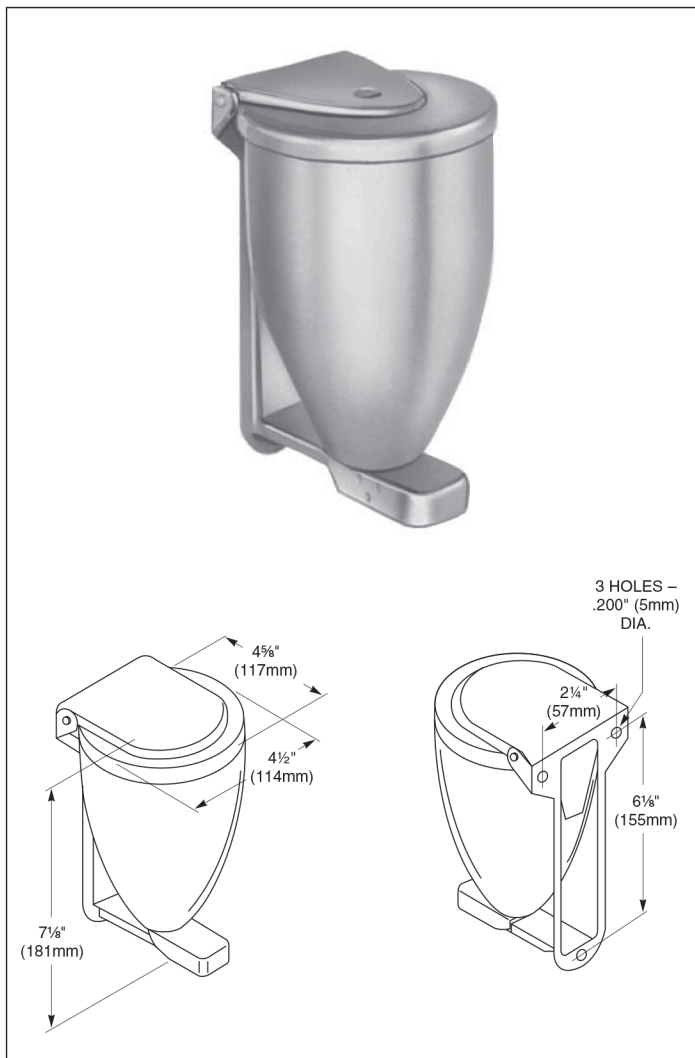
Installation

Verify all rough-in dimensions prior to installation. Disassemble dispenser and mounting bracket. Secure bracket to wall with mounting screws at holes provided. Reattach dispenser. If mounted under a shelf, allow 5" clearance for filling.

Guide Specification

Powdered soap dispenser shall be fabricated of chrome plated steel and stainless steel, and equipped with a rocking action, controlled delivery mechanism. Capacity: 32-oz. powdered soap.

Overall dimensions: 4½"W x 7⅞"H x 4⅝"D.



**Washroom Accessories
Document No. 8700**