



MADE
IN THE **USA**

Product Description:

- Protective Wear Dispenser - Shoe Cover
- Holds one box of shoe covers
- Keyholes for wall mounting
- Stainless Steel

Primary Area for Product Usage:

- Anywhere protective equipment products are needed

Dispenses:

- Box(es) no larger than 10.31"W x 11.00"H x 6.75"D (26.2 cm x 27.9 cm x 17.1 cm)
- Box(es) no smaller than 9.31"W x 8.00"H x 5.00"D (23.6 cm x 20.3 cm x 12.7 cm)

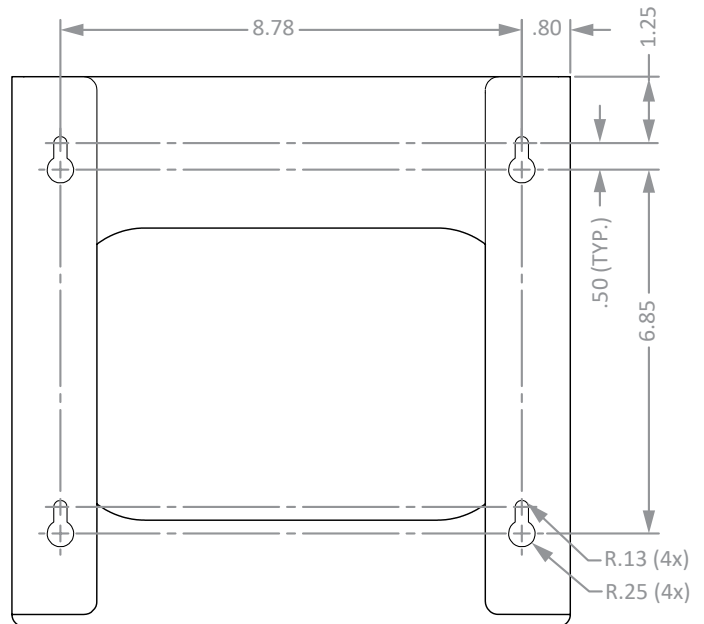
Package Specifications:

- Package Quantity: 6 per case
- 20"W x 16"H x 12"D (50.8 cm x 40.6 cm x 30.5 cm)
- 15.0 lbs (6.8 kg) - approximated

Product Specifications (overall external dimensions):

- 10.37"W x 10.35"H x 6.84"D (26.3 cm x 26.3 cm x 17.4 cm)
- 2.1 lbs (1.0 kg) - approximated

Mounting Specifications:



Associated Products (each sold separately):

- SP-003: Protective Wear Dispenser - Shoe Cover (shown below)
- PD007-0300: Protective Wear Dispenser - Cap/Shoe Cover

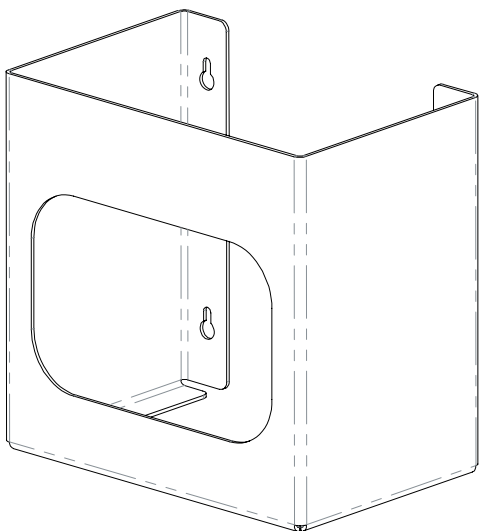




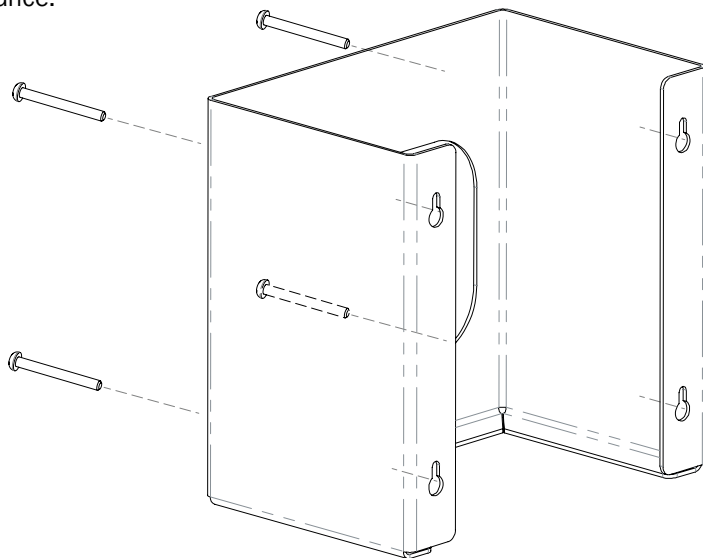
Installation

Always mount dispensers securely *prior* to loading with product.

- Open front design accommodates a wide variety of box perforations.



- Mount securely to a wall with screws approved and supplied by building maintenance.



Parts included:

- Dispenser

Tools Required:

- No tools required to assemble dispenser

Characteristics & Care Stainless Steel

Material Characteristics

Designed for Long-Term, Heavy-Duty Applications

Stainless steel is used overwhelmingly for its corrosion and oxidation resistance characteristics. Along with being sturdy, stainless steel is also fire and heat resistant.

The work-hardening properties of stainless steel gives the material a great strength-to-weight advantage over other materials. It also provides impact resistance and high toughness in extreme temperatures.

Stainless steel has a bright, stain resistant surface and pleasing aesthetic appearance.

Care and Cleaning

Stainless steel resists a variety of common chemicals and cleaning agents. Clean using warm water, a gentle detergent, and soft cloth.

Standard hospital cleaning supplies are approved for use on our stainless steel products. Dry thoroughly to avoid spotting. Do not use steel wool.