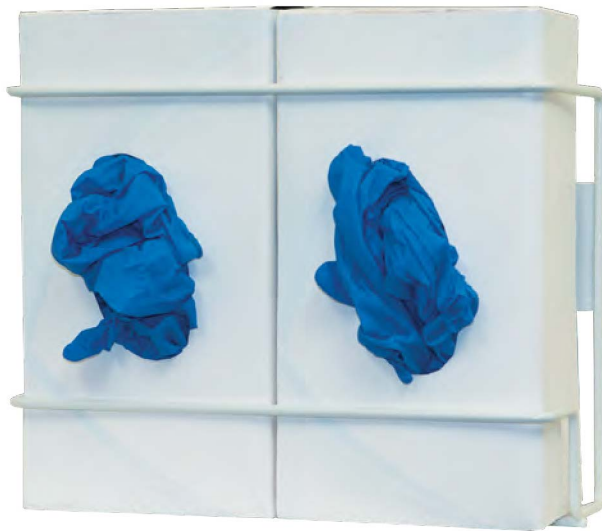
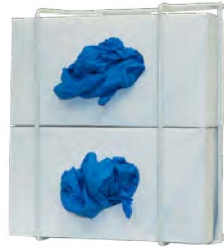




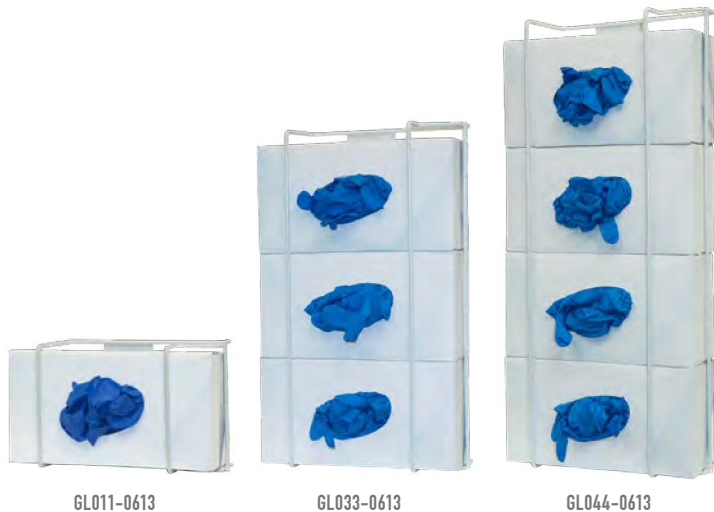
Mounted vertically



* Imported

Related Products (each sold separately):

- GL011-0613 : Glove Box Dispenser - Single - Coated Wire
- GL033-0613 : Glove Box Dispenser - Triple - Coated Wire
- GL044-0613 : Glove Box Dispenser - Quad - Coated Wire



GL011-0613

GL033-0613

GL044-0613

Product Description:

- Glove Box Dispenser - Double
- 2 each per pack
- Holds two boxes of gloves
- Slot holes for vertical or horizontal wall mounting
- White Coated-Wire

Primary Area for Product Usage:

- Anywhere gloves are needed

Dispenses:

- Box(es) no larger than 5.31"W x 10.00"H x 3.75"D (13.5 cm x 25.4 cm x 9.5 cm)
- Box(es) no smaller than 4.75"W x 8.25"H x 2.75"D (11.4 cm x 21.0 cm x 7.0 cm)

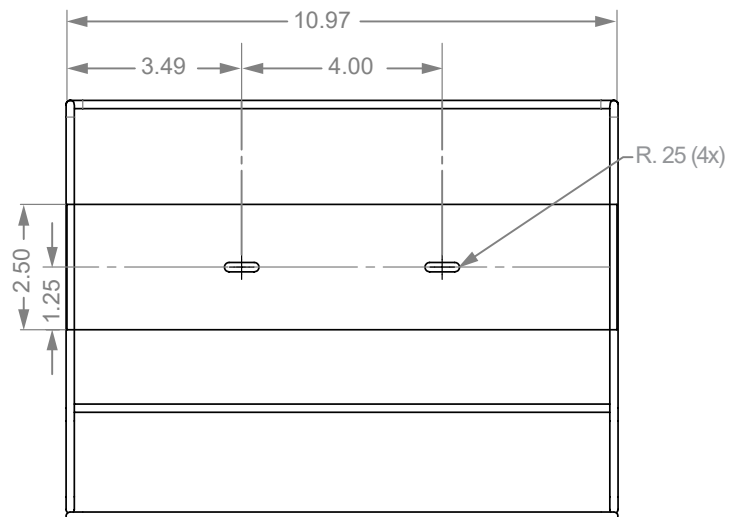
Package Specifications:

- Package Quantity: 6 per case
- 14"L x 9"W x 12"H (35.6 cm x 22.9 cm x 30.5 cm)
- 7.0 lbs (3.2 kg) - approximated

Product Specifications (overall external dimensions):

- 10.97"W x 8.16"H x 3.75"D (27.9 cm x 20.7 cm x 9.5 cm)
- 1.0 lbs (0.4 kg) - approximated

Mounting Specifications:

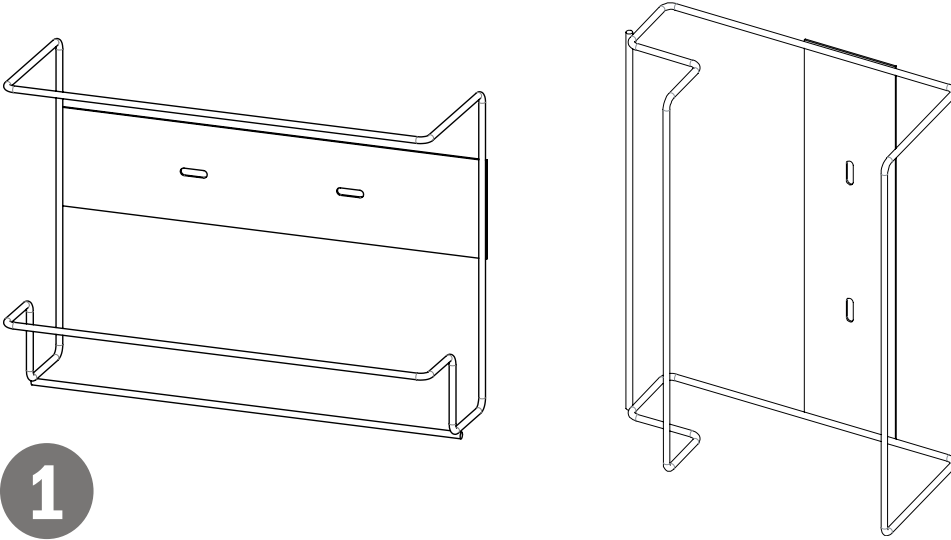




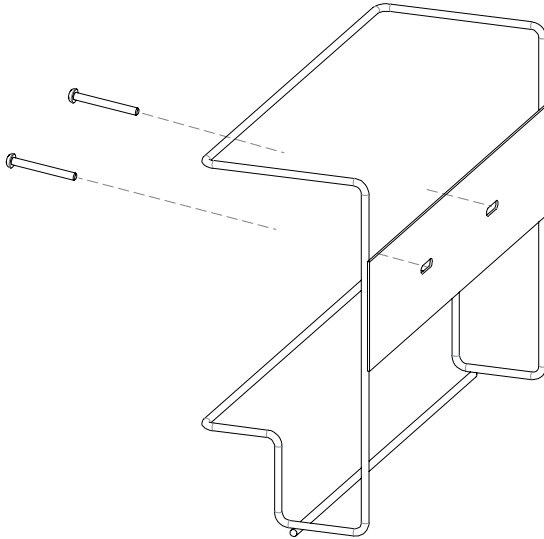
Installation

Always mount dispensers securely *prior* to loading with product.

- Unique design allows same dispenser to be mounted vertically or horizontally.



- Mount securely to a wall with screws approved and supplied by building maintenance.



Parts included:

- Dispenser

Tools Required:

- No tools required to assemble dispenser

Care and Construction

Coated-Wire

Material Characteristics

Designed for Long-Term, Heavy-Duty Applications

Dispensers made of wire provide a cost effective alternative and a simple solution for holding glove boxes. Our wire dispensers are made of heavy gauge wire to retain their shape and withstand normal use.

Wire dispensers come in a variety of sizes to fit your needs. Each of our new wire glove box dispensers can be mounted either horizontally or vertically. Single, double, triple, and quad glove box dispensers with their alternative mounting options ensure you have gloves when and where you need them.

Care and Cleaning

The coated finish resists common chemicals and can be wiped clean with soap and water.