



MADE IN THE USA

Product Description:

- Glove Box Dispenser - Triple
- Holds three boxes of gloves
- Keyholes for wall mounting
- Stainless Steel

Primary Area for Product Usage:

- All primary care areas: clinic/exam rooms, radiology, labs, physical therapy, O.R. areas, environmental services
- Anywhere glove boxes are needed

Dispenses:

- Box(es) no larger than 10.00"W x 5.50"H x 3.75"D (25.4 cm x 14.0 cm x 9.5 cm)
- Box(es) no smaller than 9.00"W x 4.50"H x 2.75"D (22.9 cm x 11.4 cm x 7.0 cm)

Package Specifications:

- Package Quantity: 4 per case
- 18"L x 16"W x 10"H (45.7 cm x 40.6 cm x 25.4 cm)
- 13.0 lbs (5.9 kg) - approximated

Product Specifications (overall external dimensions):

- 10.31"W x 14.28"H x 3.94"D (26.2 cm x 36.3 cm x 10.0 cm)
- 2.7 lbs (1.2 kg) - approximated

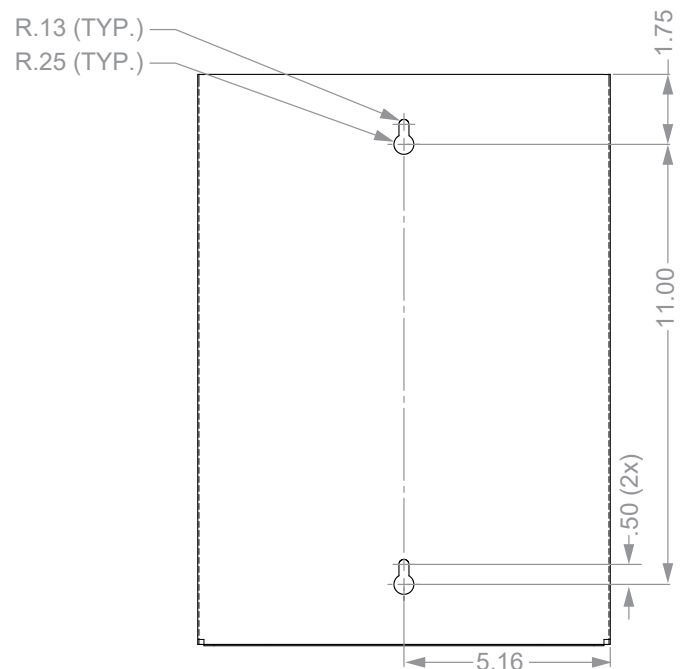
Mounting Specifications:

Alternative Products (each sold separately):

- GP-330, Glove Box Dispenser - Triple, Clear PETG Plastic



GP-330

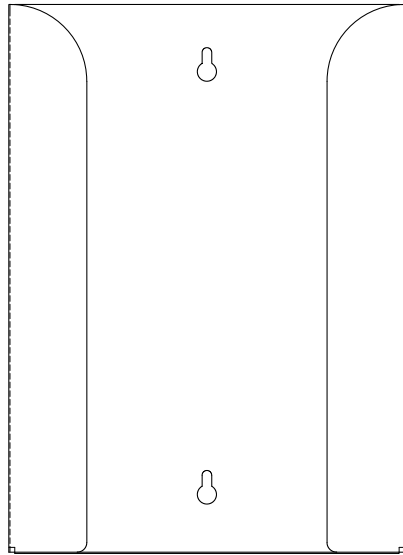




Installation

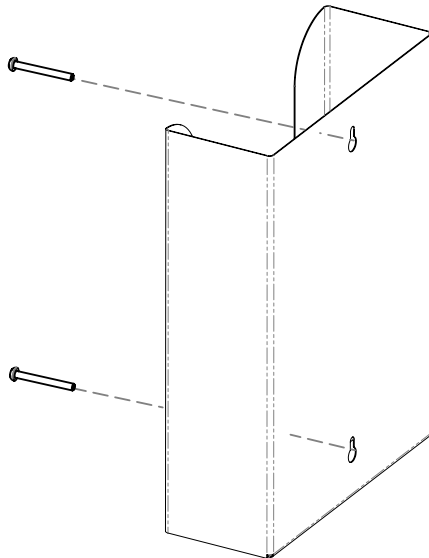
Always mount dispensers securely *prior* to loading with product.

- Open front allows for a wide variety of perforated glove box openings.



1

- Mount securely to a wall with screws approved and supplied by building maintenance.



2

Parts included:

- Dispenser

Tools Required:

- No tools required to assemble dispenser

Care and Construction

Stainless Steel

Material Characteristics

Designed for Long-Term, Heavy-Duty Applications

Stainless steel is used overwhelmingly for its corrosion and oxidation resistance characteristics. Along with being sturdy, stainless steel is also fire and heat resistant.

The work-hardening properties of stainless steel gives the material a great strength-to-weight advantage over other materials. It also provides impact resistance and high toughness in extreme temperatures.

Stainless steel has a bright, stain resistant surface and pleasing aesthetic appearance.

Care and Cleaning

Stainless steel resists a variety of common chemicals and cleaning agents. Clean using warm water, a gentle detergent, and soft cloth.

Standard hospital cleaning supplies are approved for use on our stainless steel products. Dry thoroughly to avoid spotting. Do not use steel wool.