



**MADE
IN THE USA**
PATENTED

Related Products (each sold separately):

- FM200-0212: Face Mask Dispenser - Universal - Shield (shown below)
- FM300-0212: Face Mask Dispenser - Universal - Cone

**Product Description:**

- Face Mask Dispenser - Universal Boxed - Earloop
- Holds a variety of boxed earloop face masks
- Keyholes for wall mounting
- Quartz Beige ABS Plastic

Primary Area for Product Usage:

- Anywhere face masks are needed

Dispenses:

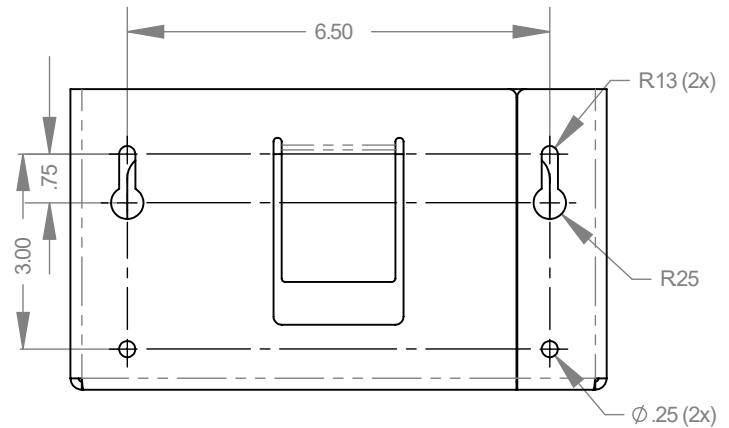
- Box(es) no smaller than 6.50"W x 4.00"H x 4.50"D (16.5 cm x 10.2 cm x 11.4 cm)
- Box(es) no larger than 8.00"W x 5.50"H x 5.50"D (11.4 cm x 14.0 cm x 14.0 cm)

Package Specifications:

- Package Quantity: 6 per case
- 16"L x 12"W x 12"H (40.6 cm x 30.5 cm x 30.5 cm)
- 6.0 lbs (2.7 kg) - approximated

Product Specifications (overall external dimensions):

- 8.25"W x 4.63"H x 5.75"D (21.0 cm x 11.8 cm x 14.6 cm)
- 0.5 lbs (0.2 kg) - approximated

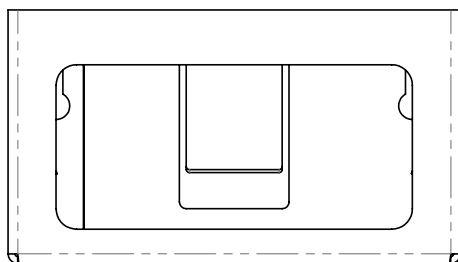
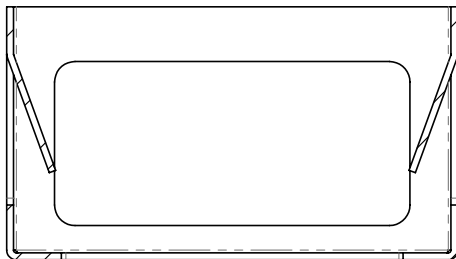
Mounting Specifications:



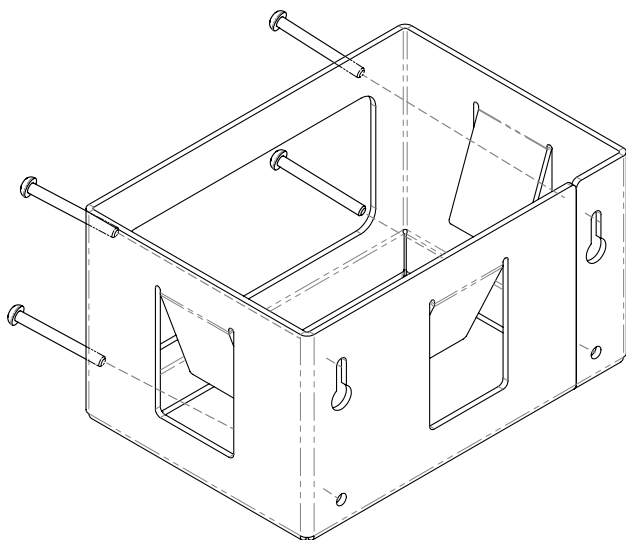
Installation

Always mount dispensers securely *prior* to loading with product.

- Side and back flexible tabs hold boxes securely even as supply diminishes.

**1**

- Mount securely to a wall with screws approved and supplied by building maintenance.

**2**

Parts included:

- Dispenser

Tools Required:

- No tools required to assemble dispenser

Care and Construction

ABS Plastic

Material Characteristics

Designed for Long-Term, Heavy-Duty Applications

The combination of copolymers (Acrylonitrile, Butadiene, and Styrene) gives ABS an excellent combination of strength, rigidity, and toughness. The fauxwood finish is ARVINYL laminate created from a semi-rigid film.

ABS is chemical and stress-crack resistant. It is tough, dimensionally stable, and will hold up to long-term use. To ensure product longevity, fauxwood products should not be mounted in very hot or cold areas.

Care and Cleaning

Use mild soap and water to clean. Petroleum-based oils, solvents, and paints should not be used.

Standard hospital cleaning supplies are approved for use on our ABS plastic products.