



MADE
IN THE **USA**

Product Description:

- Face Mask Dispenser - Tie
- Holds one box of tie masks
- Two sets of keyholes for dual position wall mounting
- Stainless Steel

Primary Area for Product Usage:

- Anywhere protective equipment products are needed

Dispenses:

- Box(es) no larger than 7.69"W x 9.50"H x 5.13"D (19.5 cm x 24.1 cm x 13.0 cm)
- Box(es) no smaller than 6.94"W x 5.50"H x 3.75"D (17.6 cm x 14.0 cm x 9.5 cm)

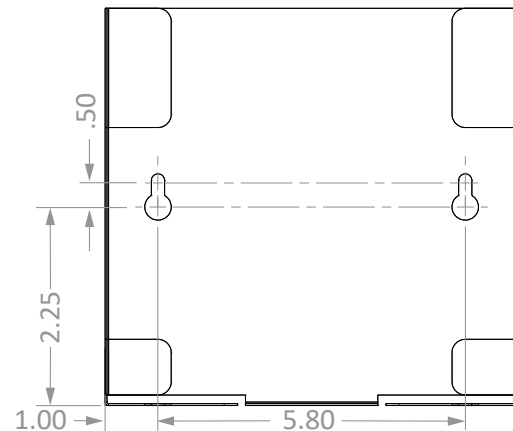
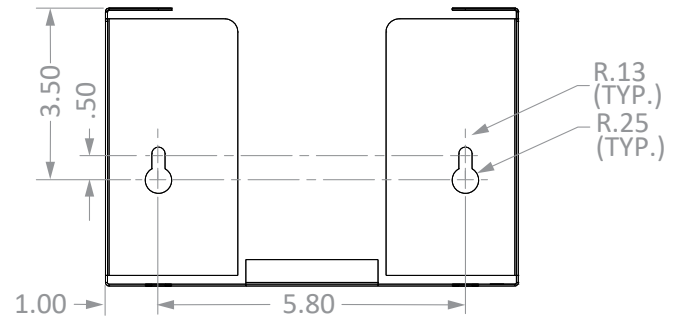
Package Specifications:

- Package Quantity: 12 per case
- 18"W x 16"H x 10"D (45.7 cm x 40.6 cm x 25.4 cm)
- 19.0 lbs (8.6 kg) - approximated

Product Specifications (overall external dimensions):

- 7.80"W x 7.50"H x 5.25"D (19.8 cm x 19.1 cm x 13.3 cm)
- 1.4 lb (0.6 kg) - approximated

Mounting Specifications:



Related Products (each sold separately):

- FB-063: Face Mask Dispenser - Tie (shown below)
- FM090-0300: Face Mask Dispenser - Shield

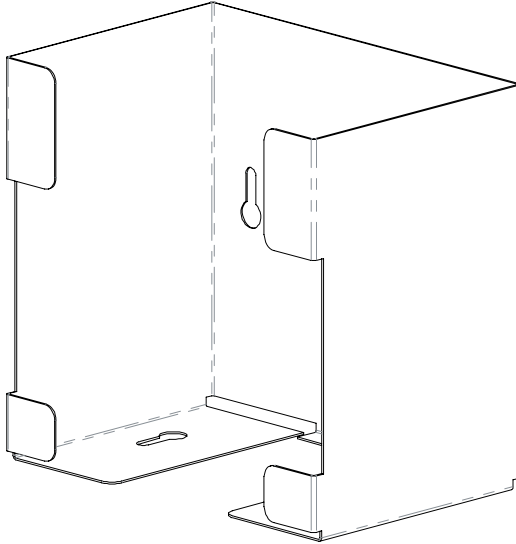




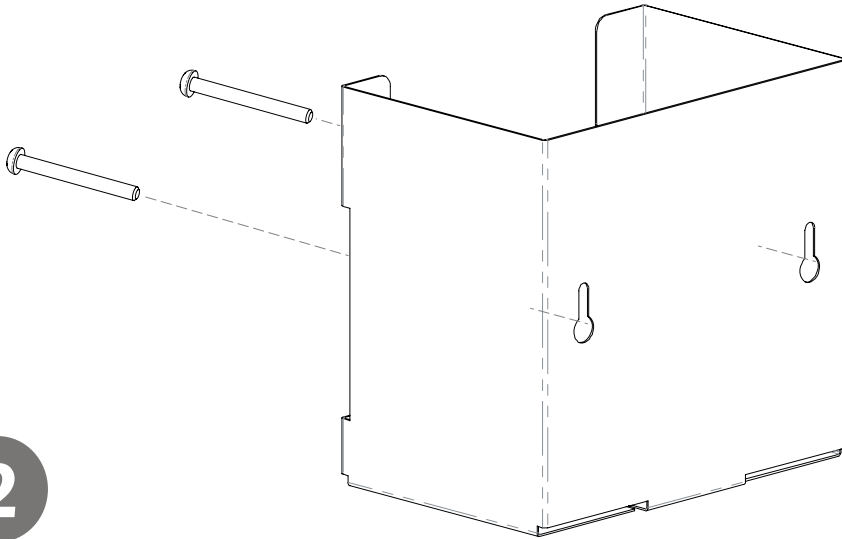
Installation

Always mount dispensers securely *prior* to loading with product.

- Mountable in two directions, dispenser is designed for wall mounting or inside a cabinet.

**1**

- Mount securely to a wall with screws approved and supplied by building maintenance.

**2****Parts included:**

- Dispenser

Tools Required:

- No tools required to assemble dispenser

Care and Construction

Stainless Steel

Material Characteristics

Designed for Long-Term, Heavy-Duty Applications

Stainless steel is used overwhelmingly for its corrosion and oxidation resistance characteristics. Along with being sturdy, stainless steel is also fire and heat resistant.

The work-hardening properties of stainless steel gives the material a great strength-to-weight advantage over other materials. It also provides impact resistance and high toughness in extreme temperatures.

Stainless steel has a bright, stain resistant surface and pleasing aesthetic appearance.

Care and Cleaning

Stainless steel resists a variety of common chemicals and cleaning agents. Clean using warm water, a gentle detergent, and soft cloth.

Standard hospital cleaning supplies are approved for use on our stainless steel products. Dry thoroughly to avoid spotting. Do not use steel wool.