



MADE
IN THE **USA**

Companion Products (each sold separately):

- FM013-0212: Face Mask Dispenser - Triple (shown below)



Product Description:

- Face Mask Dispenser - Quint
- Holds five boxes of earloop or tie masks
- Keyholes for wall mounting
- Quartz Beige ABS Plastic

Primary Area for Product Usage:

- Anywhere face masks are needed

Dispenses:

- Box(es) no larger than 7.80"W x 8.50"H x 5.50"D (17.2 cm x 21.6 cm x 14.0 cm)
- Box(es) no smaller than 6.75"W x 7.00"H x 4.13"D (10.9 cm x 17.8 cm x 10.5 cm)

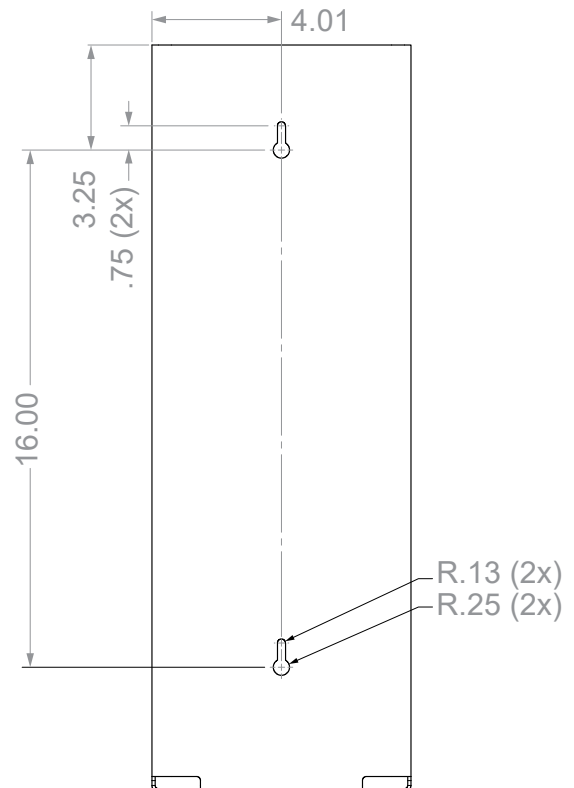
Package Specifications:

- Package Quantity: 2 per case
- 27"L x 12"W x 9"H (68.6 cm x 30.5 cm x 22.9 cm)
- 6.0 lbs (2.7 kg) - approximated

Product Specifications (overall external dimensions):

- 8.01"W x 23.11"H x 5.83"D (20.3 cm x 58.7 cm x 14.8 cm)
- 1.8 lbs (0.8 kg) - approximated

Mounting Specifications:

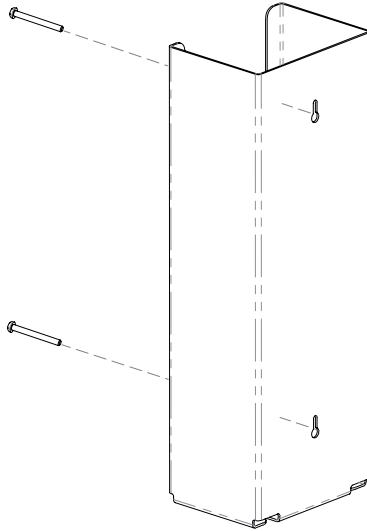




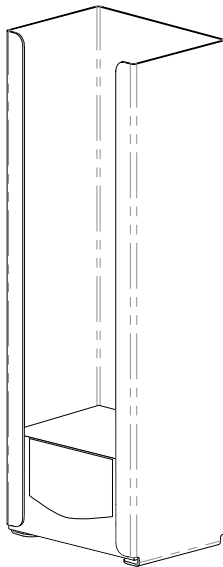
Installation

Always mount dispensers securely *prior* to loading with product.

- Mount securely to a wall with screws approved and supplied by building maintenance.



- Stack mask boxes so they dispense from the front of the dispenser.



Parts included:

- Dispenser

Tools Required:

- No tools required to assemble dispenser

Characteristics & Care

ABS Plastic

Material Characteristics

Designed for Long-Term, Heavy-Duty Applications

The combination of copolymers (Acrylonitrile, Butadiene, and Styrene) gives ABS an excellent combination of strength, rigidity, and toughness.

ABS is chemical, stress-crack resistant, dimensionally stable, and will hold up to long-term use. It possesses high strength and performance characteristics at a reasonable cost.

Care and Cleaning

Use mild soap and water to clean. Petroleum-based oils, solvents, and paints should not be used.

Standard hospital cleaning supplies are approved for use on our ABS plastic products.