



MADE IN THE USA

### Product Description:

- Face Mask Dispenser - Shield
- Holds one box of custom-sized face shields
- Keyholes for wall mounting
- Made of Clear PETG Plastic

### Primary Area for Product Usage:

- Surgical areas, interventional radiology, areas with a scrub sink

### Dispenses:

Custom manufacturers' extra-large surgical face shield boxes:

- Boxes no larger than 11.43"W x 10.00"H x 4.00"D (29.0 cm x 25.4 cm x 10.2 cm)
- Boxes no smaller than 10.50"W x 6.00"H x 3.25"D (26.7 cm x 15.2 cm x 8.3 cm)

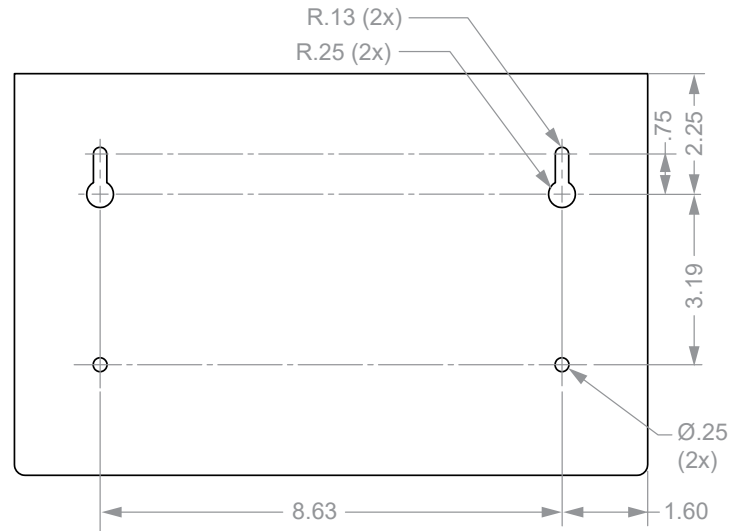
### Package Specifications:

- Package Quantity: 12 per case
- 20"L x 16"W x 12"H (50.8 cm x 40.6 cm x 30.5 cm)
- 14.0 lbs (6.4 kg) - approximated

### Product Specifications (overall external dimensions):

- 11.63"W x 7.40"H x 4.20"D (29.5 cm x 18.8 cm x 10.7 cm)
- 0.9 lbs (0.4 kg) - approximated

### Mounting Specifications:



### Companion Products (each sold separately):

- CL006-0212, Scrub Brush Dispenser
- CL007-0212, Scrub Brush Dispenser - Large



CL006-0212



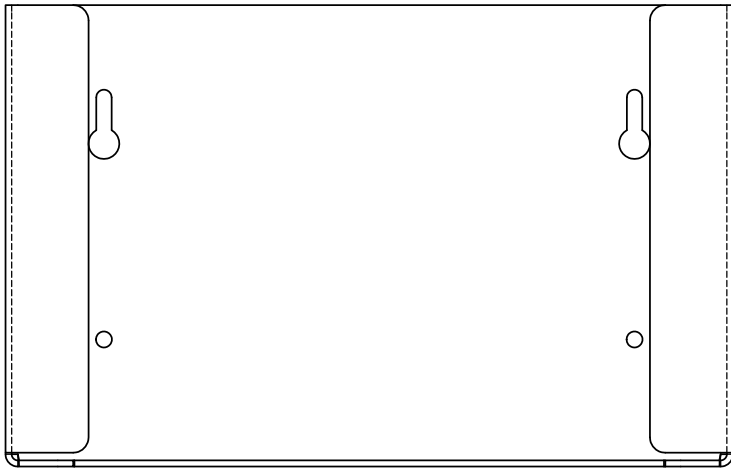
CL007-0212



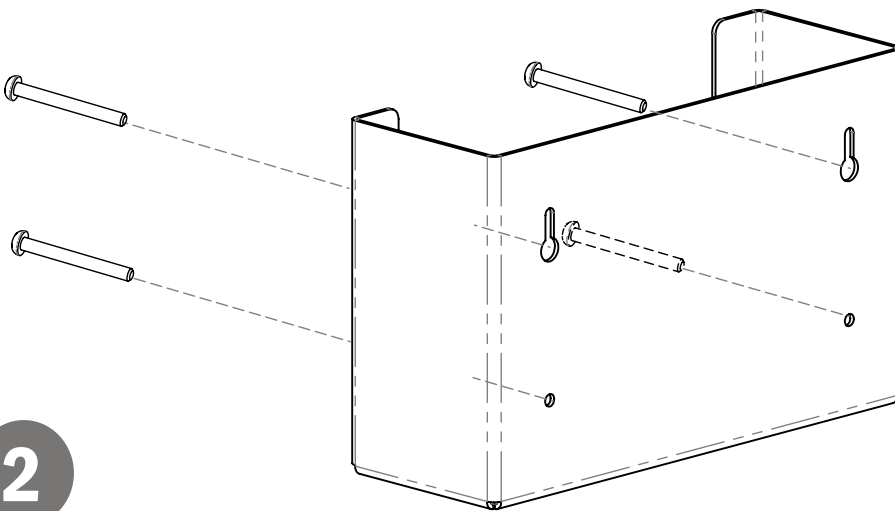
## Installation

Always mount dispensers securely *prior* to loading with product.

- Open front accommodates most dispensing perforations.



- Mount securely to a wall with screws approved and supplied by building maintenance.



### Parts included:

- Dispenser

### Tools Required:

- No tools required to assemble dispenser

## Characteristics & Care

### PETG Plastic

#### Material Characteristics

#### Designed for Long-Term Heavy-Duty Applications

Copolyester resin is designed for heavy-duty applications, and is used by BOWMAN® Dispensers. We never use acrylic in our products.

Copolyester (PETG) is typically 15-20 times tougher than general purpose acrylic. PETG is made to withstand handling and reduce losses due to breakage.

PETG resists a variety of chemicals and commonly used cleaning agents. It is tough and durable (not brittle), providing years of trouble-free functionality and long life.

Clear optical characteristics mean the viewer can see the content, read text, and see true colors through the material. It complies with FDA regulations for food contact.

#### Care and Cleaning

Most cleaning chemicals do not weaken the surface or cause damage to the material. Suggested cleaning method is to use a soft cloth, warm water, and mild soap.