



MADE IN THE USA

### Companion Products (each sold separately):

- MP-070, Sign Holder - Vertical (not pictured)
- MP-075, Sign Holder - Horizontal
- KS010-0412, Floor Stand

### Related Products (sold as kits):

- BD162-0012, Cover Your Cough Compliance Kit
  - FD-062, Respiratory Hygiene Station - Locking
  - KS010-0412, Floor Stand
  - MP-070, Sign Holder - Horizontal
- BD262-0012, Cover Your Cough Compliance Kit
  - FD-062, Respiratory Hygiene Station - Locking
  - MP-070, Sign Holder - Horizontal



BD162-0012



BD262-0012

### Product Description:

- Respiratory Hygiene Station - Locking
- Holds two boxes of face masks, one to two boxes of facial tissues, and one hand sanitizer bottle
- Hinged, locking lid over masks/tissues and flexible, locking lid to secure hand sanitizer bottle
- Keyholes for wall mounting, can sit on a counter, or mount to a floor stand
- Made of Quartz Beige ABS Plastic and Clear PETG Plastic

### Primary Area for Product Usage:

- Emergency and admitting departments, all ports of entry, outpatient radiology/MRI, outpatient labs and pharmacies

### Dispenses:

Most brand name boxes of face masks and tissues

- Bottle compartment: one bottle no larger than 3.75"W x 9.00"H x 3.75"D (9.5 cm x 22.9 cm x 9.5 cm)
- Center section: two boxes of facemasks no larger than 7.75"W x 4.00"H x 4.75"D (19.7 cm x 10.2 cm x 12.1 cm)
- Right section: one large or two small boxes of tissue no larger than 5.50"W x 10.00"H x 4.75"D (14.0 cm x 25.4 cm x 12.1 cm)

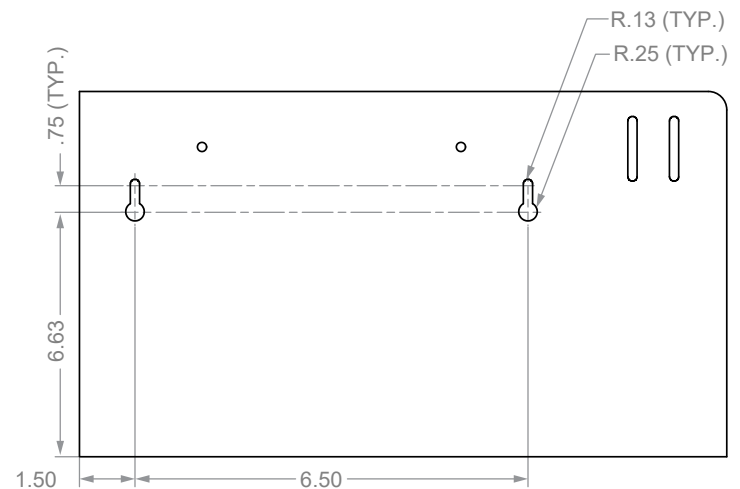
### Package Specifications:

- Package Quantity: 2 per case
- 21"W x 14"H x 10"D (53.3 cm x 35.6 cm x 25.4 cm)
- 6.0 lbs (2.7 kg) - approximated

### Product Specifications (overall external dimensions):

- 17.50"W x 10.00"H x 5.00"D (44.5 cm x 25.4 cm x 12.7 cm)
- 3.2 lbs (1.5 kg) - approximated

### Mounting Specifications:

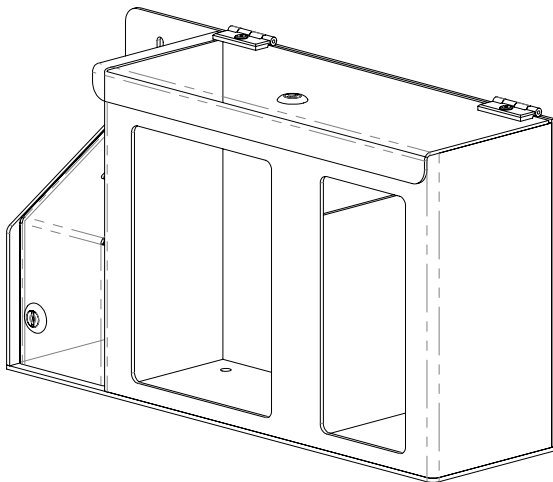




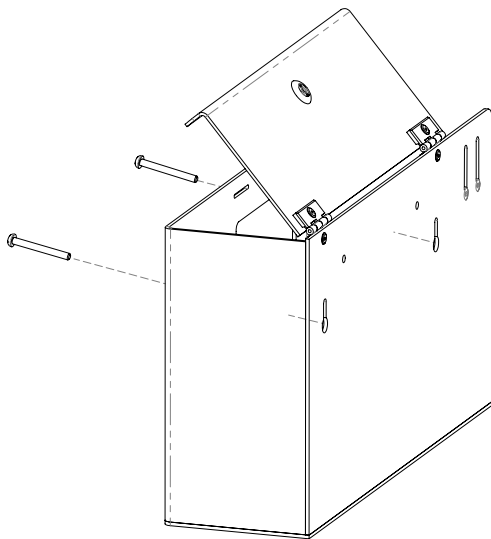
## Installation

Always mount dispensers securely *prior* to loading with product.

- Clear locking lids secure consumable items, yet provide stock visibility.
- Lid over sanitizer is adjustable for different height bottles.



- Mount securely to a wall with screws approved and supplied by building maintenance.



### Parts included:

- Dispenser

### Tools Required:

- No tools required to assemble dispenser

- It can also be mounted to a BOWMAN® Floor Stand (sold separately).

