



MADE  
IN THE **USA**

### Product Description:

- Face Mask Dispenser - Bulk
- Holds one box of earloop face masks in bulk
- Hinged lid with curved access
- Keyholes for wall mounting
- White ABS Plastic and Clear PETG Plastic

### Primary Area for Product Usage:

- Anywhere face masks are needed

### Dispenses:

- Earloop masks or miscellaneous items in bulk

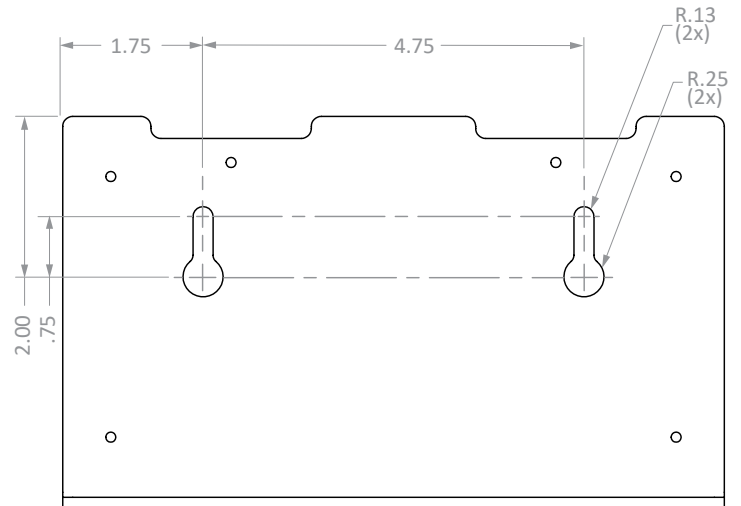
### Package Specifications:

- Package Quantity: 12 per case
- 18"W x 16"H x 10"D (45.7 cm x 40.6 cm x 25.4 cm)
- 13.0 lbs (5.9 kg) - approximated

### Product Specifications (overall external dimensions):

- 8.66"W x 4.98"H x 4.38"D (22.0 cm x 12.6 cm x 11.1 cm)
- 1.0 lb (0.4 kg) - approximated

### Mounting Specifications:



### Related Products (each sold separately):

- HP-010: Hairnet Dispenser - Bulk (shown below)

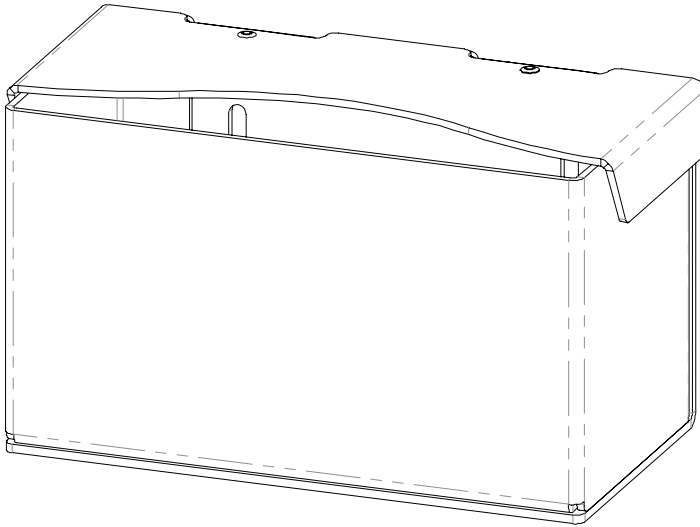




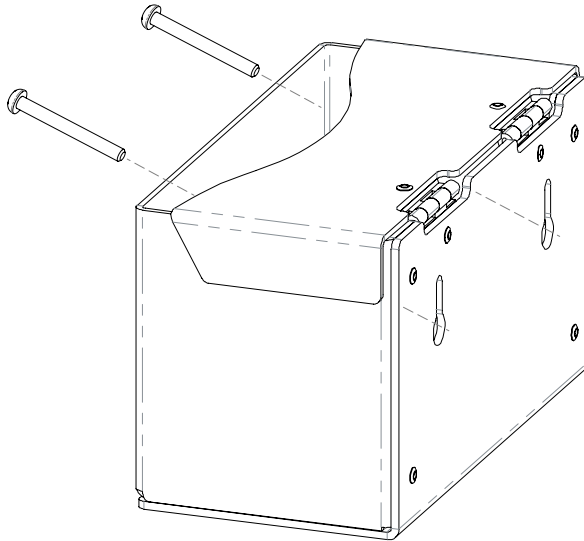
## Installation

Always mount dispensers securely *prior* to loading with product.

- Curved lid provides quicker access, while still reducing dust.
- Clear material offers full view of contents and supply level.



- Mount securely to a wall with screws approved and supplied by building maintenance.



### Parts included:

- Dispenser

### Tools Required:

- No tools required to assemble dispenser

## Care and Construction

ABS Plastic

### Material Characteristics

#### Designed for Long-Term, Heavy-Duty Applications

The combination of copolymers (Acrylonitrile, Butadiene, and Styrene) gives ABS an excellent combination of strength, rigidity, and toughness. The fauxwood finish is ARVINYL laminate created from a semi-rigid film.

ABS is chemical and stress-crack resistant. It is tough, dimensionally stable, and will hold up to long-term use. To ensure product longevity, fauxwood products should not be mounted in very hot or cold areas.

### Care and Cleaning

Use mild soap and water to clean. Petroleum-based oils, solvents, and paints should not be used.

Standard hospital cleaning supplies are approved for use on our ABS plastic products.