



MADE
IN THE **USA**

Related Products (each sold separately):

- FB-021: Face Mask Dispenser - Tie
- FB-037: Face Mask Dispenser - Earloop
- FB-090: Face Mask Dispenser - Shield (shown below)



Product Description:

- Face Mask Dispenser - Tie
- Holds one box of tie face masks
- Keyholes for wall mounting
- White Powder-Coated Steel

Primary Area for Product Usage:

- Anywhere face masks are needed

Dispenses:

- Box(es) no larger than 7.81"W x 9.69"H x 4.88"D (19.8 cm x 24.6 cm x 12.4 cm)
- Box(es) no smaller than 7.56"W x 5.70"H x 4.75"D (19.2 cm x 14.5 cm x 12.1 cm)

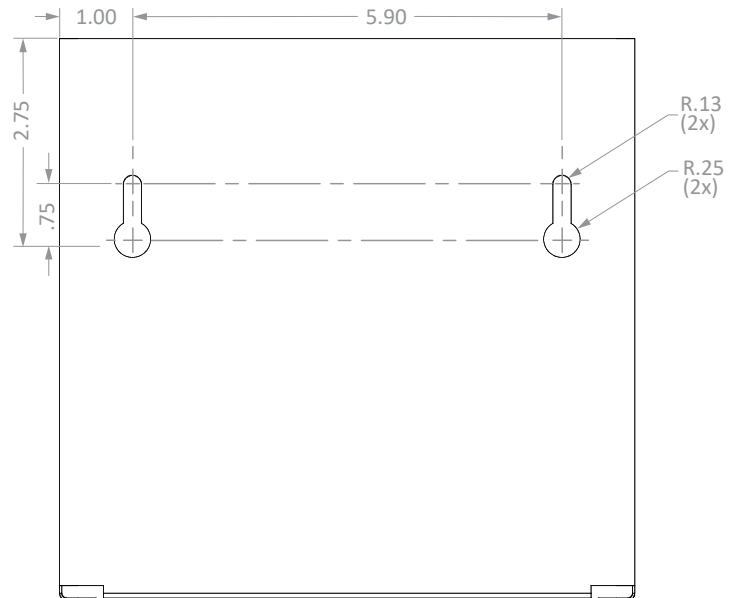
Package Specifications:

- Package Qty 12 per case
- 18"W x 16"H x 10"D (45.7 cm x 40.6 cm x 25.4 cm)
- 20 lbs (9.1 kg) - approximated

Product Specifications (overall external dimensions):

- 7.90"W x 7.70"H x 5.00"D (20.1 cm x 19.6 cm x 12.7 cm)
- 1.2 lb (0.5 kg) - approximated

Mounting Specifications:

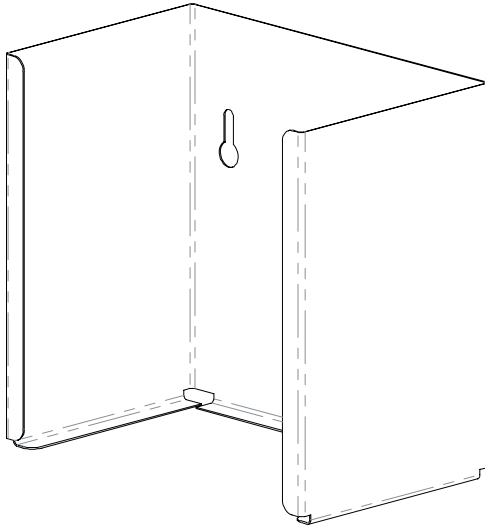




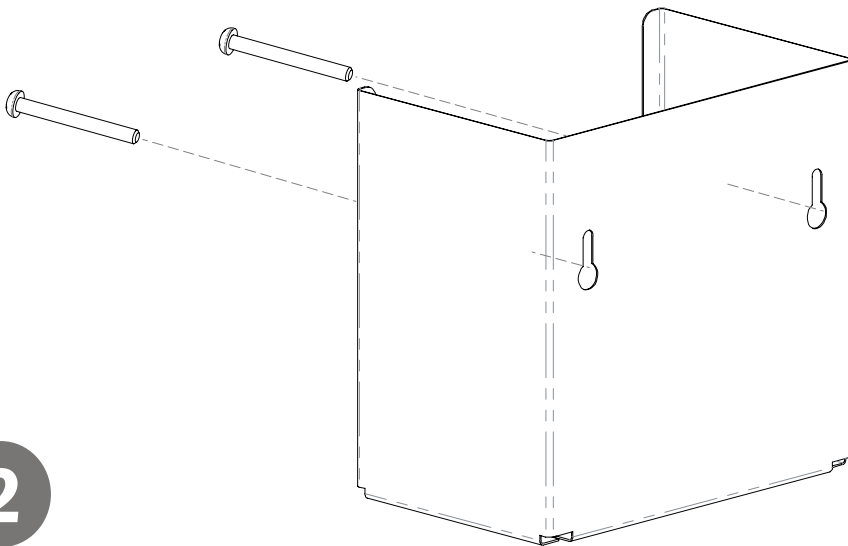
Installation

Always mount dispensers securely *prior* to loading with product.

- Custom fit sizing with short flanges mean there is maximum exposure of the box.
- Boxes may dispense from the top or front as perforated.



- Mount securely to a wall with screws approved and supplied by building maintenance.



Parts included:

- Dispenser

Tools Required:

- No tools required to assemble dispenser

Care and Construction

White Powder-Coated Steel

Material Characteristics

Designed for Long-Term, Heavy-Duty Applications

Our steel dispensers and stands are coated with polyester powders which makes them highly resistant to corrosion.

Powder-coated steel is ideal for dispensers used in a healthcare or an industrial setting because it is impact resistant and is not effected by extremes in temperature.

Dispensers and stands made of powder-coated steel are both attractive and functional, providing years of service.

Care and Cleaning

For best results, clean by washing the surface with a diluted solution of a mild, non-abrasive detergent in cold or warm water and a non-abrasive cloth. Standard hospital cleaning supplies can be used.

Dry with a soft cloth. Do not use any solvent-based materials, abrasives (e.g. Scotch-brite, steel wool), or apply excessive force during cleaning.