

**MADE  
IN THE USA****Product Description:**

- Face Mask Dispenser - Earloop Style
- Holds one box of earloop style face masks
- Keyholes for wall mounting
- White Powder-Coated Steel

**Primary Area for Product Usage:**

- Anywhere protective equipment is needed

**Dispenses:**

- Box(es) no larger than 7.50"W x 6.25"H x 4.00"D (19.1 cm x 15.9 cm x 10.2 cm)
- Box(es) no smaller than 7.25"W x 3.75"H x 3.75"D (18.4 cm x 9.5 cm x 9.5 cm)

**Package Specifications:**

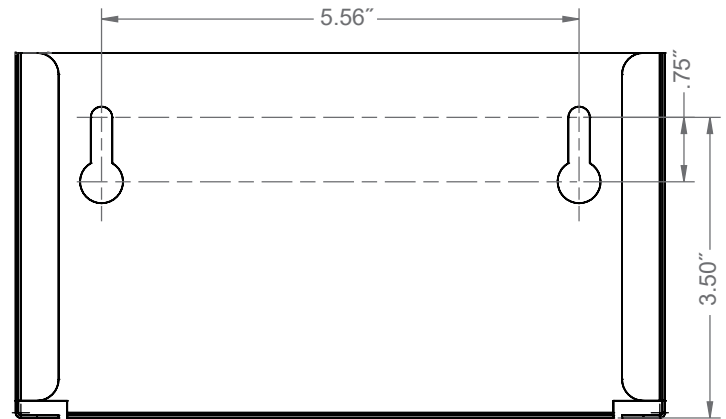
- Package Qty 12 per case
- 14"W x 12"H x 9"D (35.6 cm x 30.5 cm x 21.6 cm)
- 11.0 lbs (5.0 kg) - approximated

**Product Specifications (overall external dimensions):**

- 7.56"W x 4.25"H x 4.13"D (19.2 cm x 10.8 cm x 10.5 cm)
- 0.7 lb (0.3 kg) - approximated

**Mounting Specifications:****Related Products (each sold separately):**

- FB-021: Face Mask Dispenser - Tie Style (shown below)
- FB-064: Face Mask Dispenser - Earloop Style
- FB-090: Face Mask Dispenser - Shield Style

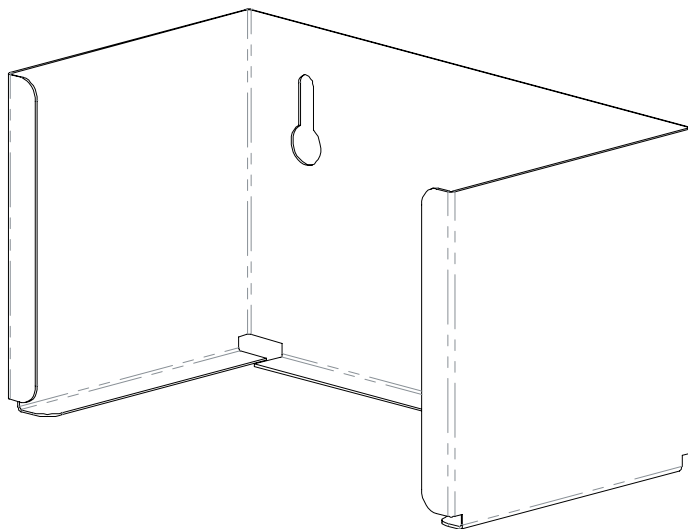




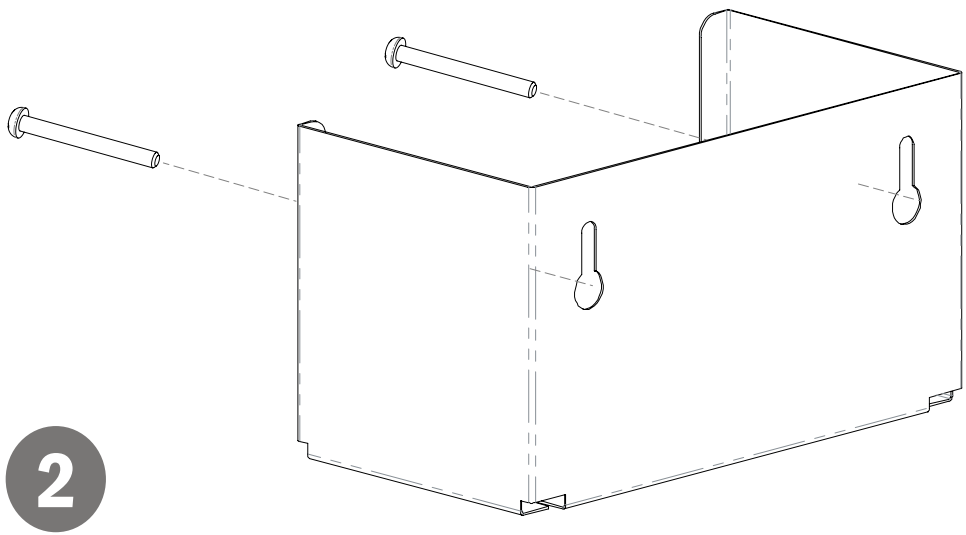
## Installation

Always mount dispensers securely *prior* to loading with product.

- Custom fit sizing with short flanges mean there is maximum exposure of the box.
- Boxes may dispense from the top or front as fit provides.



- Mount securely to a wall with screws approved and supplied by building maintenance.



### Parts included:

- Dispenser

### Tools Required:

- No tools required to assemble dispenser

## Care and Construction

### Powder-Coated Steel

#### Material Characteristics

### Designed for Long-Term, Heavy-Duty Applications

Dispensers and stands made of powder coated steel are both attractive and functional, providing years of service. Our powder coated steel dispensers and stands provide long-lasting products that hold up well in tough environments.

Powder coated steel is ideal for dispensers used in a healthcare or an industrial setting. It is impact resistant and is not effected by extremes in temperature.

#### Care and Cleaning

The powder coated finish resists common chemicals and cleaning agents and can be easily wiped clean with soap and water.