



MADE
IN THE **USA**

Product Description:

- Bulk Dispenser - Top Dispensing - Large
- Holds N95 valve respirator masks, eye shields, cone style face masks, or other items in bulk
- Pivot hinge lid
- Keyholes for wall mounting, or can sit on a counter
- Made of Clear PETG Plastic

Primary Area for Product Usage:

- Industrial areas such as manufacturing or construction
- Emergency rooms, operating rooms, labor and delivery, and burn units
- Surgical areas, interventional radiology, areas with a scrub sink

Dispenses:

- Fits most brands cone face masks in an area up to 8.50"W x 11.75"H x 5.50"D (21.6 cm x 29.8 cm x 14.0 cm)
- Holds up to 30 eye shields:
 - Cardinal Health #CAHEYWEAR
 - Halyard Health #SV50A
 - MediChoice #PEW050
 - Medline #NONASMBLD

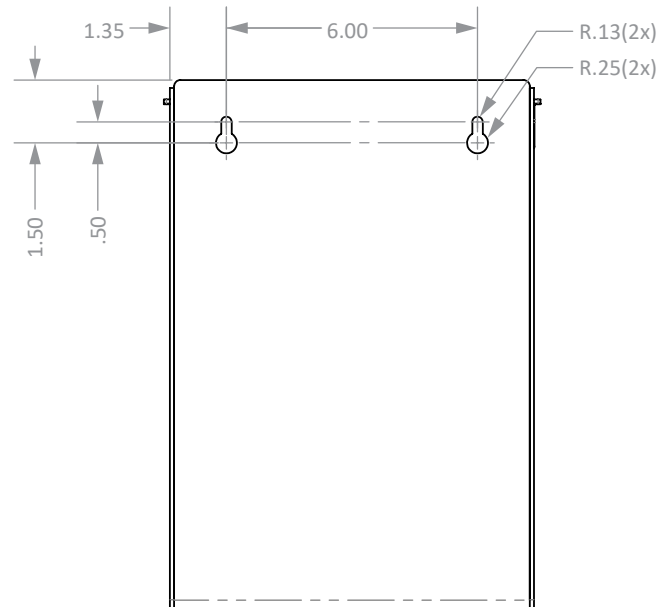
Package Specifications:

- Package Quantity: 2 per case
- 16"L x 12"W x 12"H (40.6 cm x 30.5 cm x 30.5 cm)
- 6.0 lbs (2.7 kg) - approximated

Product Specifications (overall external dimensions):

- 9.00"W x 12.50"H x 5.96"D (22.9 cm x 31.8 cm x 15.1 cm)
- 1.9 lbs (0.9 kg) - approximated

Mounting Specifications:



Alternative Uses:

- Shown below with eye shields

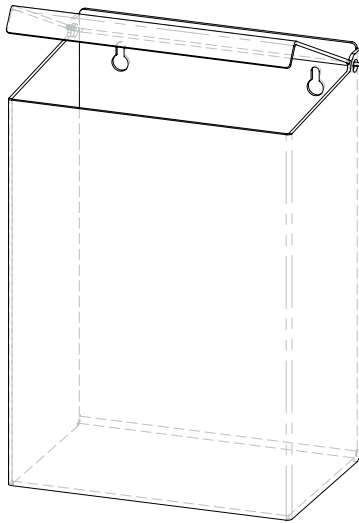




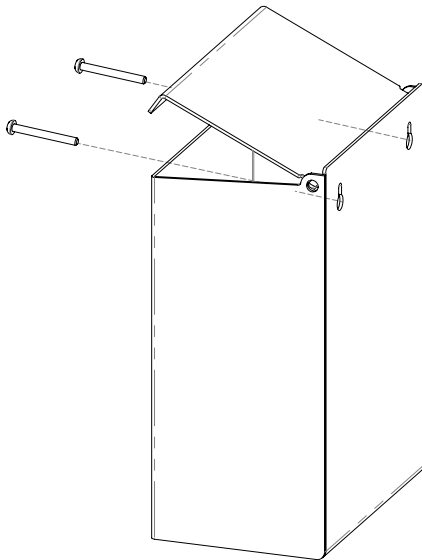
Installation

Always mount dispensers securely *prior* to loading with product.

- Clear design enables unobstructed view of contents and supply level.
- Pivot hinge style lid prevents opportunity for hinge failure.

**1**

- Mount securely to a wall with screws approved and supplied by building maintenance.

**2**

Parts included:

- Dispenser

Tools Required:

- No tools required to assemble dispenser

Care and Construction

PETG Plastic

Material Characteristics

Designed for Long-Term Heavy-Duty Applications

Copolyester resin is designed for heavy-duty applications, and is used by BOWMAN® Dispensers. We never use acrylic in our products.

Copolyester (PETG) is typically 15-20 times tougher than general purpose acrylic. PETG is made to withstand handling and reduce losses due to breakage.

PETG resists a variety of chemicals and commonly used cleaning agents. It is tough and durable (not brittle), providing years of trouble-free functionality and long life.

Clear optical characteristics mean the viewer can see the content, read text, and see true colors through the material. It complies with FDA regulations for food contact.

Care and Cleaning

Most cleaning chemicals do not weaken the surface or cause damage to the material. Suggested cleaning method is to use a soft cloth, warm water, and mild soap.