



MADE IN THE USA

Alternative Products (each sold separately):

- BG001-0212, Bag Dispenser - Single, Quartz Beige ABS Plastic
- BG001-0512, Bag Dispenser - Single, Quartz Beige Powder-Coated Aluminum
- BG002-0111, Bag Dispenser - Double, Clear PETG Plastic



BG001-0212



BG001-0512



BG002-0111

Product Description:

- Bag Dispenser - Single
- Holds a single roll of bags (up to 9.50" long and 3.50" in diameter)
- Two-way keyholes for vertical or horizontal wall mounting
- Made of Clear PETG Plastic

Primary Area for Product Usage:

- Any location which requires bags for storage or refuse at the point of use: laboratory, food service, O.R., clinical areas, dental, veterinary

Dispenses:

- Single roll of individual-sized biohazard, linen, or refuse bags
- Roll no larger than 9.50"W x Ø3.50" (24.1 cm x 8.9 cm)

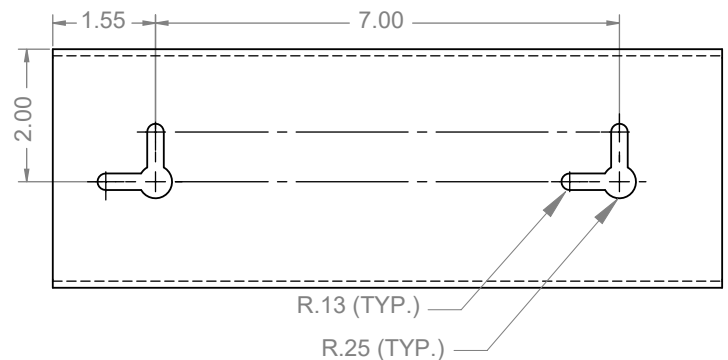
Package Specifications:

- Package Quantity: 12 per case
- 16"W x 12"H x 12"D (40.6 cm x 30.5 cm x 30.5 cm)
- 9.0 lbs (4.1 kg) - approximated

Product Specifications (overall external dimensions):

- 10.10"W x 3.60"H x 3.95"D (25.7 cm x 9.1 cm x 10.0 cm)
- 0.7 lbs (0.3 kg) - approximated

Mounting Specifications:

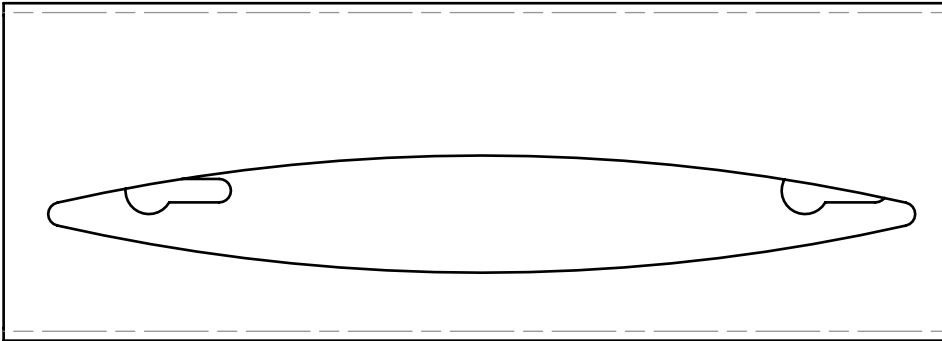




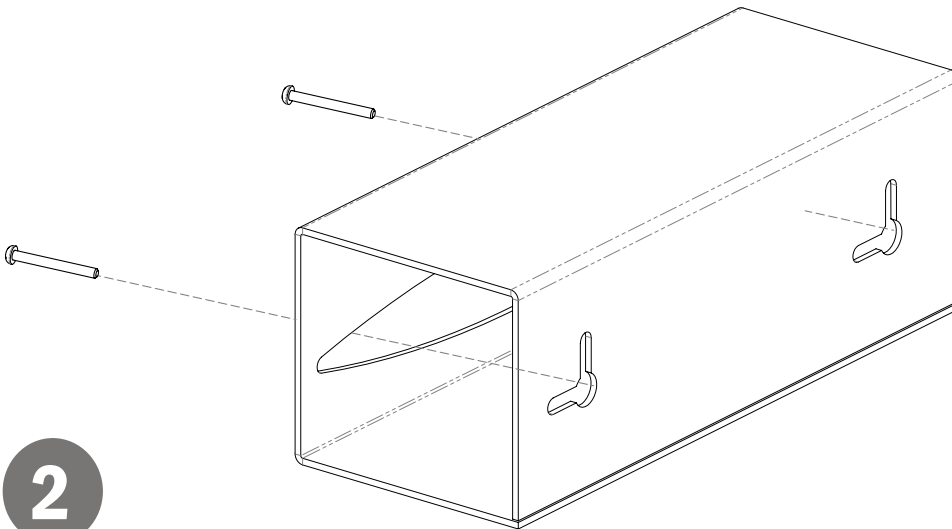
Installation

Always mount dispensers securely *prior* to loading with product.

- Clear design enables unobstructed view of contents and supply level.
- Curved cutout opening contains roll while dispensing and permits easy access.

**1**

- Mount securely to a wall with screws approved and supplied by building maintenance.

**2**

Parts included:

- Dispenser

Tools Required:

- No tools required to assemble dispenser

Care and Construction

PETG Plastic

Material Characteristics

Designed for Long-Term Heavy-Duty Applications

Copolyester resin is designed for heavy-duty applications, and is used by BOWMAN® Dispensers. We never use acrylic in our products.

Copolyester (PETG) is typically 15-20 times tougher than general purpose acrylic. PETG is made to withstand handling and reduce losses due to breakage.

PETG resists a variety of chemicals and commonly used cleaning agents. It is tough and durable (not brittle), providing years of trouble-free functionality and long life.

Clear optical characteristics mean the viewer can see the content, read text, and see true colors through the material. It complies with FDA regulations for food contact.

Care and Cleaning

Most cleaning chemicals do not weaken the surface or cause damage to the material. Suggested cleaning method is to use a soft cloth, warm water, and mild soap.