



Accessories (shown below, each sold separately):

- MP-070, Sign Holder - Vertical - Respiratory Hygiene Station
- MP-075, Sign Holder - Horizontal - Respiratory Hygiene Station
- KS010-0434, Floor Stand - All Steel (White)

Related Products (sold as kits):

- BD115-0023, Cover Your Cough Compliance Kit
 - RS005-0223, Respiratory Hygiene Station - Locking, Maple
 - KS010-0434, Floor Stand - All Steel (White)
 - MP-070, Sign Holder - Vertical
- BD116-0023, Cover Your Cough Compliance Kit
 - RS005-0223, Respiratory Hygiene Station - Locking, Maple
 - KS010-0434, Floor Stand - All Steel (White)
 - MP-075, Sign Holder - Horizontal



BD115-0023



BD116-0023

Product Description:

- Respiratory Hygiene Station - Locking
- Holds two boxes of face masks, one or two boxes of facial tissues or one box of gloves, and one hand sanitizer dispenser
- Hinged locking lid
- Keyholes and screw holes for wall mounting or can be mounted to a floor stand
- BOWMAN® Signature Series - Made of Maple Fauxwood ABS Plastic (also available in Cherry Fauxwood ABS Plastic, RS005-0233)

Primary Area for Product Usage:

- Emergency and admitting departments, all ports of entry, outpatient radiology/MRI, outpatient labs and pharmacies

Dispenses:

- Most major manufacturers' standard boxes
- Left: One hand sanitizing gel or foam dispenser - mountable area 8.50"W x 14.75"H x 5.00"D (21.6 cm x 37.5 cm x 12.7 cm) [Note: Refer to automatic dispensing specifications on detection distance requirements.]
- Middle: Two boxes of face masks no larger than 8.00"W x 4.88"H x 4.75"D (20.3 cm x 12.4 cm x 12.1 cm)
- Right: One large or two small boxes of tissues or one box of gloves no larger than 5.50"W x 9.75"H x 4.75"D (13.7 cm x 25.4 cm x 12.2 cm)

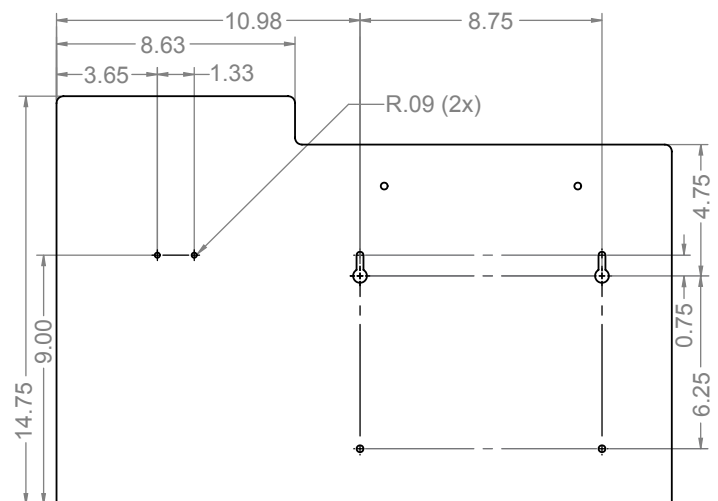
Package Specifications:

- Package Quantity: 1 per case
- 24"L x 16"W x 6"H (61.0 cm x 40.6 cm x 15.2 cm)
- 6.0 lbs (2.7 kg) - approximated

Product Specifications (overall external dimensions):

- 22.25"W x 14.75"H x 5.00"D (56.5 cm x 37.5 cm x 12.7 cm)
- 3.6 lbs (1.6 kg) - approximated

Mounting Specifications:

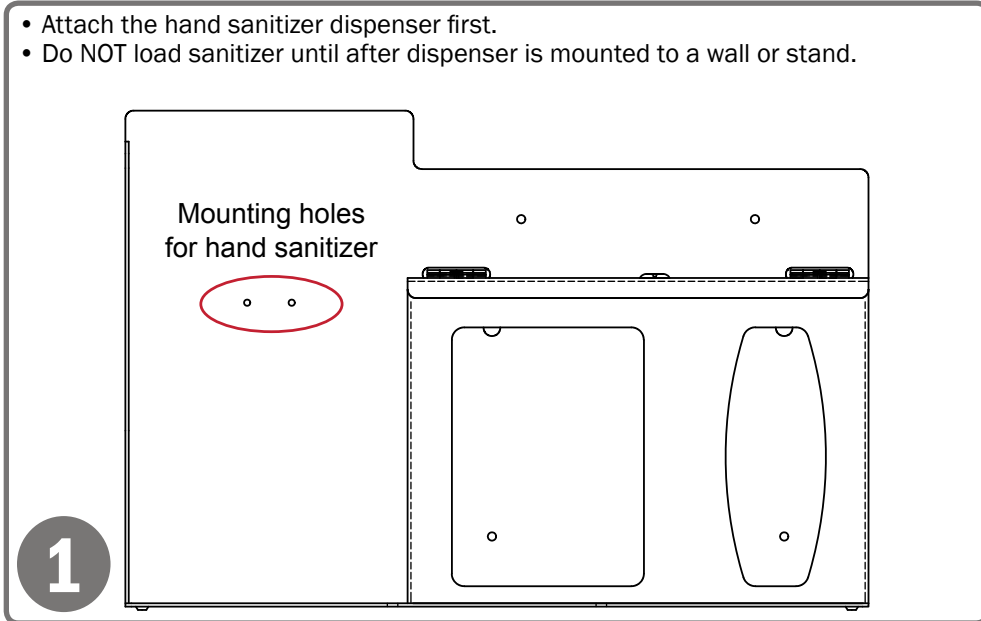




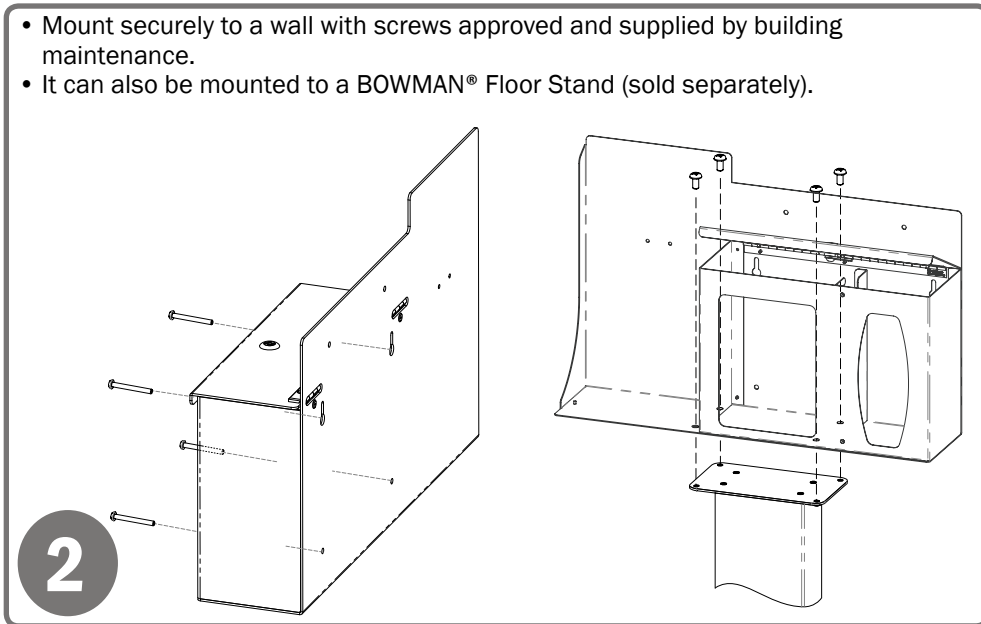
Installation

Always mount dispensers securely *prior* to loading with product.

- Attach the hand sanitizer dispenser first.
- Do NOT load sanitizer until after dispenser is mounted to a wall or stand.



- Mount securely to a wall with screws approved and supplied by building maintenance.
- It can also be mounted to a BOWMAN® Floor Stand (sold separately).



Parts included:

- Dispenser

Tools Required:

- No tools required to assemble dispenser

Care and Construction

Fauxwood ABS Plastic

Material Characteristics

Designed for Long-Term Heavy-Duty Applications

The combination of copolymers (Acrylonitrile, Butadiene, and Styrene) gives ABS an excellent combination of strength, rigidity, and toughness. The fauxwood finish is ARVINYL laminate created from a semi-rigid film.

ABS is chemical and stress-crack resistant. It is tough, dimensionally stable, and will hold up to long-term use. To ensure product longevity, fauxwood products should not be mounted in very hot or cold areas.

Our fauxwood material is engineered to have a natural grain appearance both in Cherry and Maple finishes. The two color choices provide a visually appealing, upscale option to any area.

Care and Cleaning

BOWMAN® *Signature Series* products can be cleaned with standard hospital cleaning products. Petroleum-based oils, solvents, and paints should not be used. Standard hospital cleaning supplies are approved for use on our fauxwood products.