



### Product Description:

- Respiratory Hygiene Station - Locking
- Holds two boxes of face masks, one or two boxes of facial tissues or one box of gloves, and one hand sanitizer dispenser
- Hinged locking lid
- Keyholes and screw holes for wall mounting or can be mounted to a floor stand
- Quartz Beige ABS Plastic

### Primary Area for Product Usage:

- All ports of entry
- Anywhere respiratory hygiene products are needed

### Dispenses:

- Left: Dispensing unit no larger than 8.50"W x 14.75"H x 5.00"D (21.6 cm x 37.5 cm x 12.7 cm)
- [Note: Refer to automatic dispensing specifications on detection distance requirements.]
- Middle: Box(es) no larger than 8.00"W x 4.88"H x 4.75"D (20.3 cm x 12.4 cm x 12.1 cm)
- Right: Box(es) no larger than 5.50"W x 9.75"H x 4.75"D (13.7 cm x 25.4 cm x 12.1 cm)

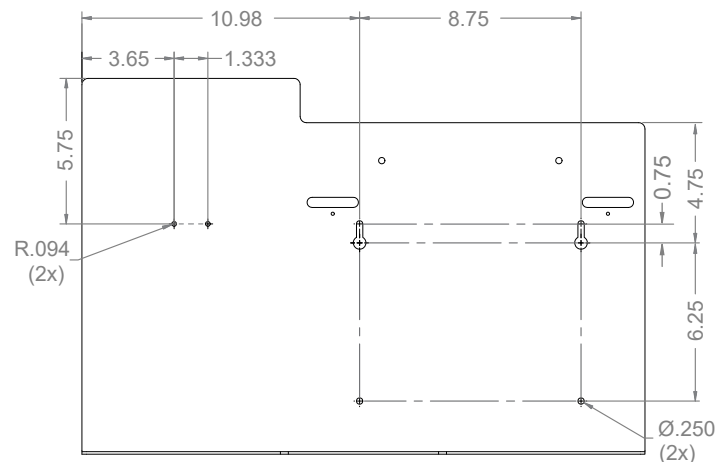
### Package Specifications:

- Package Quantity: 1 per case
- 24"L x 16"W x 6"H (61.0 cm x 40.6 cm x 15.2 cm)
- 5.0 lbs (2.3 kg) - approximated

### Product Specifications (overall external dimensions):

- 22.25"W x 14.85"H x 5.00"D (56.5 cm x 37.7 cm x 12.7 cm)
- 2.7 lbs (1.2 kg) - approximated

### Mounting Specifications:



### Accessories (shown below, each sold separately):

- MP-070, Sign Holder - Vertical - Respiratory Hygiene Station
- MP-075, Sign Holder - Horizontal - Respiratory Hygiene Station
- KS010-0412, Floor Stand - All Steel (Quartz Beige)

### Related Products (sold as kits):

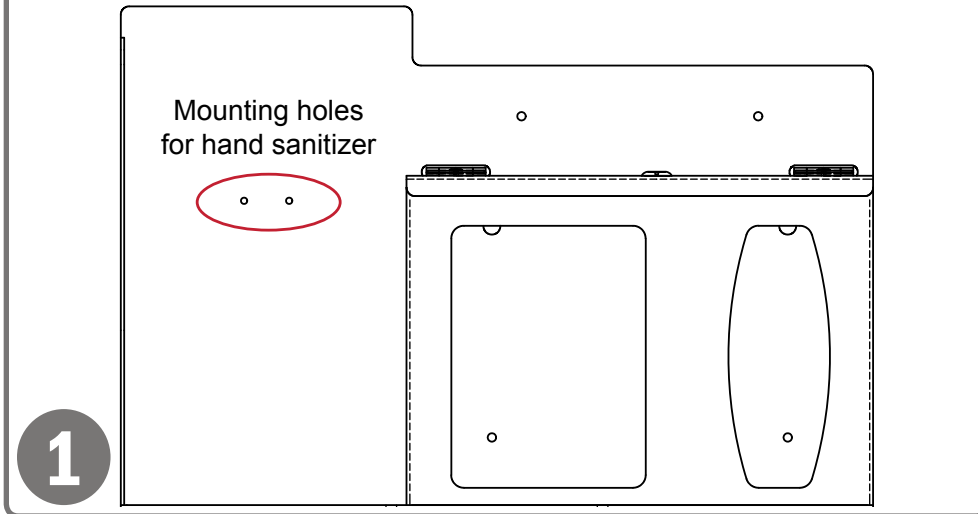
- BD115-0012, Cover Your Cough Compliance Kit
  - RS005-0212, Respiratory Hygiene Station - Locking
  - KS010-0412, Floor Stand - All Steel
  - MP-070, Sign Holder - Vertical
- BD116-0012, Cover Your Cough Compliance Kit
  - RS005-0212, Respiratory Hygiene Station - Locking
  - KS010-0412, Floor Stand - All Steel
  - MP-075, Sign Holder - Horizontal
- BD215-0012, Cover Your Cough Compliance Kit
  - RS005-0212, Respiratory Hygiene Station - Locking
  - MP-070, Sign Holder - Vertical
- BD216-0012, Cover Your Cough Compliance Kit
  - RS005-0212, Respiratory Hygiene Station - Locking
  - MP-075, Sign Holder - Horizontal



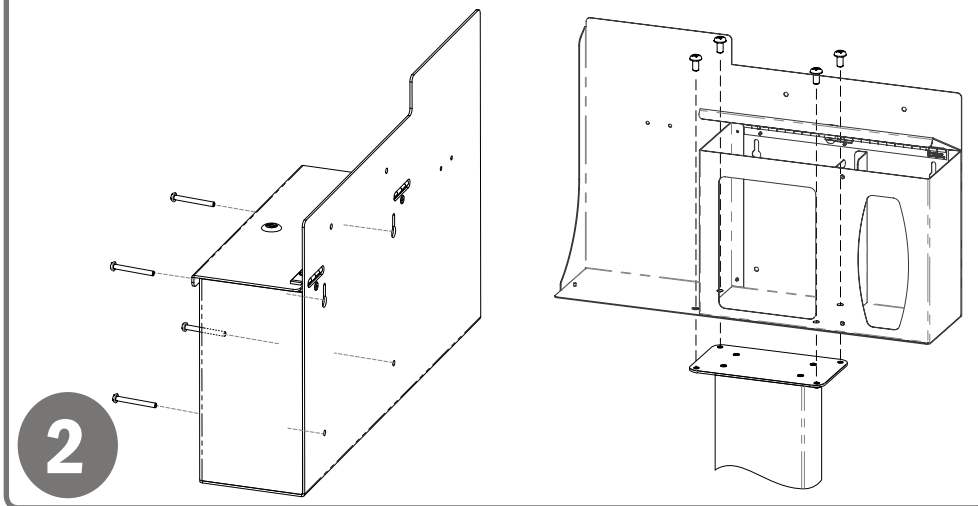
## Installation

Always mount dispensers securely *prior* to loading with product.

- Attach the hand sanitizer dispenser first.
- Do NOT load sanitizer until after dispenser is mounted to a wall or stand.



- Mount securely to a wall with screws approved and supplied by building maintenance.
- It can also be mounted to a BOWMAN® Floor Stand (sold separately).



### Parts included:

- Dispenser

### Tools Required:

- No tools required to assemble dispenser

## Care and Construction

### ABS Plastic

### Material Characteristics

### Designed for Long-Term Heavy-Duty Applications

The combination of copolymers (Acrylonitrile, Butadiene, and Styrene) gives ABS an excellent combination of strength, rigidity, and toughness.

ABS is chemical and stress-crack resistant. It is tough, dimensionally stable, and will hold up to long-term use. It possesses high strength and performance characteristics at a reasonable cost.

### Care and Cleaning

Use mild soap and water to clean. Petroleum-based oils, solvents, and paints should not be used.

Standard hospital cleaning supplies can be used.