



MADE IN THE USA

### Related Products (each sold separately):

- KS010-0412, Floor Stand - All Steel
- KS201-0029, Floor Stand
- MP-070, Sign Holder - Vertical (shown below)
- MP-075, Sign Holder - Horizontal (shown below)



MP-070



MP-075

### Product Description:

- Respiratory Hygiene Station
- Holds two boxes of face masks, one or two boxes of facial tissues or one box of gloves, and one hand sanitizer dispenser
- Keyholes and screw holes for wall mounting or can be mounted to a floor stand
- Quartz Beige Powder-Coated Steel

### Primary Area for Product Usage:

- All ports of entry
- Anywhere respiratory hygiene products are needed

### Dispenses:

- Left: One hand sanitizing gel or foam dispenser no larger than 8.35"W x 14.75"H x 5.00"D (21.2 cm x 37.5 cm x 12.7 cm)
- [Note: Refer to automatic dispensing specifications on detection distance requirements.]
- Middle: Box(es) no larger than 8.00"W x 9.50"H x 4.75"D (20.3 cm x 24.1 cm x 12.1 cm)
- Right: Box(es) no larger than 5.50"W x 9.50"H x 4.75"D (13.7 cm x 24.1 cm x 12.1 cm)

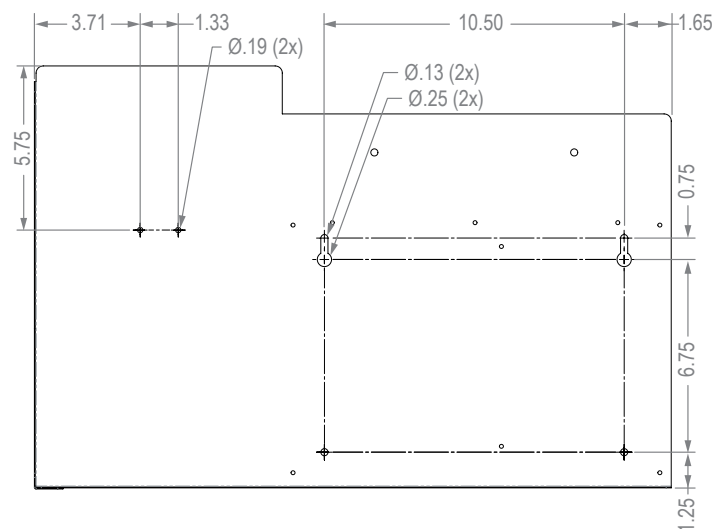
### Package Specifications:

- Package Quantity: 1 per case
- 24"L x 16"W x 6"H (61.0 cm x 40.6 cm x 15.2 cm)
- 8.0 lbs (3.6 kg) - approximated

### Product Specifications (overall external dimensions):

- 22.31"W x 14.78"H x 5.06"D (56.7 cm x 37.5 cm x 12.9 cm)
- 5.8 lbs (2.6 kg) - approximated

### Mounting Specifications:





## Installation

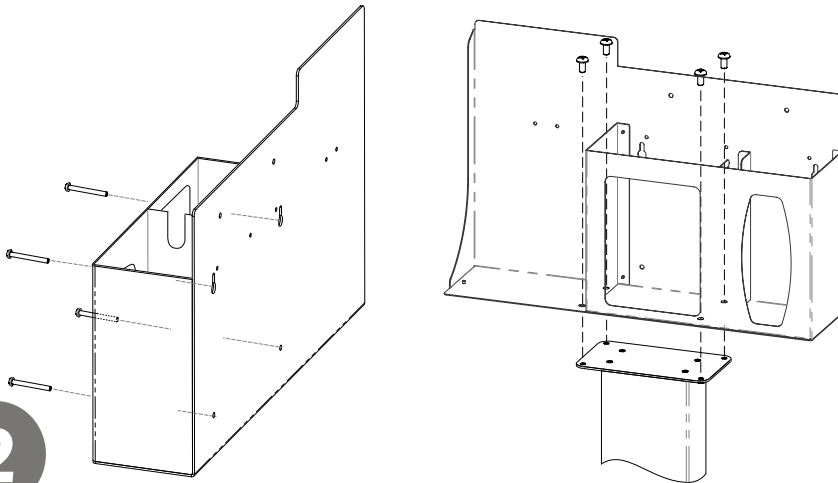
Always mount dispensers securely *prior* to loading with product.

- Attach the empty hand sanitizer dispenser first.
- Do NOT load sanitizer until after dispenser is mounted to a wall or stand.

Mounting holes  
for hand sanitizer

**1**

- Mount securely to a wall with screws approved and supplied by building maintenance.
- It can also be mounted to a BOWMAN® Floor Stand (sold separately).

**2****Parts included:**

- Dispenser

**Tools Required:**

- No tools required to assemble dispenser

## Care and Construction

Powder-Coated Steel

### Material Characteristics

#### Designed for Long-Term Use

Our steel dispensers and stands are coated with polyester powders which makes them highly resistant to corrosion.

Powder-coated steel is ideal for dispensers used in a healthcare or an industrial setting because it is impact resistant and is not effected by extremes in temperature.

Dispensers and stands made of powder-coated steel are both attractive and functional, providing years of service.

### Care and Cleaning

The powder coated finish resists common chemicals and cleaning agents and can be easily wiped clean with soap and water.