

**Product Description:**

- Respiratory Hygiene Station - Locking
- Holds two boxes of face masks and one - two boxes of facial tissues or one box of gloves
- Hinged locking lid
- Keyholes for wall mounting
- Quartz Beige ABS Plastic

**Primary Area for Product Usage:**

- Anywhere respiratory hygiene products are needed

**Dispenses:**

- Left: Box(es) no larger than 7.75"W x 4.00"H x 4.75"D (19.7 cm x 10.2 cm x 12.1 cm)
- Right: Box(es) no larger than 5.50"W x 10.00"H x 4.75"D (14.0 cm x 25.4 cm x 12.1 cm)

**Package Specifications:**

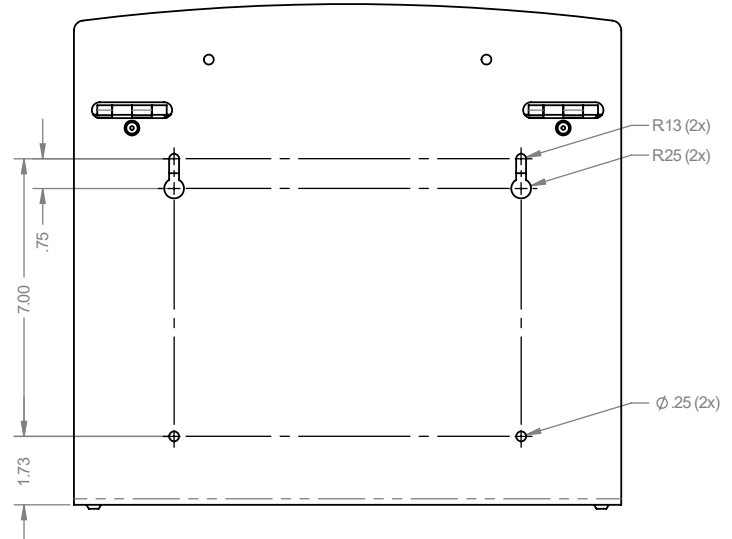
- Package Quantity: 1 per case
- 24"L x 16"W x 6"H (61.0 cm x 40.6 cm x 15.2 cm)
- 6.0 lbs (2.7 kg) - approximated

**Product Specifications (overall external dimensions):**

- 13.80"W x 12.65"H x 5.30"D (35.1 cm x 32.1 cm x 13.5 cm)
- 2.0 lbs (0.9 kg) - approximated

**Mounting Specifications:****Related Products (each sold separately):**

- RS002-0512: Respiratory Hygiene Station - Locking, Aluminum (shown below)

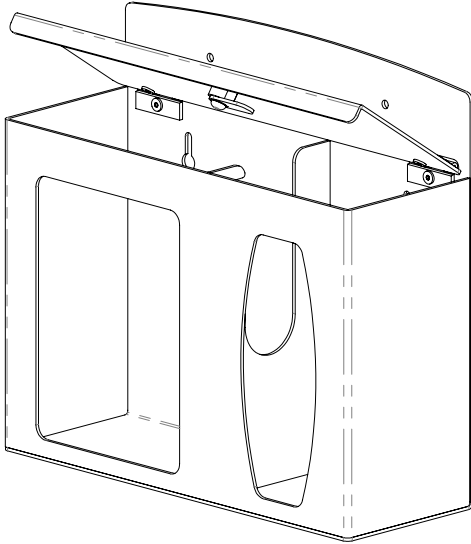




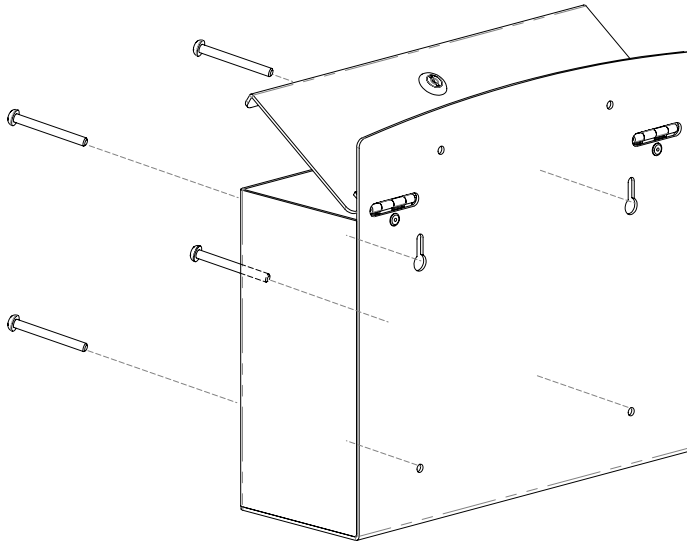
## Installation

Always mount dispensers securely *prior* to loading with product.

- Locking lid over all contents.

**1**

- Mount securely to a wall with screws approved and supplied by building maintenance.

**2****Parts included:**

- Dispenser

**Tools Required:**

- No tools required to assemble dispenser

## Care and Construction

ABS Plastic

### Material Characteristics

#### Designed for Long-Term, Heavy-Duty Applications

The combination of copolymers (Acrylonitrile, Butadiene, and Styrene) gives ABS an excellent combination of strength, rigidity, and toughness. The fauxwood finish is ARVINYL laminate created from a semi-rigid film.

ABS is chemical and stress-crack resistant. It is tough, dimensionally stable, and will hold up to long-term use. To ensure product longevity, fauxwood products should not be mounted in very hot or cold areas.

### Care and Cleaning

Use mild soap and water to clean. Petroleum-based oils, solvents, and paints should not be used.

Standard hospital cleaning supplies are approved for use on our ABS plastic products.