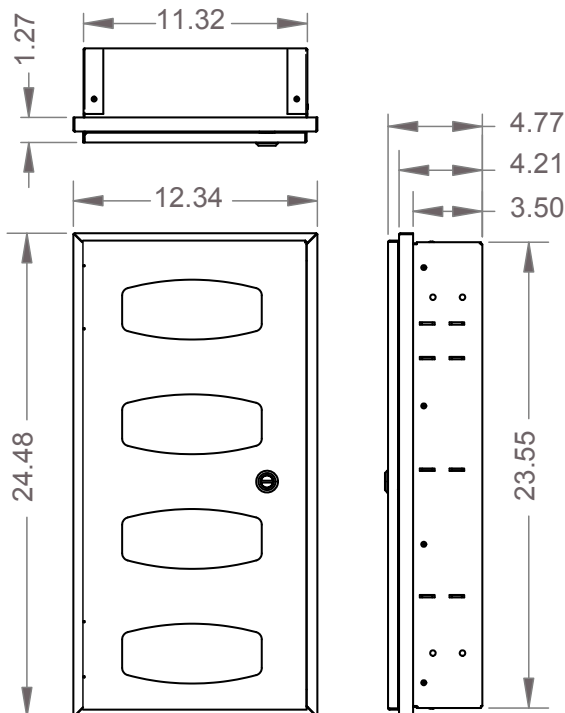




**MADE IN THE USA**  
PATENT PENDING

### Mounting Specifications:

- Installation should be performed only by a licensed contractor.



### Product Description:

- Semi-Recessed Glove Box Dispenser - Quad
- Holds four boxes of gloves
- Low profile
- Keyless locking mechanism
- Screw holes in sides to mount to stud framing in wall
- Made of Quartz Beige Powder-Coated Steel

### Primary Area for Product Usage:

- All primary care areas: clinic/exam rooms, radiology, labs, physical therapy, O.R. areas, environmental services
- Any area where glove boxes need to be kept, but cannot protrude from the wall

### Dispenses:

- Most manufacturers' standard glove boxes no larger than 11.13"L x 5.50"W x 4.00"H (28.3 cm x 14.0 cm x 10.2 cm)

### Package Specifications:

- 18"L x 6"W x 29"H (45.7 cm x 15.2 cm x 73.7 cm)
- 14.0 lbs (6.4 kg) - approximated

### Product Specifications (overall external dimensions):

- 12.34"W x 24.48"H x 4.77"D (31.3 cm x 62.2 cm x 12.1 cm)
- 11.8 lbs (5.3 kg) - approximated

### Alternative Products (each sold separately):

- RE401-0012, Semi-Recessed Face Mask & Tissue Dispenser
- RE301-0012, Semi-Recessed Glove Box Dispenser - Triple



RE401-0012



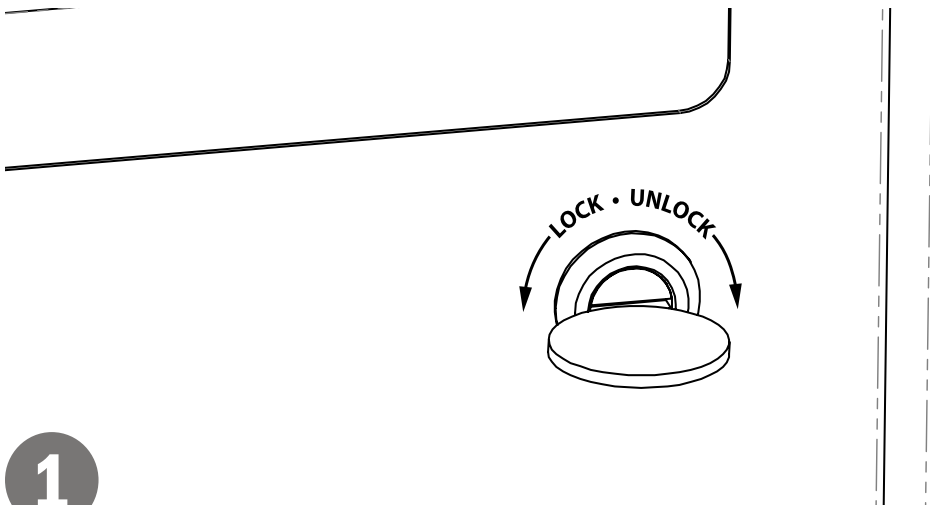
RE301-0012



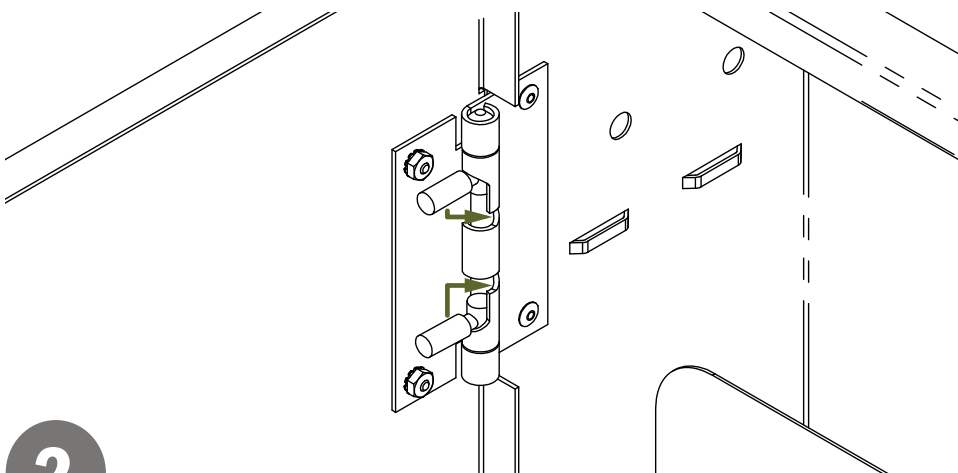
## Installation

Always mount dispensers securely *prior* to loading with product.

- Door can be locked or unlocked using a small flat object, such as a coin, or similar rounded edge.



- Door can be removed by squeezing and turning posts on hinges as shown.



### Parts included:

- Dispenser

### Tools Required:

- No tools required to assemble dispenser

## Characteristics & Care

Powder-Coated Steel

### Material Characteristics

#### Designed for Long-Term Use

Our steel dispensers and stands are coated with polyester powders which makes them highly resistant to corrosion.

Powder-coated steel is ideal for dispensers used in a healthcare or an industrial setting because it is impact resistant and is not effected by extremes in temperature.

Dispensers and stands made of powder-coated steel are both attractive and functional, providing years of service.

### Care and Cleaning

For best results, clean by washing the surface with a diluted solution of a mild, non-abrasive detergent in cold or warm water and a non-abrasive cloth. Standard hospital cleaning supplies can be used.

Dry with a soft cloth. Do not use any solvent-based materials, abrasives (e.g. Scotch-brite, steel wool), or apply excessive force during cleaning.