



MADE IN THE USA

### Product Description:

- Protection System - Gloveless - 4"
- Holds disposable or reusable gowns, aprons, or coveralls/jumpsuits, and earloop masks
- ADA and CMS Wall Protrusion Compliant
- Keyholes for wall mounting, or cutout for use with BOWMAN® hanger
- Quartz Beige ABS Plastic

### Primary Area for Product Usage:

- Anywhere protection equipment is needed

### Dispenses:

- Top: Gowns, aprons, or coveralls/jumpsuits no larger than 14.75"W x 14.70"H x 3.90"D (37.5 cm x 37.3 cm x 9.9 cm)
- Bottom: Item(s) no larger than 7.50"W x 5.00"H x 3.90"D (19.1 cm x 12.7 cm x 9.9 cm)

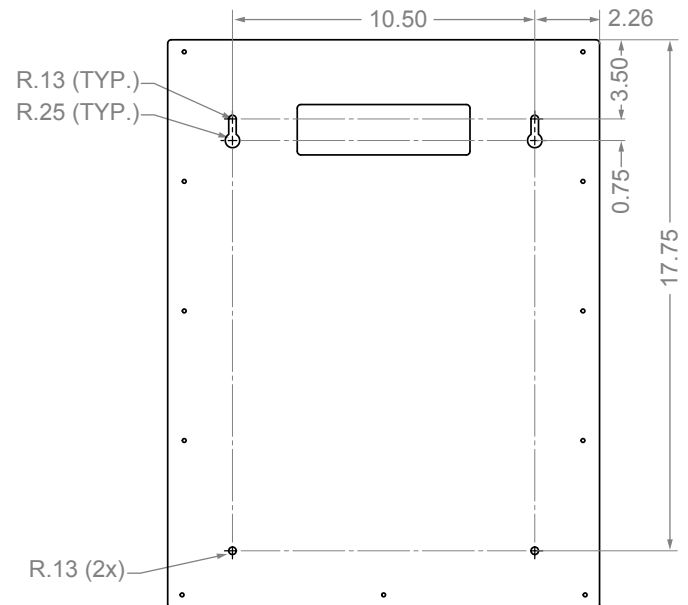
### Package Specifications:

- Package Quantity: 1 per case
- 24"L x 16"W x 6"H (61.0 cm x 40.6 cm x 15.2 cm)
- 6.0 lbs (2.7 kg) - approximated

### Product Specifications (overall external dimensions):

- 15.00"W x 19.75"H x 4.00"D (38.1 cm x 50.2 cm x 10.2 cm)
- 3.0 lbs (1.4 kg) - approximated

### Mounting Specifications:



### Accessories (each sold separately):

- MP-047, Sign Holder - Clip-On (shown below left)
- BOWMAN® Door and Wall Hangers: MB-450, MB-500, MB-510, and MB-600 (shown below right)

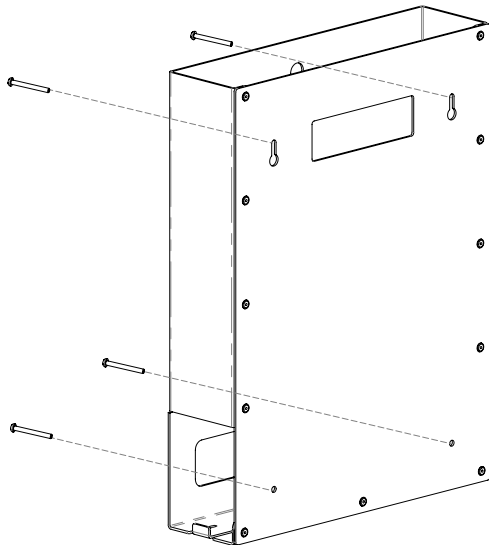




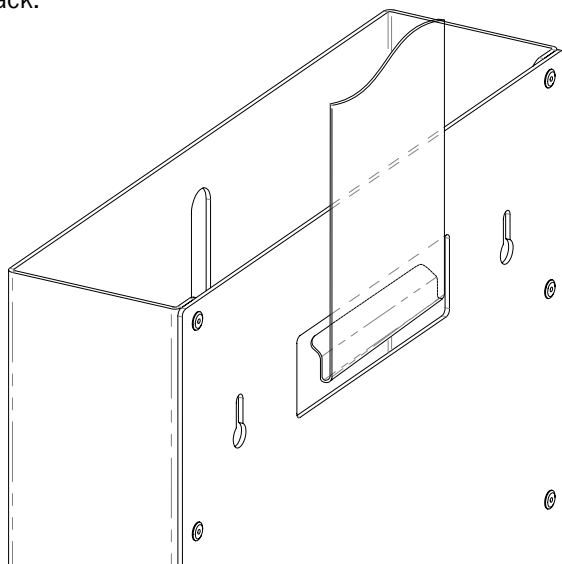
## Installation

Always mount dispensers securely *prior* to loading with product.

- Mount securely to a wall with screws approved and supplied by building maintenance.



- Dispenser can be mounted onto a BOWMAN® door or wall hanger through the cutout in the back.



### Parts included:

- Dispenser

### Tools Required:

- No tools required to assemble dispenser

## Care and Construction

ABS Plastic

### Material Characteristics

#### Designed for Long-Term, Heavy-Duty Applications

The combination of copolymers (Acrylonitrile, Butadiene, and Styrene) gives ABS an excellent combination of strength, rigidity, and toughness.

ABS is chemical, stress-crack resistant, dimensionally stable, and will hold up to long-term use. It possesses high strength and performance characteristics at a reasonable cost.

### Care and Cleaning

Use mild soap and water to clean. Petroleum-based oils, solvents, and paints should not be used.

Standard hospital cleaning supplies are approved for use on our ABS plastic products.