



Product Description:

- Protection System - Double Gown - 4"
- Holds disposable or reuseable gowns, aprons, or coveralls/ jumpsuits, three boxes of gloves, earloop and/or shield masks, and miscellaneous items
- ADA and CMS Wall Protrusion Compliant
- Mask and gown boxes may be deeper than 4"; if so, remove from box to place in unit
- Keyholes for wall mounting, or cutout for use with BOWMAN® hanger
- Quartz Beige Powder-Coated Aluminum

Primary Area for Product Usage:

- Anywhere personal protection equipment is needed

Dispenses:

- Left: Gowns, aprons, or coveralls/jumpsuits no larger than 15.00"W x 15.33"H x 3.90"D (38.1 cm x 38.9 cm x 9.9 cm)
- Top right: Box(es) no larger than 4.95"W x 8.29"H x 3.90"D (12.6 cm x 21.1 cm x 9.9 cm)
- Middle right: Box(es) no larger than 9.93"W x 5.38"H x 3.90"D (25.2 cm x 13.7 cm x 9.9 cm)
- Bottom right: Item(s) no larger than 9.93"W x 6.09"H x 3.90"D (25.2 cm x 15.5 cm x 9.9 cm)

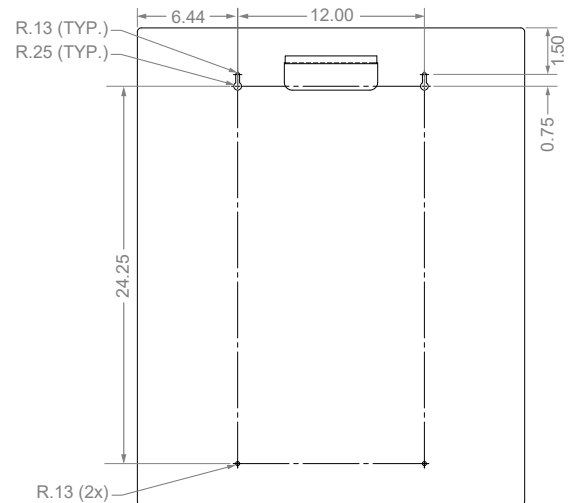
Package Specifications:

- Package Quantity: 1 per case
- 26"L x 6"W x 32"H (66.0 cm x 15.2 cm x 81.3 cm)
- 13.0 lbs (5.9 kg) - approximated

Product Specifications (overall external dimensions):

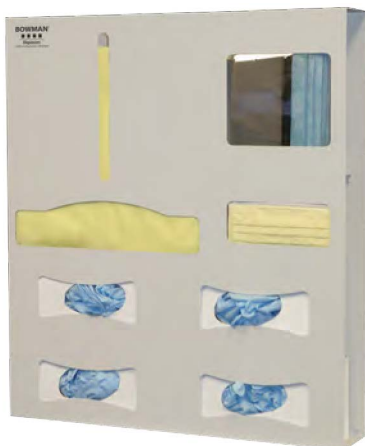
- 25.05"W x 30.70"H x 4.00"D (63.6 cm x 78.0 cm x 10.2 cm)
- 9.8 lbs (4.4 kg) - approximated

Mounting Specifications:



Related Products (each sold separately):

- MP-047: Sign Holder - Clip-On
- BOWMAN® Door and Wall Hangers: MB-450, MB-500, MB-510, and MB-600
- PS412-0512: Protection System - Quad Glove - 4" Deep (shown below)

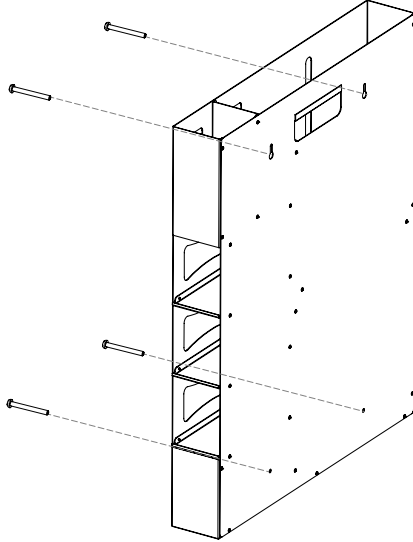




Installation

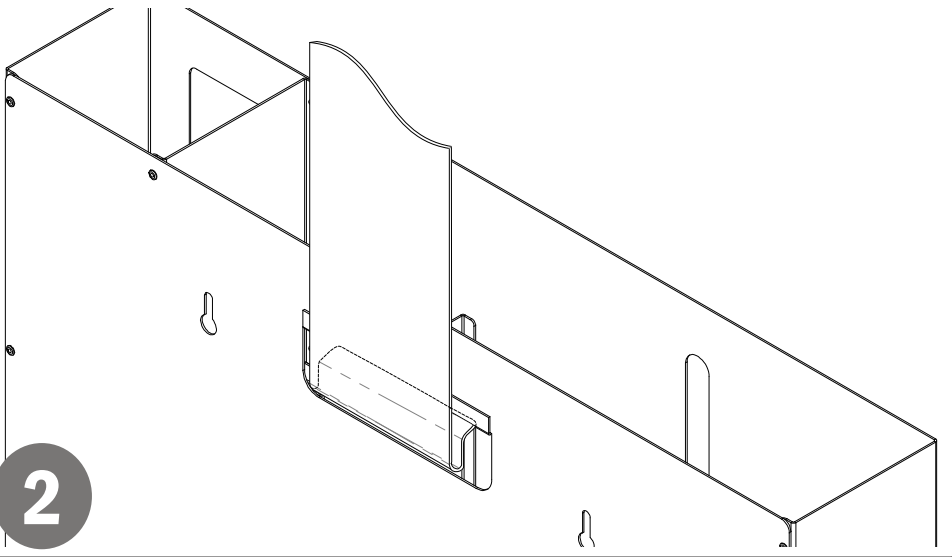
Always mount dispensers securely *prior* to loading with product.

- Mount securely to a wall with screws approved and supplied by building maintenance.



1

- Dispenser can be mounted onto a BOWMAN® door or wall hanger through the cutout in the back.



2

Parts included:

- Dispenser

Tools Required:

- No tools required to assemble dispenser

Care and Construction

Powder-Coated Aluminum

Material Characteristics

Designed for Long-Term Use

Our powder-coated aluminum dispensers resist corrosion, chipping, and flaking. It is lightweight, yet high in strength. This material will provide long-lasting products that hold up well, even in tough environments.

Powder-coated aluminum is ideal for dispensers used in a healthcare or industrial settings. It is impact resistant and is not affected by extremes in temperature.

Powder-coated aluminum is clean, bright, and attractive; it creates a professional appearance.

Care and Cleaning

For best results, clean by washing the surface with a diluted solution of a mild, non-abrasive detergent in cold or warm water and a non-abrasive cloth. Standard hospital cleaning supplies can be used. Dry with a soft cloth. Do not use any solvent-based materials, abrasives (e.g. Scotch-brite, steel wool), or apply excessive force during cleaning.