



Product Description:

- Protection System - Quad Glove - 4" Deep
- Holds a variety of gowns, four boxes of gloves, earloop face masks, and face shields
- 4" depth meets guidelines set by ADA and CMS
- Face mask and gown boxes may be deeper than 4"; if so, remove from box to place in unit
- Keyholes for wall mounting, or door hanger cut out for use with wall or door hanger
- Made of Quartz Beige Powder-Coated Aluminum
- Patent Pending

Primary Area for Product Usage:

- All patient care areas requiring personal protective equipment and isolation supplies: in addition; oncology clinics, dialysis centers and clinic exam areas

Dispenses:

- Top left: Flat pack gowns or two stacks of thumb loop gowns up to 14.45"W x 14.65"H x 3.90"D (36.7 cm x 37.2 cm x 9.9 cm)
- Top right: Shield face masks up to 8.20"W x 9.62"H x 3.90"D (20.2 cm x 24.4 cm x 9.9 cm)
- Middle right: Earloop face masks up to 8.20"W x 5.00"H x 3.90"D (20.8 cm x 12.7 cm x 9.9 cm)
- Bottom: Four boxes of gloves up to 11.30"W x 5.40"H x 3.90"D (28.7 cm x 13.7 cm x 9.9 cm)

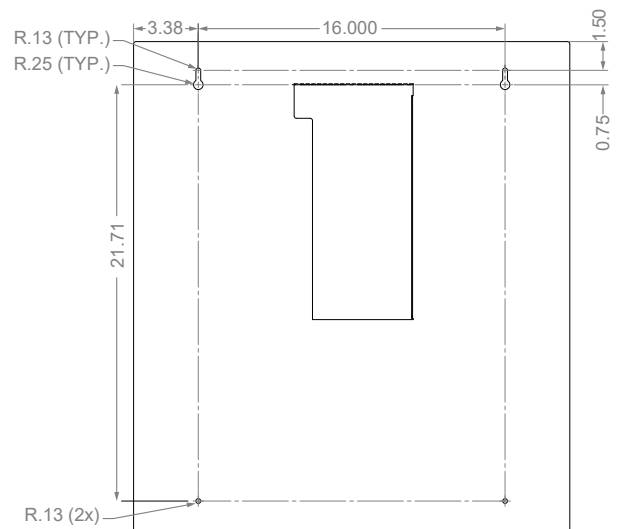
Package Specifications:

- Package Quantity: 1 per case
- 26"L x 6"W x 32"H (66.0 cm x 15.2 cm x 81.3 cm)
- 10.0 lbs (4.5 kg) - approximated

Product Specifications (overall external dimensions):

- 22.75"W x 25.63"H x 4.00"D (57.8 cm x 65.1 cm x 10.2 cm)
- 7.2 lbs (3.3 kg) - approximated

Mounting Specifications:



Related Products (each sold separately):

- MP-047, Sign Holder - Clip-On
- BOWMAN® Door and Wall Hangers: MB-450, MB-500, MB-510, and MB-600
- PS415-0512, Protection System - Double Gown - 4" Deep (shown below)

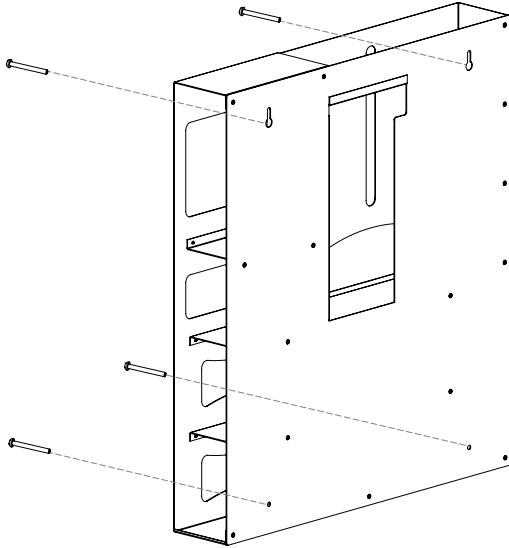




Installation

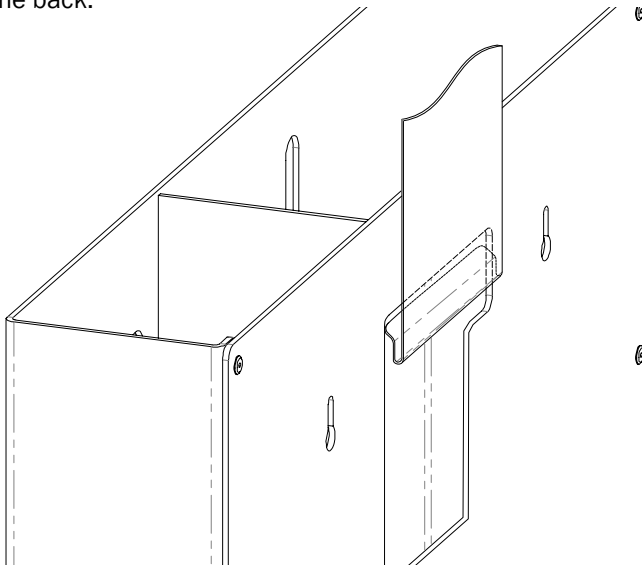
Always mount dispensers securely *prior* to loading with product.

- Mount securely to a wall with screws approved and supplied by building maintenance.



1

- Dispenser can be mounted onto a BOWMAN® door or wall hanger through the cutout in the back.



2

Parts included:

- Dispenser

Tools Required:

- No tools required to assemble dispenser

Care and Construction

Powder-Coated Aluminum

Material Characteristics

Designed for Long-Term Use

Our powder-coated aluminum dispensers resist corrosion, chipping, and flaking. It is lightweight, yet high in strength. This material will provide long-lasting products that hold up well, even in tough environments.

Powder-coated aluminum is ideal for dispensers used in a healthcare or industrial settings. It is impact resistant and is not affected by extremes in temperature.

Powder-coated aluminum is clean, bright, and attractive; it creates a professional appearance.

Care and Cleaning

For best results, clean by washing the surface with a diluted solution of a mild, non-abrasive detergent in cold or warm water and a non-abrasive cloth. Standard hospital cleaning supplies can be used. Dry with a soft cloth. Do not use any solvent-based materials, abrasives (e.g. Scotch-brite, steel wool), or apply excessive force during cleaning.