



MADE IN THE USA

Product Description:

- Protection System - Extra Capacity
- Holds protective equipment or miscellaneous items in three bulk compartments and disposable or reusable gowns, aprons, or coveralls/jumpsuits and boxes or bulk face masks in two storage areas
- Designed for extra capacity to accommodate USP <800>
- Pivot hinge lid with flange to reduce dust
- Keyholes for wall mounting
- Quartz Beige ABS Plastic

Primary Area for Product Usage:

- Anywhere personal protection equipment is needed

Dispenses:

- Top: Item(s) no larger than 10.55"W x 14.75"H x 7.75"D (26.8 cm x 37.5 cm x 19.7 cm)
- Bottom left: Item(s) no larger than 22.00"W x 15.00"H x 7.75"D (55.9 cm x 38.1 cm x 19.7 cm)
- Bottom right: Item(s) no larger than 9.67"W x 15.00"H x 7.75"D (24.6 cm x 38.1 cm x 19.7 cm)

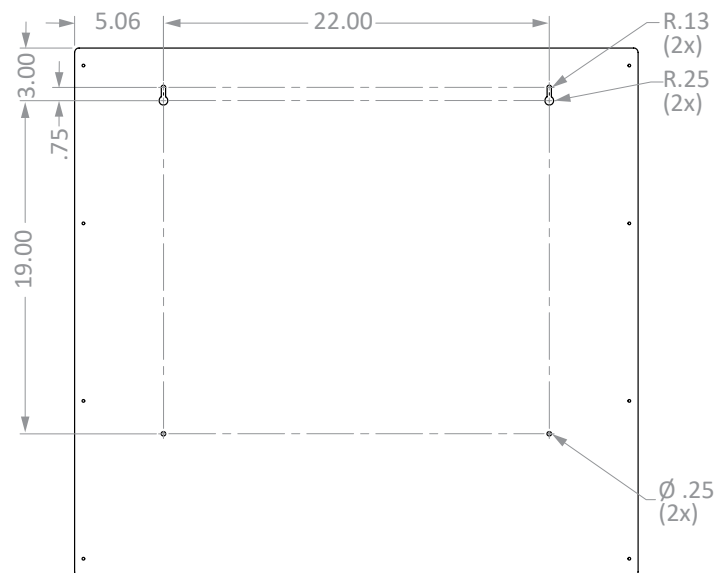
Package Specifications:

- Package Quantity: 1 per case
- 35"W x 10"H x 33"D (88.9 cm x 25.4 cm x 83.8 cm)
- 14.0 lbs (6.4 kg) - approximated

Product Specifications (overall external dimensions):

- 32.43"W x 30.13"H x 7.96"D (82.4 cm x 76.5 cm x 20.2 cm)
- 11.9 lbs (5.4 kg) - approximated

Mounting Specifications:



Related Products (each sold separately):

- BK006-0111: Bulk Dispenser - Triple (shown below)
- GN005-0212: Gown Dispenser - Extra Capacity

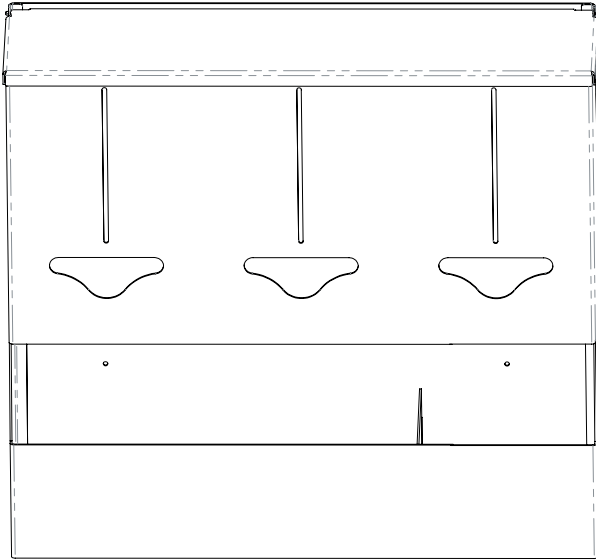




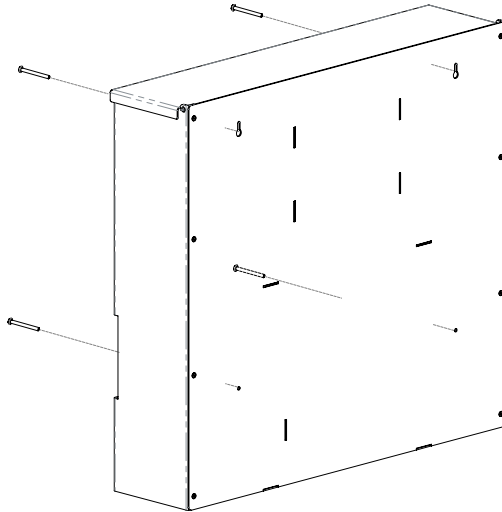
Installation

Always mount dispensers securely *prior* to loading with product.

- Very large capacity to accommodate USP <800> requirements.



- Mount securely to a wall with screws approved and supplied by building maintenance.
- Use all mounting holes provided.



Parts included:

- Dispenser

Tools Required:

- No tools required to assemble dispenser

Care and Construction

ABS Plastic

Material Characteristics

Designed for Long-Term, Heavy-Duty Applications

The combination of copolymers (Acrylonitrile, Butadiene, and Styrene) gives ABS an excellent combination of strength, rigidity, and toughness.

ABS is chemical and stress-crack resistant. It is tough, dimensionally stable, and will hold up to long-term use. It possesses high strength and performance characteristics at a reasonable cost.

Care and Cleaning

Use mild soap and water to clean. Petroleum-based oils, solvents, and paints should not be used.

Standard hospital cleaning supplies are approved for use on our ABS plastic products.