



MADE IN THE USA

Related Products (each sold separately):

- PS017-0212, Protection System - Surgical
- PD100-0212, Protection Dispenser - Universal Boxed - Shoe Cover/ Cap/Other
- PD200-0212, Protection Dispenser - Universal Boxed - Shoe Cover/ Cap/Other - Large
- PD300-0212, Protection Dispenser - Universal Boxed - Shoe Cover/ Cap/Other
- BOWMAN® Door and Wall Hangers: MB-450, MB-500, MB-510, and MB-600



PD100-0212



PD200-0212



PD300-0212

Product Description:

- Protection System - Surgical
- Holds protective apparel in two bulk compartments, three boxes of gloves, and one box of face masks
- Pivot hinge lid over bulk compartments
- Keyholes for wall mounting, or door hanger cutout for use with wall or door hanger
- Quartz Beige ABS Plastic

Primary Area for Product Usage:

- Anywhere personal protection equipment is needed

Dispenses:

- Top left: Bulk bins hold miscellaneous item(s) no larger than 6.00"W x 10.50"H x 4.70"D (15.2 cm x 26.7 cm x 11.9 cm)
- Bottom left: Box(es) no larger than 10.00"W x 4.83"H x 4.54"D (25.4 cm x 12.3 cm x 11.5 cm)
- Right: Box(es) no larger than 9.75"W x 5.40"H x 4.54"D (24.8 cm x 13.7 cm x 11.5 cm)

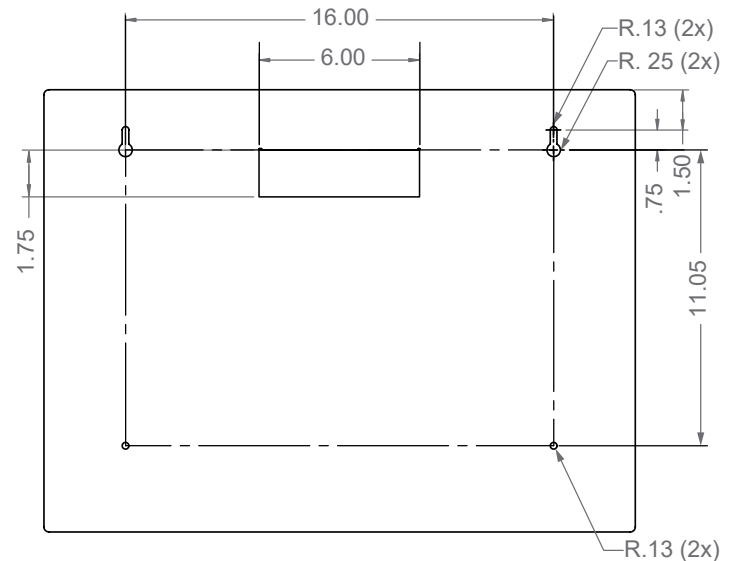
Package Specifications:

- Package Quantity: 1 per case
- 18"L x 6"W x 29"H (45.7 cm x 15.2 cm x 73.7 cm)
- 7.0 lbs (3.2 kg) - approximated

Product Specifications (overall external dimensions):

- 22.30"W x 16.63"H x 5.10"D (56.6 cm x 42.2 cm x 13.0 cm)
- 4.6 lbs (2.1 kg) - approximated

Mounting Specifications:

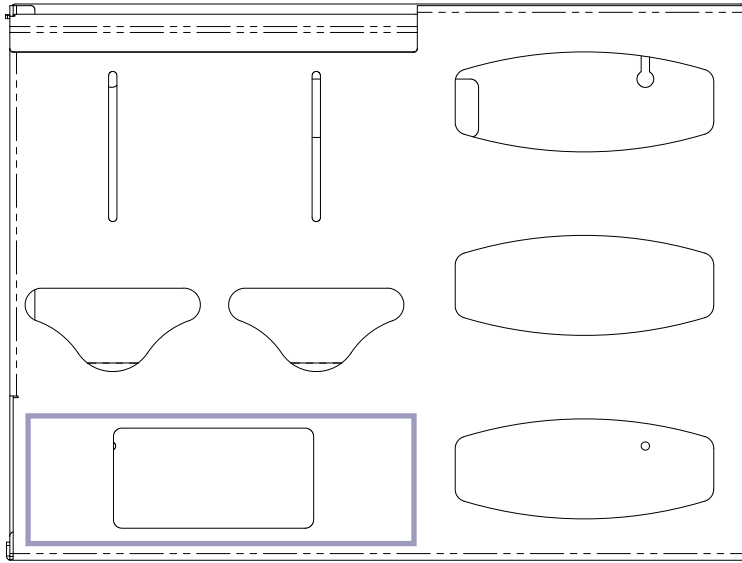




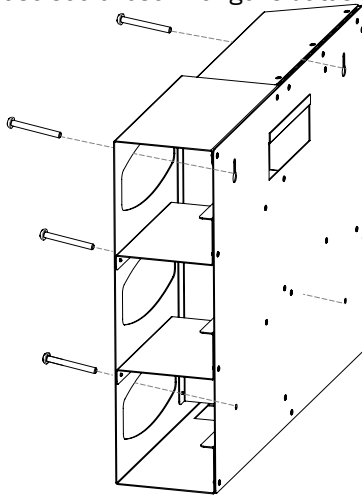
Installation

Always mount dispensers securely *prior* to loading with product.

- Face mask area can also accommodate N95 masks.

**1**

- Mount securely to a wall with screws approved and supplied by building maintenance.
- Dispenser can be mounted onto a BOWMAN® door or wall hanger through the cutout in the back. (Please see chosen hanger's datasheet for details.)

**2****Parts included:**

- Dispenser

Tools Required:

- No tools required to assemble dispenser

Care and Construction

ABS Plastic

Material Characteristics

Designed for Long-Term, Heavy-Duty Applications

The combination of copolymers (Acrylonitrile, Butadiene, and Styrene) gives ABS an excellent combination of strength, rigidity, and toughness. The fauxwood finish is ARVINYL laminate created from a semi-rigid film.

ABS is chemical and stress-crack resistant. It is tough, dimensionally stable, and will hold up to long-term use. To ensure product longevity, fauxwood products should not be mounted in very hot or cold areas.

Care and Cleaning

Use mild soap and water to clean. Petroleum-based oils, solvents, and paints should not be used.

Standard hospital cleaning supplies are approved for use on our ABS plastic products.