



MADE IN THE USA

### Product Description:

- Protection System - Slimline
- Holds disposable or reusable gowns, aprons, or coveralls/jumpsuits, one disposable wipe canister, one box of earloop masks, and three boxes of gloves
- Accommodates extension of use with accessories that attach at bottom
- Keyholes for wall mounting or may be used with a BOWMAN® hanger
- Quartz Beige ABS Plastic

### Primary Area for Product Usage:

- Anywhere personal protection equipment is needed

### Dispenses:

- Top left: Gowns, aprons, or coveralls/jumpsuits no larger than 11.75"W x 4.63"D (29.8 cm x 11.8 cm)
- Top right: Canister(s) no larger than 4.63" diameter x 8.50"H (11.8 cm x 21.6 cm)
- Middle right: Box(es) no larger than 8.00"W x 5.30"H x 4.50"D (20.3 cm x 13.5 cm x 11.4 cm)
- Bottom: Box(es) no larger than 11.50"W x 5.50"H x 4.50"D (29.2 cm x 14.0 cm x 11.4 cm)

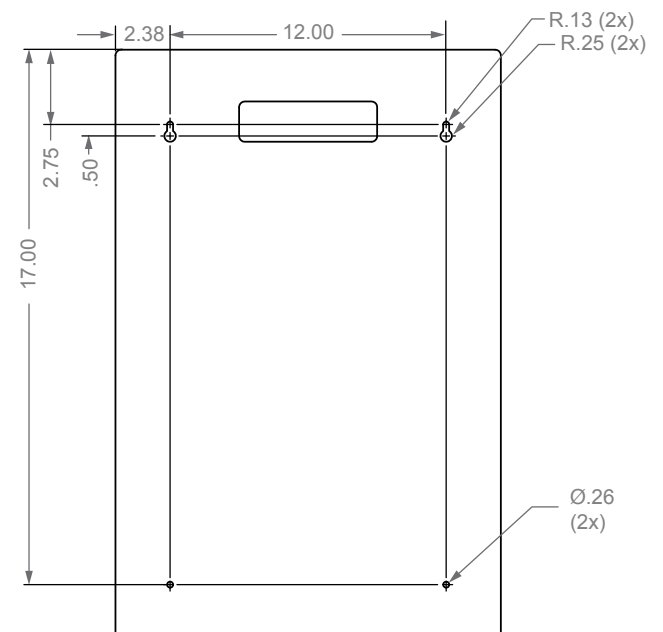
### Package Specifications:

- Package Quantity: 1 per case
- 18"L x 6"W x 29"H (45.7 cm x 15.2 cm x 73.7 cm)
- 6.0 lbs (2.7 kg) - approximated

### Product Specifications (overall external dimensions):

- 16.75"W x 25.63"H x 4.71"D (42.5 cm x 65.1 cm x 12.1 cm)
- 4.0 lbs (1.8 kg) - approximated

### Mounting Specifications:



### Related Products (each sold separately):

- MP-047: Sign Holder - Clip-On
- BOWMAN® Door and Wall Hangers: HH004-0412, MB-450, MB-500, MB-510, and MB-600
- Accessories: PA003-0212, PA004-0212, PA005-0212 (below left, attached to PS019-0212), PA006-0212



PA005-0212



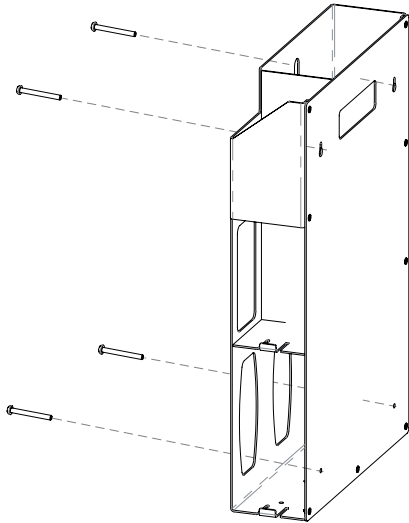
PA004-0212



### Installation

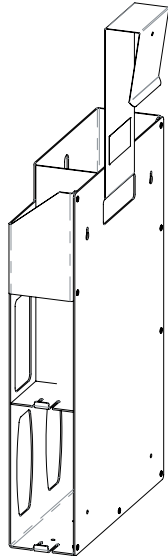
Always mount dispensers securely *prior* to loading with product.

- Mount securely to a wall with screws approved and supplied by building maintenance.



1

- Dispenser can be mounted onto a BOWMAN® door or wall hanger through the cutout in the back.



2

#### Parts included:

- Dispenser

#### Tools Required:

- No tools required to assemble dispenser

### Care and Construction

ABS Plastic

#### Material Characteristics

#### Designed for Long-Term, Heavy-Duty Applications

The combination of copolymers (Acrylonitrile, Butadiene, and Styrene) gives ABS an excellent combination of strength, rigidity, and toughness.

ABS is chemical and stress-crack resistant. It is tough, dimensionally stable, and will hold up to long-term use. It possesses high strength and performance characteristics at a reasonable cost.

#### Care and Cleaning

Use mild soap and water to clean. Petroleum-based oils, solvents, and paints should not be used.

Standard hospital cleaning supplies are approved for use on our ABS plastic products.