



MADE
IN THE **USA**

Accessories (each sold separately):

- Clip-On Caddy Dispensers: MP-015 and MP-085
- Sign Holder MP-047



MP0-015



MP0-085



MP-047

Product Description:

- Protection System
- Holds disposable or reusable gowns, aprons, or coveralls/jumpsuits, three - four boxes of gloves, one box of earloop masks, one box of face shields, and miscellaneous items
- Keyholes for wall mounting, or door hanger cut out for use with wall or door hanger
- Quartz Beige Powder-Coated Aluminum

Primary Area for Product Usage:

- Anywhere personal protection equipment is needed

Dispenses:

- Top left: Gowns, aprons, or coveralls/jumpsuits no larger than 14.40"W x 4.50"D (36.6 cm x 11.4 cm)
- Top right: Box(es) no larger than 8.10"W x 9.60"H x 4.50"D (20.6 cm x 24.4 cm x 11.4 cm)
- Middle right: Box(es) no larger than 8.20"W x 5.00"H x 4.50"D (20.8 cm x 12.7 cm x 11.4 cm)
- Bottom: Box(es) no larger than 11.30"W x 5.40"H x 4.00"D (28.7 cm x 13.7 cm x 10.2 cm) and/or miscellaneous items

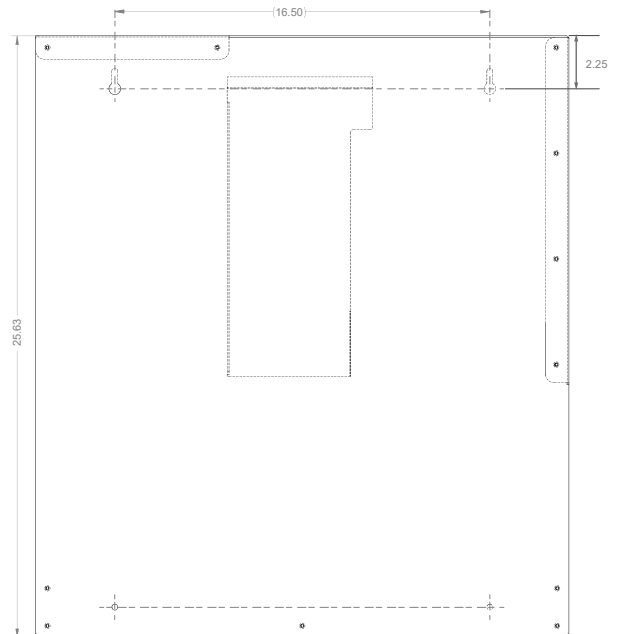
Package Specifications:

- 26"L x 6"W x 32"H (66.0 cm x 15.2 cm x 81.3 cm)
- 11.0 lbs (5.0 kg) - approximated

Product Specifications (overall external dimensions):

- 22.75"W x 25.63"H x 4.58"D (57.8 cm x 65.1 cm x 11.6 cm)
- 7.6 lbs (3.4 kg) - approximated

Mounting Specifications:

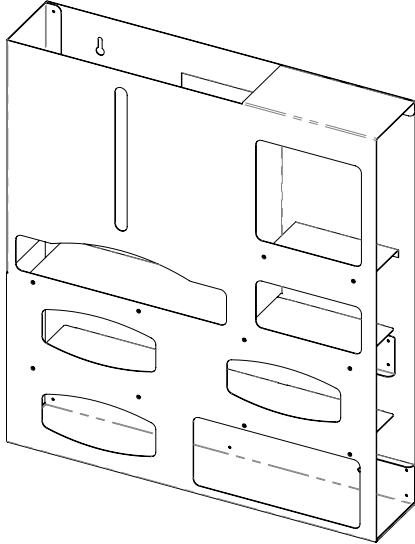




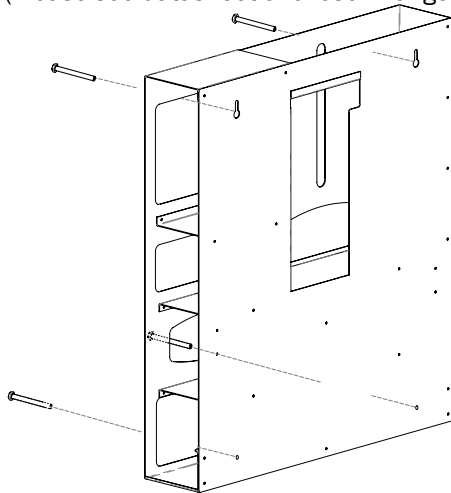
Installation

Always mount dispensers securely *prior* to loading with product.

- Sleek design holds all PPE necessary for proper isolation protection.



- Mount securely to a wall with screws approved and supplied by building maintenance.
- Dispenser can be mounted onto a BOWMAN® door or wall hanger through the cutout in the back. (Please see datasheet of chosen hanger for details.)

**Parts included:**

- Dispenser

Tools Required:

- No tools required to assemble dispenser

Care and Construction

Powder-Coated Aluminum

Material Characteristics

Designed for Long-Term, Heavy-Duty Applications

Our powder-coated aluminum dispensers resist corrosion, chips and flaking. This material will provide long-lasting products that hold up well in tough environments.

Powder-coated aluminum is ideal for dispensers used in a healthcare or an industrial setting. It is impact resistant and is not effected by extremes in temperature.

Care and Cleaning

The semi-gloss powder-coated finish resists mild chemicals and cleaning agents, such as Windex or glass cleaners. It should be cleaned with a damp cloth or mild soap and water. Scotch-Brite, steel wool or any abrasive products should not be used.