



MADE IN THE USA

### Accessories (each sold separately):

- Clip-On Caddy Dispensers: MP-015 and MP-085
- Sign Holder MP-047



MP0-015



MP0-085



MP-047

### Product Description:

- Protection System
- Holds disposable or reusable gowns, aprons, or coveralls/jumpsuits, three - four boxes of gloves, one box of earloop masks, one box of face shields, and miscellaneous items
- Keyholes for wall mounting, or door hanger cut out for use with wall or door hanger
- BOWMAN® Signature Series - Cherry Fauxwood ABS Plastic

### Primary Area for Product Usage:

- Anywhere personal protection equipment is needed

### Dispenses:

- Top left: Gowns, aprons, or coveralls/jumpsuits no larger than 14.90"W x 4.50"D (37.8 cm x 11.4 cm)
- Top right: Box(es) no larger than 8.10"W x 9.90"H x 4.50"D (20.6 cm x 25.1 cm x 11.4 cm)
- Middle right: Box(es) no larger than 8.00"W x 5.30"H x 4.50"D (20.3 cm x 13.5 cm x 11.4 cm)
- Bottom: Box(es) up to 11.50"W x 5.50"H x 4.50"D (29.2 cm x 14.0 cm x 11.4 cm), and/or miscellaneous items

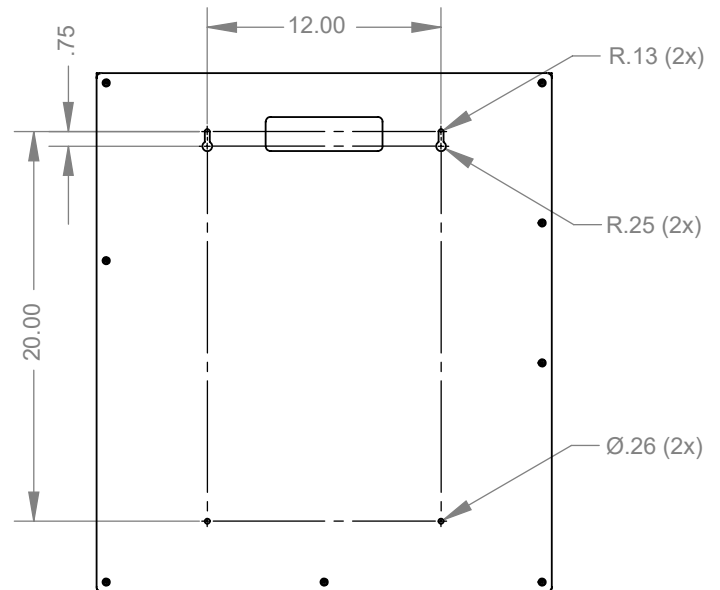
### Package Specifications:

- 26"L x 6"W x 32"H (66.0 cm x 15.2 cm x 81.3 cm)
- 12.0 lbs (5.4 kg) - approximated

### Product Specifications (overall external dimensions):

- 23.38"W x 26.63"H x 4.75"D (59.4 cm x 67.6 cm x 12.1 cm)
- 7.8 lbs (3.5 kg) - approximated

### Mounting Specifications:

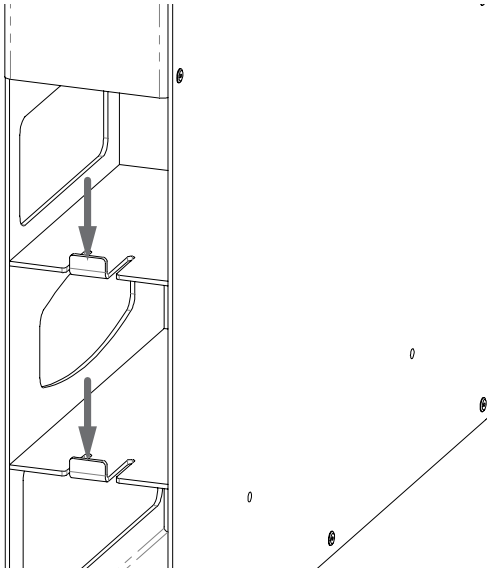




## Installation

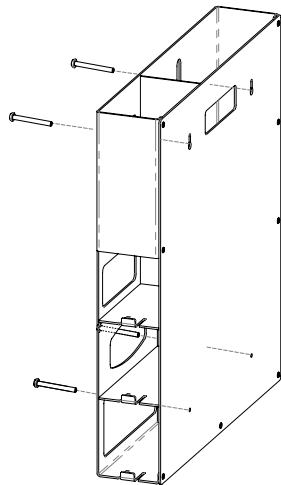
Always mount dispensers securely *prior* to loading with product.

- Built-in tabs hold boxes securely.



**1**

- Mount securely to a wall with screws approved and supplied by building maintenance.
- Dispenser can be mounted onto a BOWMAN® door or wall hanger through the cutout in the back. (Please see datasheet of chosen hanger for details.)



**2**

### Parts included:

- Dispenser

### Tools Required:

- No tools required to assemble dispenser

## Care and Construction

### ABS Plastic

### Material Characteristics

### Designed for Long-Term, Heavy-Duty Applications

The combination of copolymers (Acrylonitrile, Butadiene, and Styrene) gives ABS an excellent combination of strength, rigidity, and toughness. The fauxwood finish is ARVINYL laminate created from a semi-rigid film.

ABS is chemical and stress-crack resistant. It is tough, dimensionally stable, and will hold up to long-term use. To ensure product longevity, fauxwood products should not be mounted in very hot or cold areas.

### Care and Cleaning

Use mild soap and water to clean. Petroleum-based oils, solvents, and paints should not be used.

Standard hospital cleaning supplies are approved for use on our ABS plastic products.