



MADE IN THE USA

Product Description:

- Protection System - Gloveless
- Holds disposable or reuseable gowns, aprons, or coveralls/ jumpsuits, one box of earloop masks, and one box of face shields
- Keyholes for wall mounting, door hanger cut out for use with BOWMAN® hanger, or stand mountable
- Quartz Beige ABS Plastic

Primary Area for Product Usage:

- Anywhere personal protection equipment is needed

Dispenses:

- Left: Gowns, aprons, or coveralls/jumpsuits no larger than 14.80"W x 14.70"H x 4.50"D (37.6 cm x 37.3 cm x 11.4 cm)
- Top right: Box(es) no larger than 8.19"W x 5.00"H x 4.50"D (20.8 cm x 12.7 cm x 11.4 cm)
- Bottom right: Box(es) no larger than 8.19"W x 9.65"H x 4.50"D (20.8 cm x 24.5 cm x 11.4 cm)

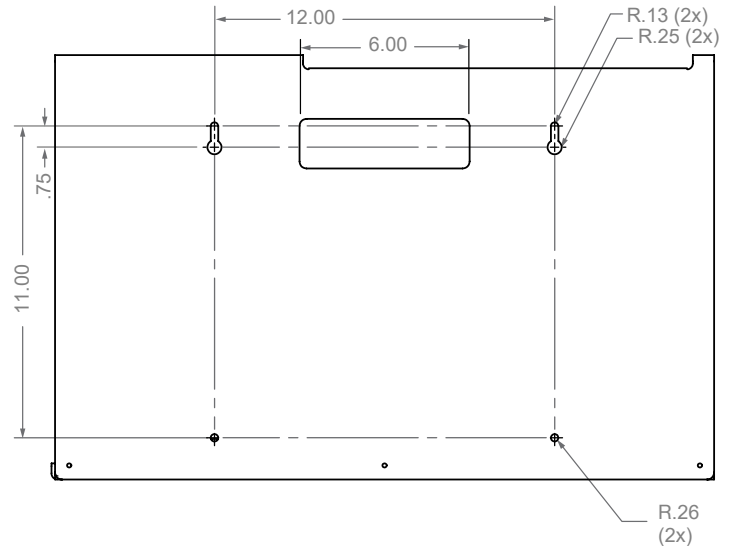
Package Specifications:

- Package Quantity: 1 per case
- 24"W x 16"H x 6"D (61.0 cm x 40.6 cm x 15.2 cm)
- 7.0 lbs (3.2 kg) - approximated

Product Specifications (overall external dimensions):

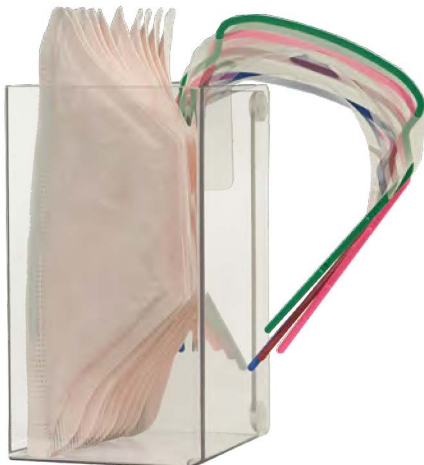
- 23.38"W x 14.98"H x 4.75"D (59.4 cm x 38.0 cm x 12.1 cm)
- 4.2 lbs (1.9 kg) - approximated

Mounting Specifications:



Related Products (each sold separately):

- MP-085: Caddy Dispenser - Clip On (shown below)
- MP-047: Sign Holder - Clip On
- Door/Wall Hangers: HH004-0412, MB-450, MB-510, MB-600, MB-601

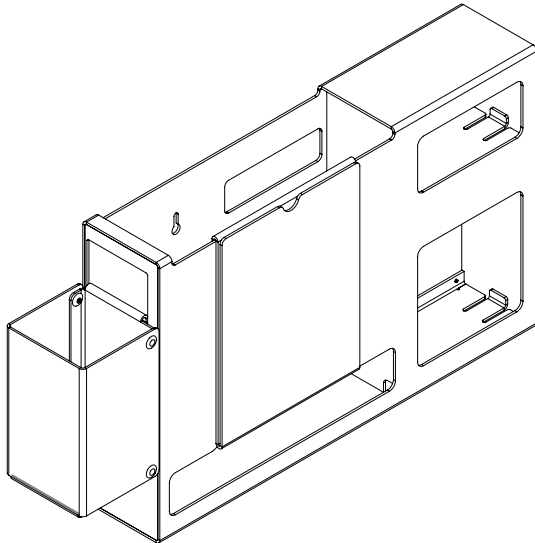




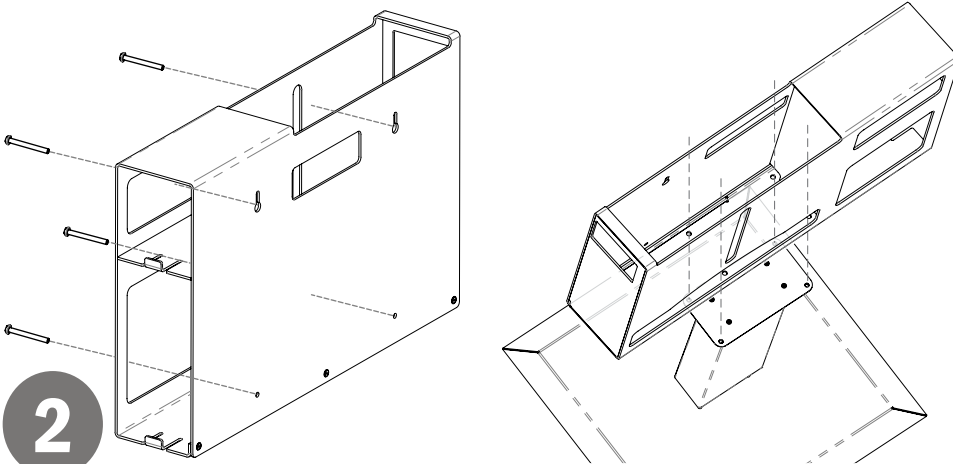
Installation

Always mount dispensers securely *prior* to loading with product.

- Precut hole in side allows for the attachment of a caddy (sold separately).

**1**

- Mount securely to a wall with screws approved and supplied by building maintenance.
- Dispenser can also be mounted onto a BOWMAN® door or wall hanger through the cutout in the back or on a BOWMAN® floor stand.

**2****Parts included:**

- Dispenser

Tools Required:

- No tools required to assemble dispenser

Care and Construction

ABS Plastic

Material Characteristics

Designed for Long-Term, Heavy-Duty Applications

The combination of copolymers (Acrylonitrile, Butadiene, and Styrene) gives ABS an excellent combination of strength, rigidity, and toughness.

ABS is chemical and stress-crack resistant. It is tough, dimensionally stable, and will hold up to long-term use. It possesses high strength and performance characteristics at a reasonable cost.

Care and Cleaning

Use mild soap and water to clean. Petroleum-based oils, solvents, and paints should not be used.

Standard hospital cleaning supplies are approved for use on our ABS plastic products.