

**MADE
IN THE USA**

* Imported

Product Description:

- Floor Stand
- Holds a variety of BOWMAN® Respiratory Hygiene Stations sold separately
- No tools required to assemble
- Self-righting base, up to 40 degrees past center without respiratory hygiene station
- Bay Gray powder-coated steel mounting plate, column, and base
- Mounting plate made in the USA
- Column and base made in China

Primary Area for Product Usage:

- Ports of entry, waiting rooms, lobbies, elevators
- Medical offices or clinics

Package Specifications:

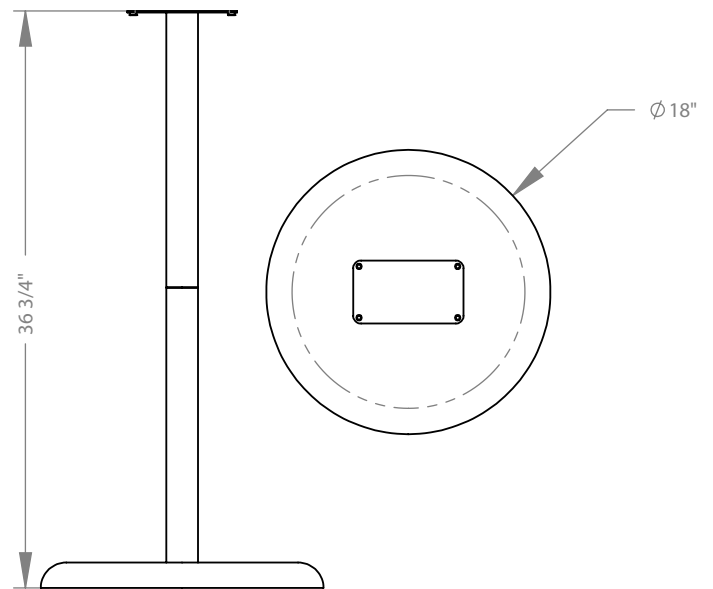
- 20"L x 6"W x 20"H (50.8 cm x 15.2 cm x 50.8 cm)
- 18.0 lbs (8.2 kg) - approximated

Product Specifications (overall external dimensions):

- 18.00"W x 36.73"H x 18.00"D (45.7 cm x 93.3 cm x 45.7 cm)
- 15.3 lbs (6.9 kg) - approximated

Mounting Specifications:**Related Products (each sold separately):**

- KS101-0029: Hand Sanitizer Floor Stand
- KS102-0029: Hand Sanitizer Floor Stand with Drip Tray (shown below)

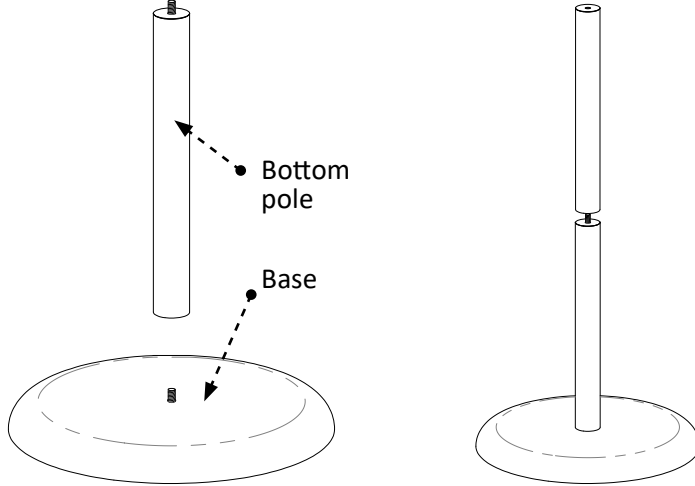




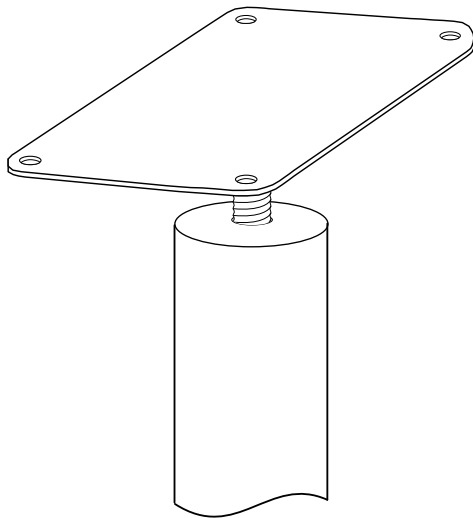
Installation

Always mount dispensers securely *prior* to loading with product.

- To secure base to column, place base on floor, line up threaded stud on base with threaded hole in pole. Turn pole clockwise until tight.
- Screw the threaded hole of second pole section onto the stud in the top of the first section. Turn clockwise until tight.



- Holding mounting plate level, screw the plate onto the threaded stud of the pole.



Parts included:

- Dispenser

Tools Required:

- No tools required to assemble dispenser

Care and Cons

Powder-Coated S

Material Character

Designed for Long-Term Applications

Dispensers and stands made of powder coated steel are both attractive and functional, providing years of service. Our powder coated steel dispensers and stands provide long-lasting products that hold up well in tough environments.



Alternate Mounting Options

Mounted vertically, powder coated steel is ideal for dispensers used in a healthcare or an industrial setting. It is impact resistant and is not effected by extreme temperature.



Care and Cleaning

The powder coated finish resists common chemicals and cleaning agents and can be easily wiped clean with soap and water.



Product Videos:
BowmanDispensers.com