**MADE  
IN THE USA****Product Description:**

- Floor Stand - Accommodates a variety of BOWMAN® Respiratory Hygiene Stations
- Column with square base and mounting top plate for companion product
- Hardware is included
- Made of White Powder-Coated Steel

**Primary Area for Product Usage:**

- Ports of entry: waiting rooms, lobbies, elevators
- Medical offices or clinics

**Dispenses:**

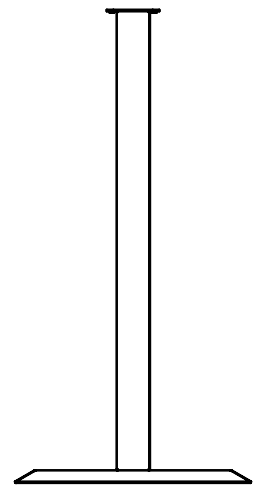
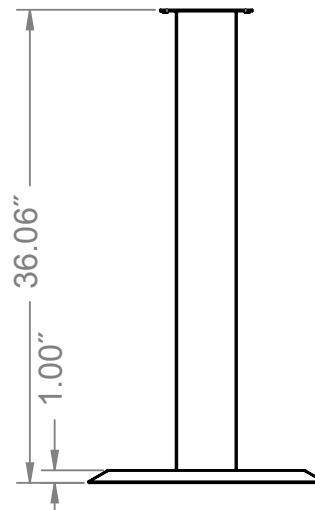
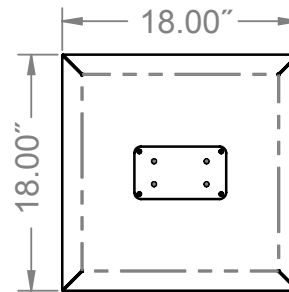
- Accommodates a variety of BOWMAN® Hygiene Stations

**Package Specifications:**

- Package Quantity: 1 per case
- 36"L x 20"W x 6"H (91.4 cm x 50.8 cm x 15.2 cm)
- 20.0 lbs (9.1 kg) - approximated

**Product Specifications (overall external dimensions):**

- 18.00"W x 36.06"H x 18.00"D (45.7 cm x 91.6 cm x 45.7 cm)
- 16.0 lbs (7.3 kg) - approximated

**Mounting Specifications:****Companion Products (each sold separately):**

- RS001-0223, Respiratory Hygiene Station
- RS005-0223, Respiratory Hygiene Station - Locking

**Related Products (sold as kits):**

- BD111-0023, Cover Your Cough Compliance Kit
  - RS001-0223, Respiratory Hygiene Station
  - KS010-0434, Floor Stand
  - MP-070, Sign Holder - Vertical
- BD116-0023, Cover Your Cough Compliance Kit
  - RS005-0223, Respiratory Hygiene Station - Locking
  - KS010-0434, Floor Stand
  - MP-075, Sign Holder - Horizontal



BD111-0023



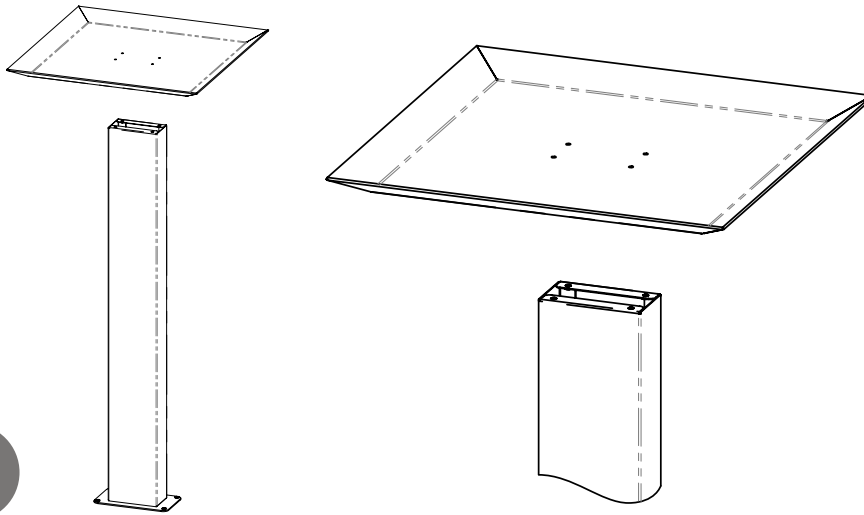
BD116-0023



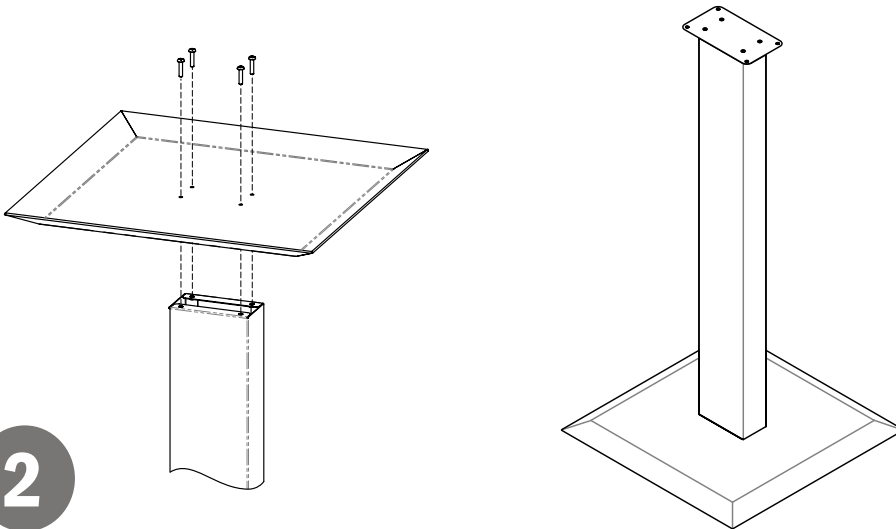
### Installation

Always mount dispensers securely *prior* to loading with product.

- To secure base to column, turn column upside down (with top plate down).
- Place base inverted, as shown, on column.



- Use Phillips screwdriver to secure base to column with (4x) screws (10-32 x 5/16").
- Turn stand right side up, so the base is on the floor.



#### Parts included:

- Column
- Base
- Hardware
- (8x) Screws: (4x) for stand, (4x) included to attach companion product (Phillips type 10-32 x 5/16")

#### Tools Required:

- Phillips screwdriver

### Care and Construction

Powder-Coated Steel

#### Material Characteristics

#### Designed for Long-Term Use

Our steel dispensers and stands are coated with polyester powders which makes them highly resistant to corrosion.

Powder-coated steel is ideal for dispensers used in a healthcare or an industrial setting because it is impact resistant and is not effected by extremes in temperature.

Dispensers and stands made of powder-coated steel are both attractive and functional, providing years of service.

#### Care and Cleaning

For best results, clean by washing the surface with a diluted solution of a mild, non-abrasive detergent in cold or warm water and a non-abrasive cloth. Standard hospital cleaning supplies can be used. Dry with a soft cloth. Do not use any solvent-based materials, abrasives (e.g. Scotch-brite, steel wool), or apply excessive force during cleaning.