



MADE
IN THE **USA**

Product Description:

- Gown Dispenser - Bulk
- Holds a variety of gowns in bulk quantity
- Pivot hinge lid
- Opening at front bottom of unit
- Keyholes for wall mounting, or door hanger cut out for use with wall or door hanger
- Quartz Beige ABS Plastic

Primary Area for Product Usage:

- Anywhere personal protective equipment is needed

Dispenses:

- Most standard-size flat-pack gowns - approximately 1 package (quantity varies with type of gown)

Package Specifications:

- Package Quantity: 1 per case
- 24"L x 16"W x 6"H (61.0 cm x 40.6 cm x 15.2 cm)
- 5.0 lbs (2.7 kg) - approximated

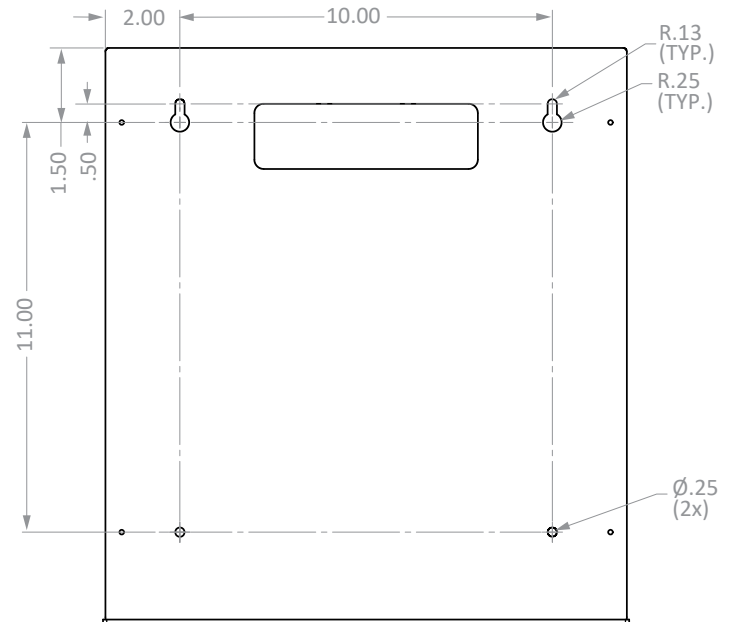
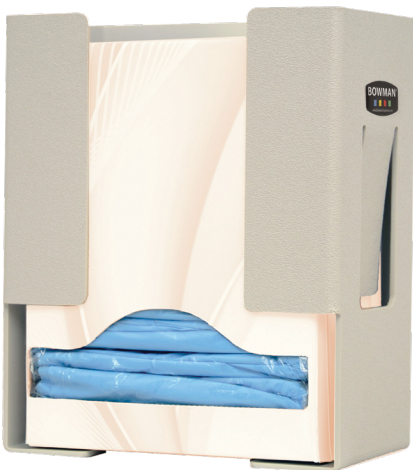
Product Specifications (overall external dimensions):

- 14.63"W x 15.34"H x 5.08"D (37.1 cm x 39.0 cm x 12.9 cm)
- 2.7 lbs (1.2 kg) - approximated

Mounting Specifications:

Related Products (each sold separately):

- GN100-0212: Gown Dispenser - Universal Boxed (shown below)

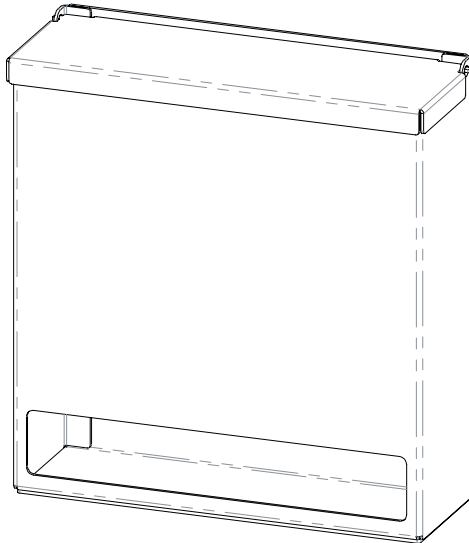




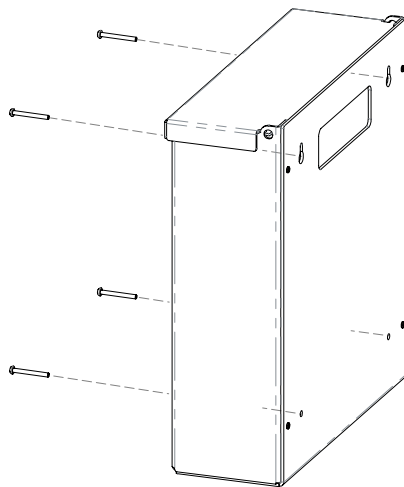
Installation

Always mount dispensers securely *prior* to loading with product.

- Flanged lid helps keep contents free of dust and debris.



- Mount securely to a wall with screws approved and supplied by building maintenance.
- Dispenser can be mounted onto a BOWMAN® door or wall hanger through the cutout in the back. (Please see chosen hanger datasheet for details.)



Parts included:

- Dispenser

Tools Required:

- No tools required to assemble dispenser

Care and Construction

ABS Plastic

Material Characteristics

Designed for Long-Term, Heavy-Duty Applications

The combination of copolymers (Acrylonitrile, Butadiene, and Styrene) gives ABS an excellent combination of strength, rigidity, and toughness. The fauxwood finish is ARVINYL laminate created from a semi-rigid film.

ABS is chemical and stress-crack resistant. It is tough, dimensionally stable, and will hold up to long-term use. To ensure product longevity, fauxwood products should not be mounted in very hot or cold areas.

Care and Cleaning

Use mild soap and water to clean. Petroleum-based oils, solvents, and paints should not be used.

Standard hospital cleaning supplies are approved for use on our ABS plastic products.