



MADE IN THE USA

Product Description:

- Surgical Face Mask Dispenser
- Holds up to six boxes of face masks and/or face shields
- Hinged lid
- Includes three 8.50" x 11.00" Sign Holders (MP-035)
- Keyholes for wall mounting or can be placed on countertop
- Quartz Beige ABS Plastic

Primary Area for Product Usage:

- Anywhere face masks are needed

Dispenses:

- Left: Box(es) no larger than 9.00"W x 10.00"H x 9.00"D (22.9 cm x 25.4 cm x 22.9 cm)
- Middle and Right: Box(es) no larger than 8.25"W x 10.00"H x 9.00"D (21.0 cm x 25.4 cm x 22.9 cm)

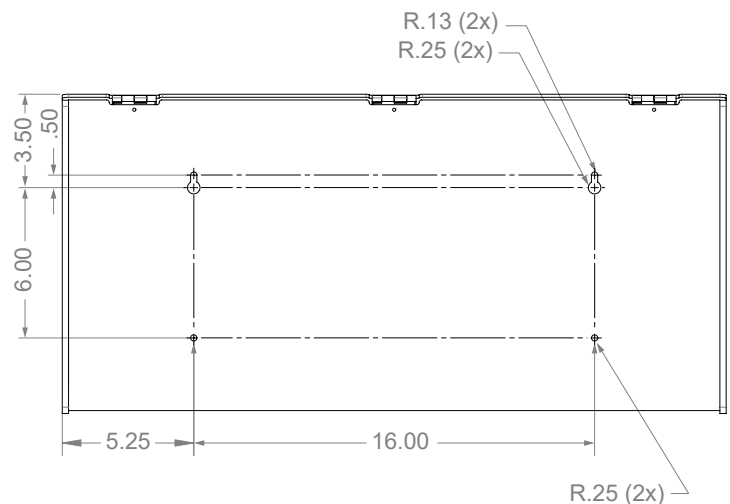
Package Specifications:

- Package Quantity: 1 per case
- 31"L x 15"W x 15"H (78.7 cm x 38.1 cm x 38.1 cm)
- 13.0 lbs (5.9 kg) - approximated

Product Specifications (overall external dimensions):

- 26.50"W x 20.69"H x 10.62"D (67.3 cm x 52.6 cm x 27.0 cm)
- 11.0 lbs (5.0 kg) - approximated

Mounting Specifications:



Companion Products (each sold separately):

- CL006-0212, Scrub Brush Dispenser
- CL007-0212, Scrub Brush Dispenser - Large
- FP-017, Face Mask Dispenser



CL006-0212

CL007-0212

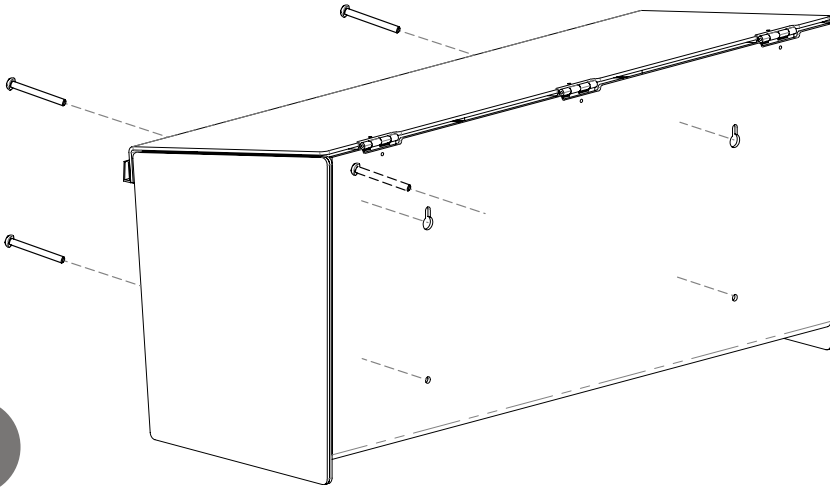
FP-017



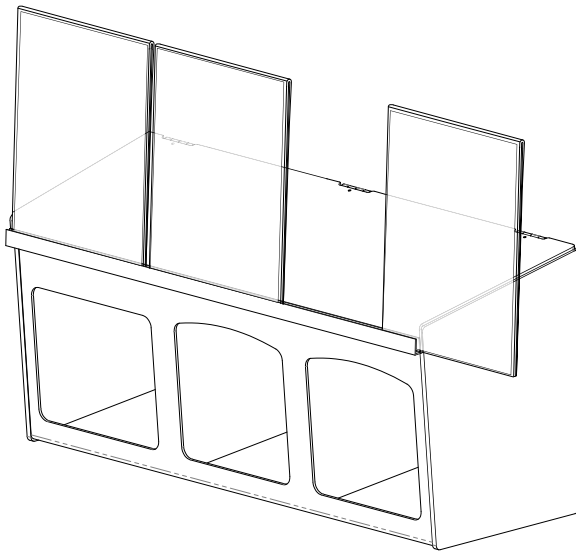
Installation

Always mount dispensers securely *prior* to loading with product.

- Mount securely to a wall with screws approved and supplied by building maintenance.
- Dispenser can also set on a countertop.



- Slide signs into groove of plastic holder on front edge of lid.



Parts included:

- Dispenser

Tools Required:

- No tools required to assemble dispenser

Characteristics & Care

ABS Plastic

Material Characteristics

Designed for Long-Term, Heavy-Duty Applications

The combination of copolymers (Acrylonitrile, Butadiene, and Styrene) gives ABS an excellent combination of strength, rigidity, and toughness.

ABS is chemical, stress-crack resistant, dimensionally stable, and will hold up to long-term use. It possesses high strength and performance characteristics at a reasonable cost.

Care and Cleaning

Use mild soap and water to clean. Petroleum-based oils, solvents, and paints should not be used.

Standard hospital cleaning supplies are approved for use on our ABS plastic products.