

**Product Description:**

- Epinephrine Injector Dispenser - 5
- Holds up to five Epinephrine Injectors
- Dual-sided clear PETG plastic door sleeve for identification signage
- Tab on front for lock placement
- Keyholes for wall mounting
- Quartz Beige ABS Plastic and Clear PETG Plastic

**Primary Area for Product Usage:**

- Anywhere Epinephrine injector organizers are needed

**Dispenses:**

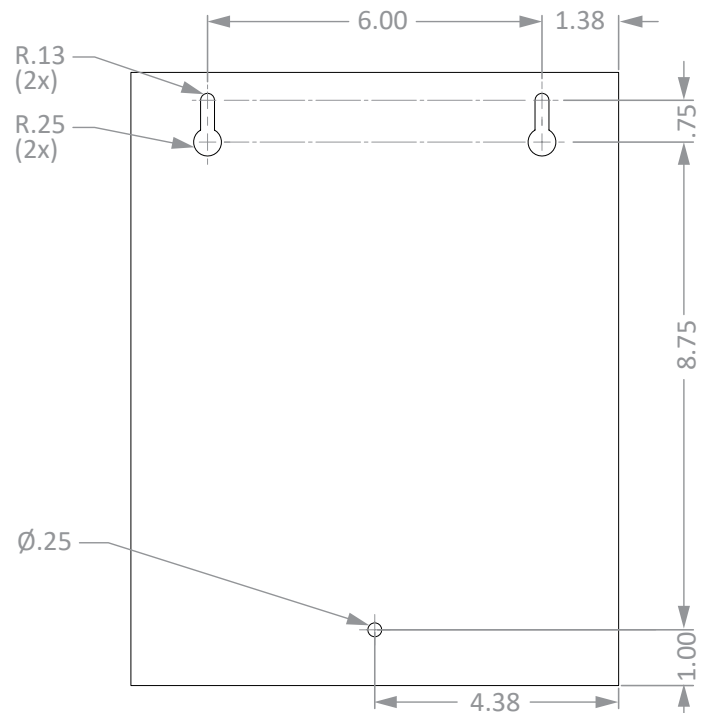
- Epinephrine auto injectors for anaphylactic emergencies (injectors not included)

**Package Specifications:**

- Package Quantity: 1 per case
- 14"W x 12"H x 9"D (35.6 cm x 30.5 cm x 22.9 cm)
- 4.0 lbs (1.8 kg) - approximate

**Product Specifications (overall external dimensions):**

- 9.00"W x 11.19"H x 2.51"D (22.9 cm x 28.4 cm x 6.4 cm)
- 1.9 lbs (0.8 kg) - approximated

**Mounting Specifications:****Related Products (each sold separately):**

- ED-760 - Epinephrine Injector Dispenser - 10 (shown below)

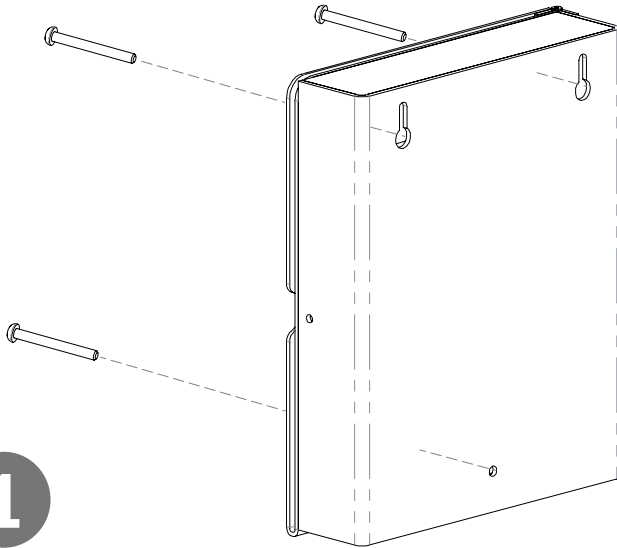




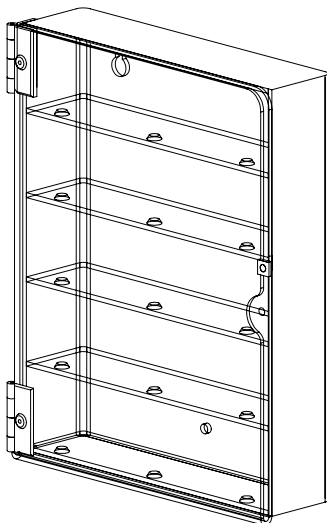
## Installation

Always mount dispensers securely *prior* to loading with product.

- Mount securely to a wall with screws approved and supplied by building maintenance.



- Lockable door holds a removable sign (free downloadable signs are available at [www.BowmanDispensers.com](http://www.BowmanDispensers.com)) to indicate injector recipients.



### Parts included:

- Dispenser

### Tools Required:

- No tools required to assemble dispenser

## Care and Construction

### ABS Plastic

#### Material Characteristics

#### Designed for Long-Term, Heavy-Duty Applications

The combination of copolymers (Acrylonitrile, Butadiene, and Styrene) gives ABS an excellent combination of strength, rigidity, and toughness.

ABS is chemical, stress-crack resistant, dimensionally stable, and will hold up to long-term use. It possesses high strength and performance characteristics at a reasonable cost.

#### Care and Cleaning

Use mild soap and water to clean. Petroleum-based oils, solvents, and paints should not be used.

Standard hospital cleaning supplies are approved for use on our ABS plastic products.

### PETG Plastic

#### Material Characteristics

#### Designed for Long-Term, Heavy-Duty Applications

Copolyester resin is designed for heavy-duty applications, and is used by BOWMAN® Dispensers. We never use acrylic in our products.

Copolyester (PETG) is typically 15-20 times tougher than general purpose acrylic. PETG is made to withstand handling and reduce losses due to breakage.

PETG resists a variety of chemicals and commonly used cleaning agents. It is tough and durable (not brittle), providing years of trouble-free functionality and long life.

Clear optical characteristics mean the viewer can see the content, read text, and see true colors through the material. It complies with FDA regulations for food contact.

#### Care and Cleaning

Most cleaning chemicals do not weaken the surface or cause damage to the material. Suggested cleaning method is to use a soft cloth, warm water, and mild soap.