



### Product Description:

- Bulk Dispenser - Single - Short
- Holds protective equipment or miscellaneous items in bulk
- One compartment
- Pivot hinge lid
- Top loading, top and bottom dispensing
- Keyholes for wall mounting
- Clear PETG Plastic

### Primary Area for Product Usage:

- Anywhere bulk items are needed

### Dispenses:

- Personal protection apparel or other miscellaneous items in bulk

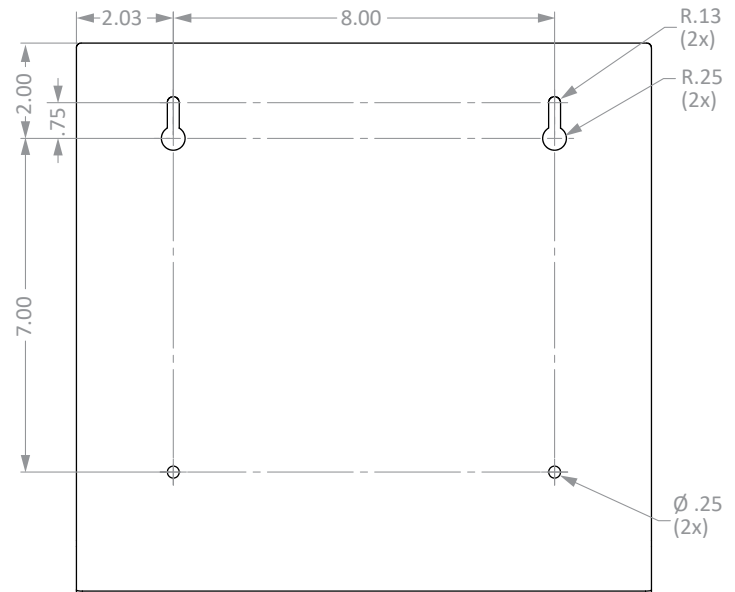
### Package Specifications:

- Package Quantity: 1 per case
- 14"W x 12"H x 9"D (35.6 cm x 30.5 cm x 22.9 cm)
- 5.0 lbs (2.3 kg) - approximated

### Product Specifications (overall external dimensions):

- 12.27"W x 11.13"H x 5.78"D (31.2 cm x 28.3 cm x 14.7 cm)
- 2.2 lbs (1.0 kg) - approximated

### Mounting Specifications:



MADE IN THE USA

### Related Products (each sold separately):

- BP-022: Bulk Dispenser - Double Bin (shown below)
- BP-023: Bulk Dispenser - Triple Bin

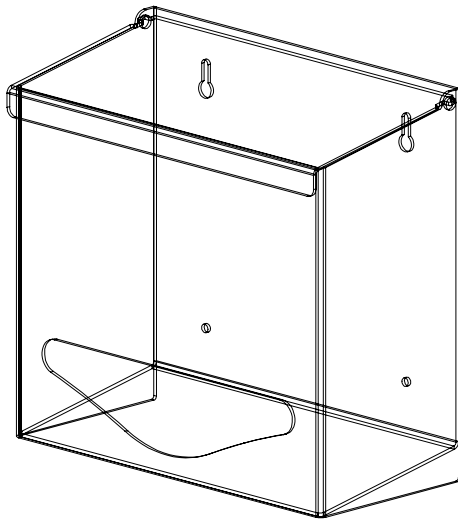




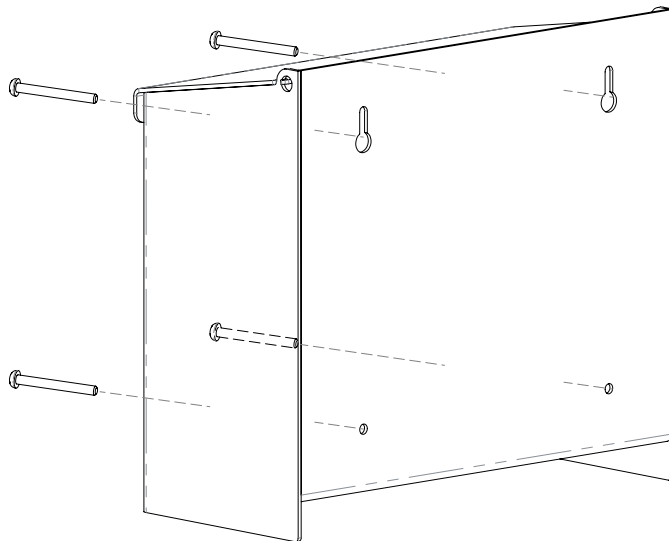
## Installation

Always mount dispensers securely *prior* to loading with product.

- Clear design allows full view of contents and supply level.
- Product is loaded through the top and dispensed either through the top or bottom front.



- Mount securely to a wall with screws approved and supplied by building maintenance.

**Parts included:**

- Dispenser

**Tools Required:**

- No tools required to assemble dispenser

## Care and Construction

PETG Plastic

### Material Characteristics

#### Designed for Long-Term, Heavy-Duty Applications

Copolyester resin is designed for heavy-duty applications, and is used by BOWMAN® Dispensers. We never use acrylic in our products.

Copolyester (PETG) is typically 15-20 times tougher than general purpose acrylic. PETG is made to withstand handling and reduce losses due to breakage.

PETG resists a variety of chemicals and commonly used cleaning agents. It is tough and durable (not brittle), providing years of trouble-free functionality and long life.

Clear optical characteristics mean the viewer can see the content, read text, and see true colors through the material. It complies with FDA regulations for food contact.

### Care and Cleaning

Most cleaning chemicals do not weaken the surface or cause damage to the material. Suggested cleaning method is to use a soft cloth, warm water, and mild soap.