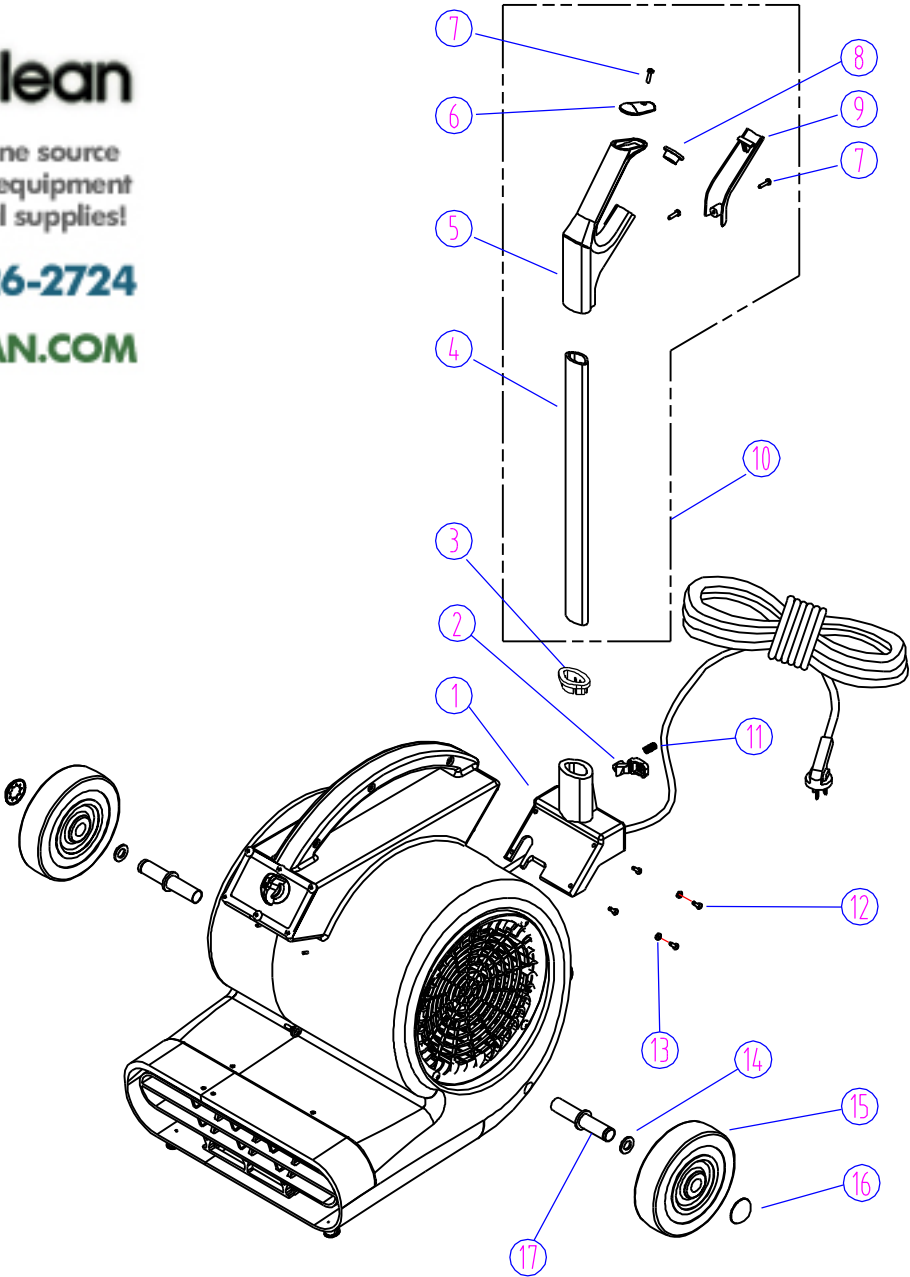


**UnoClean**

Your #1 online source  
for cleaning equipment  
and janitorial supplies!

**1-888-226-2724**

**UNOCLEAN.COM**



**THE AXLES HAVE A VERY TIGHT TOLERANCE FIT.  
LUBRICATE THEM WITH SOME SOAPY WATER BEFORE  
DRIVING THEM INTO THE MOLDED RECEIVER.**

**WHIPTAIL AIR MOVER - HANDLE & WHEEL KIT**

<b>DIA NO</b>	<b>PART NUMBER</b>	<b>DESCRIPTION</b>	<b>LIST</b>
1	VV30120	SEAT, HANDLE	\$10.50
2	VV30130	RELEASE BUTTON, HANDLE	\$1.13
3	VV30121	COVER, HANDLE SEAT	\$1.50
4	VV30106	TUBE, ALUMINUM	\$11.63
5	VV30132	PLASTIC HANDLE	\$6.25
6	VV30134	COVER, HANDLE	\$1.13
7	VV13640	SCREW, SELF-TAPPING, M4 x 16	\$1.13
8	VV30123	RUBBER COVER, HANDLE	\$1.13
9	VV30133	BOTTOM, HANDLE	\$1.38
10	VV30109B	HANDLE ASSY	\$33.00
11	VV30131	SPRING, RELEASE BUTTON	\$1.13
12	GT13012	SELF-TAPPING SCREW, ST5 x 16 (screws into plastic only)	\$1.14
	VV13661	SCREW, M4 x 12 (screws into brass inserts)	\$1.13
13	VV13664	WASHER, PLAIN 4 x 12 x 1	\$1.13
14	VF47027	WASHER, LOCK	\$1.13
15	VF47055	WHEEL, 6.4"	\$20.63
16	VA96851	CAP, AXLE	\$1.38
17	VV30111	AXLE	\$3.38

# UnoClean

[WWW.UNOCLEAN.COM](http://WWW.UNOCLEAN.COM)

TOLL FREE: 1-888-226-2724