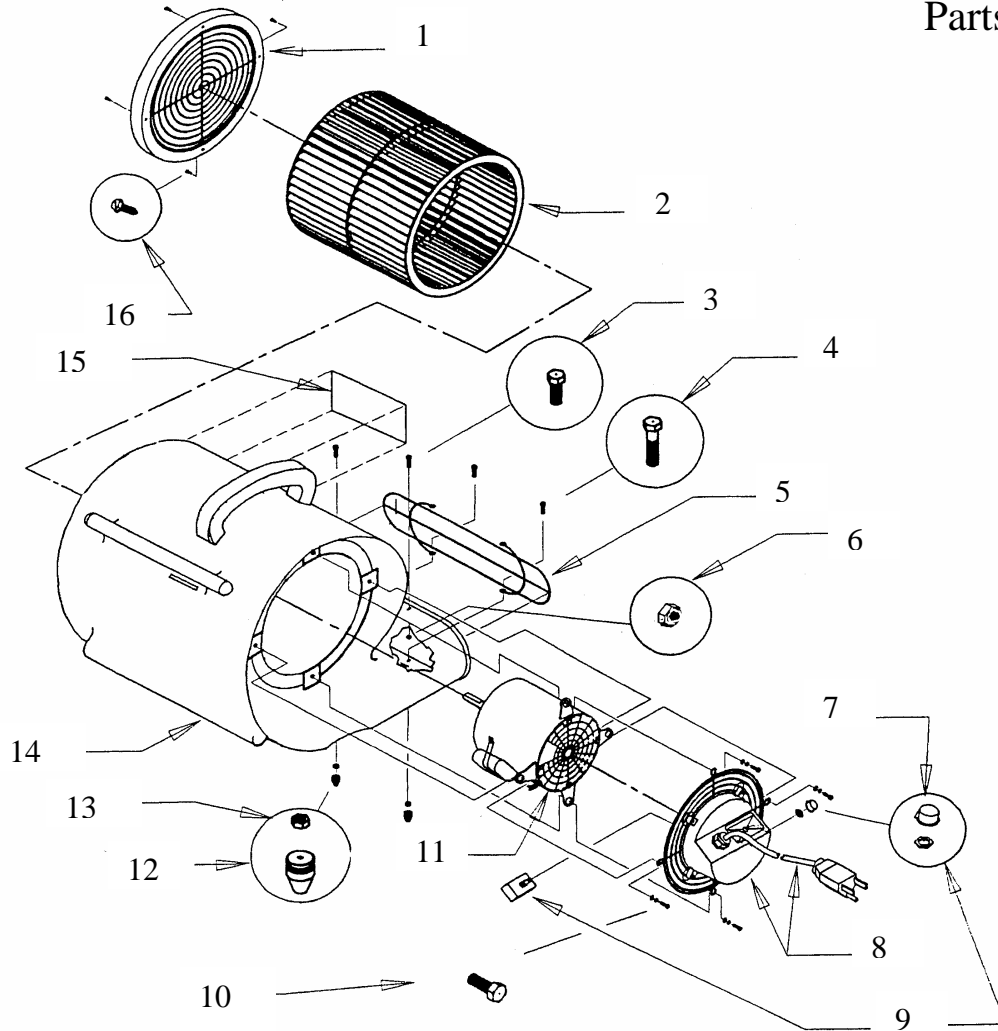


# VIKING

EQUIPMENT

## 2500 Windstar Exploded view with Parts List



| Item | Description               | Qty Req. | Viking Part#   | Item | Description              | Qty Req. | Viking Part#   |
|------|---------------------------|----------|----------------|------|--------------------------|----------|----------------|
| 1    | Guard, Fan Side           | 1        | A956           | 9    | Switch, 4-Position       | 1        | E539           |
| 2    | Blower Wheel, LG Plastic  | 1        | H322           | 10   | Flange Bolt, 1/4-20x5/8  | 4        | 1/4-20x5/8 FLG |
| 3    | Bolt, 1/4-20x3/4 Hex Head | 2        | 1/4-20x3/4 Hex | 11   | Motor, 1/2 HP            | 1        | AB050006       |
| 4    | 1/4-20x1 Hex              | 2        | 1/4-20x1 Hex   | 12   | Grommet, Rubber          | 2        | G050           |
| 5    | Front, Guard              | 1        | H788           | 13   | 1/4-20 Hex               | 2        | 1/4-20 Hex     |
| 6    | 1/4-20 Nylon Nut          | 2        | 1/4-20 Nyl     | 14   | Housing, SM Grey Granite | 1        | LG GGR         |
| 7    | Knob, comes with A955A    | 1        | E504           | 15   | Label                    | 1        | L902           |
| 8    | Guard, Black Cord         | 1        | A955A          | 16   | Screw, 8-15x5/8          | 4        | 8-15x5/8       |