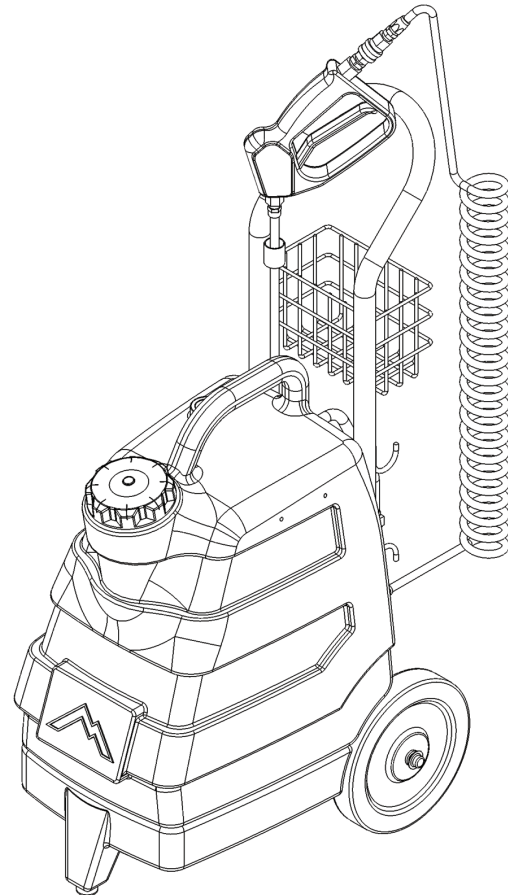


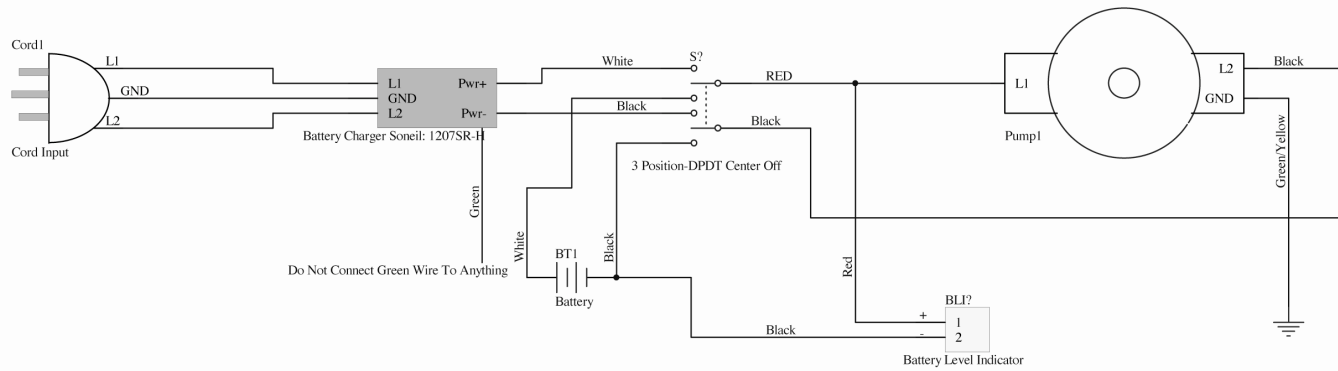
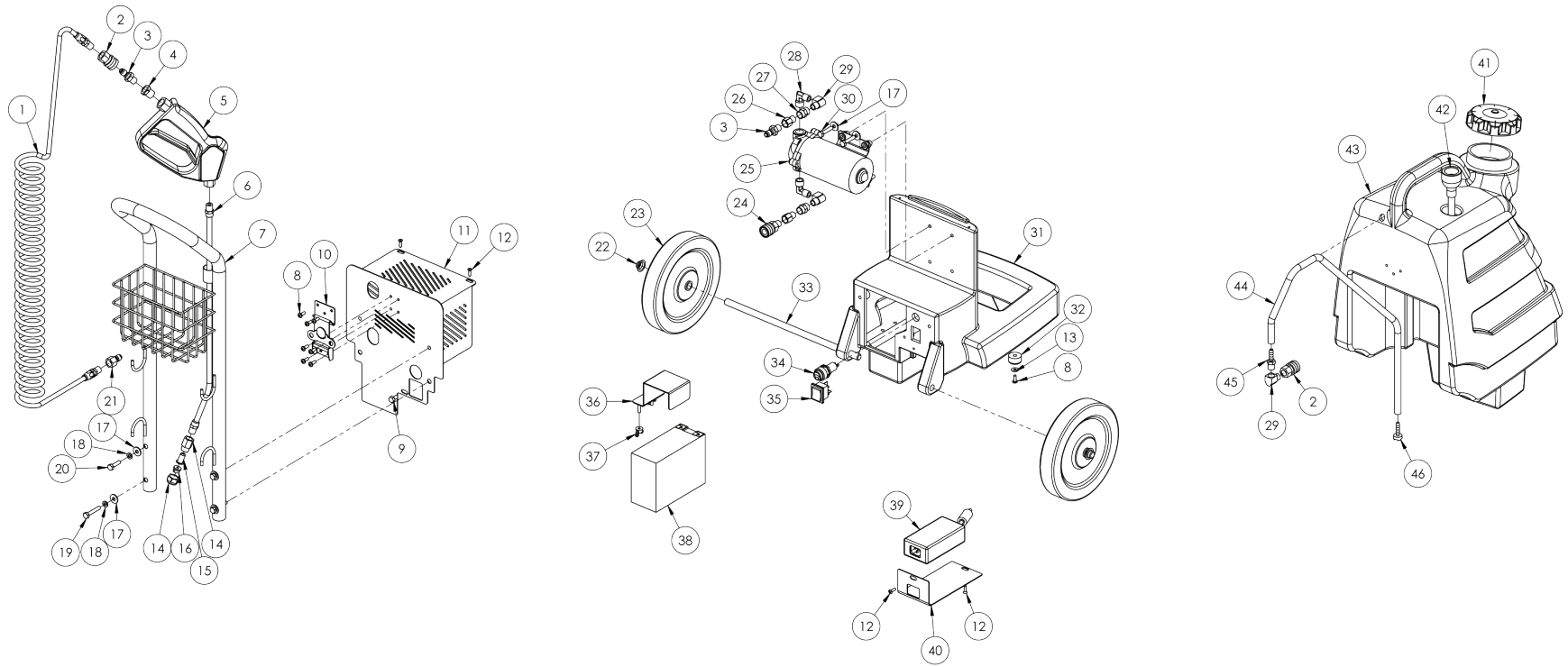


ENGLISH VERSION

ITEM NO.	PART NO.	DESCRIPTION	QTY.
1	AH107	sol hose, black coil 15' 1/4 m x 1/4 m	1
2	B259A	qd, brass, 1/4" fqd x mpt	2
3	B260A	qd, brass, 1/4" mqd x fpt	2
4	B105	bushing, brass, 3/8"mpt x 1/4"	1
5	H540	gun, high pressure, (batt spray/ counter)	1
6	B301	lance, bent, (nipple) 1/4" mpt x 1/4" mpt	1
7	H688	handle, MLLI w/basket	1
8	H230	screw, 10-32 x 1/2 phil pan	8
9	H201	bolt, 1/4-20 x 1/2" hex head, zinc	1
10	H486	latch, front breeze	1
11	H773	plate, cover, back, boss	1
12	H304	screw, #8 x 5/8 phil oval, s/s	4
13	H289	washer, #10 flat, s/s	1
14	B302	jet housing, 1/4" fpt w/ cap	1
15	B267	strainer, screen for 8006	1
16	B258A	T-Jet 8006	1
17	H210	washer, 1/4" flat, s/s	8
18	H213	washer, 1/4" lock, s/s	4
19	H316	bolt, 1/4-20 x 1-1/2" hex head, s/s	2
20	H342	bolt, 1/4-20 x 1" hex head, s/s	2
21	B260	qd, brass, 1/4" mqd x fpt	1
22	H219	cap, axle, 1/2"	2
23	H239	wheel, 8"	2
24	B259	qd, brass, 1/4" fqd x mpt	1
25	C391	pump, 60psi, 12V, 1 GPM	1
26	B111	adapter, brass, extender, 1/4" mpt x 1/4" fpt, hex	2
27	B142A	coupling, brass, 1/4" fpt x 1/4" fpt	2
28	B652	elbow, brass, 90 deg, 3/8"mpt x 1/4"mpt	2
29	B103	elbow, brass, 90 deg, 1/4"mpt x 1/4" fpt	3
30	H203	bolt, 1/4-20 x 1-1/4" hex head	4
31	P545	chassis, big boss	1
32	G087	bumper w/ built in washer (rubber foot)	1
33	H228	axle, 1/2" x 13-1/2", MLLI	1
34	E393	monitor, battery level	1
35	E516	switch, rocker, 3 position	1
36	H776	bracket, brace, battery, boss	1
37	H145	nut, wing, 10-32	2
38	E385	battery, 12V, 10AH, battery sprayer	1
39	E386	charger, 12V, w/cord battery sprayer	1
40	H772	cover, charger, boss	1
41	G033	cap, tethered, vented, 3.5"	1
42	H178	faucet fill	1
43	P544	sol tank, big boss	1
44	PH634	sol hose, 1/4" kuri 150psi	1
45	B109	adapter, brass, 1/4" barb x 1/4" mpt	1
46	B306	filter, 3/8" strainer, barb	1



DRAWN	NAME	DATE	MYTEE PRODUCTS, INC. 888-879-1191	
	V. LaBarbera	1/2009	TITLE:	
CHECKED			Big Boss	
<small>PROPRIETARY AND CONFIDENTIAL THE INFORMATION CONTAINED IN THIS DRAWING IS THE SOLE PROPERTY OF MYTEE PRODUCTS, INC. ANY REPRODUCTION IN PART OR AS A WHOLE WITHOUT THE WRITTEN PERMISSION OF MYTEE PRODUCTS, INC. IS PROHIBITED.</small>			SIZE	REV
			C	0D
			DWG. NO. 6002	
SCALE: 1:4			DATE SCALE DRAWING	SHEET 1 OF 2

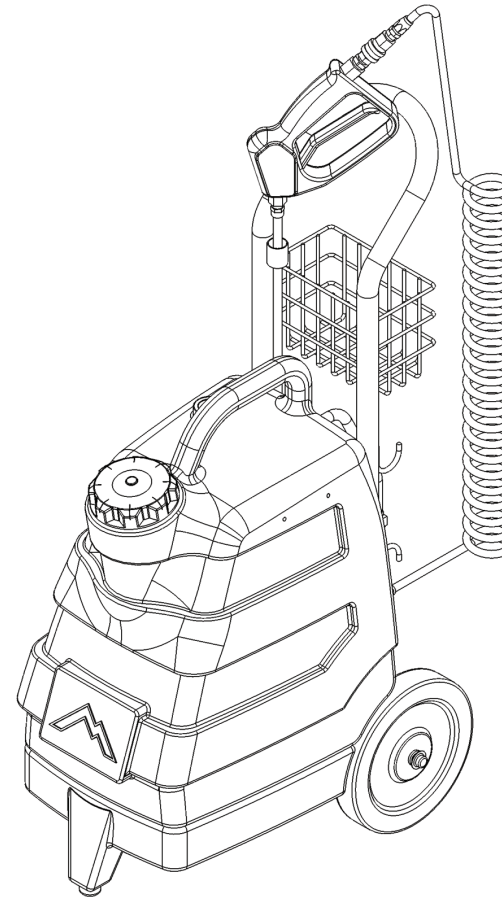


NAME	DATE	MYTEE PRODUCTS, INC. 858-679-1191	
DRAWN	V. LaBarbera	1/2009	
CHECKED			
TITLE:			
Big Boss			
PROPRIETARY AND CONFIDENTIAL THE INFORMATION CONTAINED IN THIS DRAWING IS THE SOLE PROPERTY OF MYTEE PRODUCTS, INC. ANY REPRODUCTION IN PART OR AS A WHOLE WITHOUT THE WRITTEN PERMISSION OF MYTEE PRODUCTS, INC. IS PROHIBITED.	SIZE	DWG. NO.	REV
	C	6002	0D
	SCALE: 1:6	DO NOT SCALE DRAWING	SHEET 2 OF 2
	2	1	

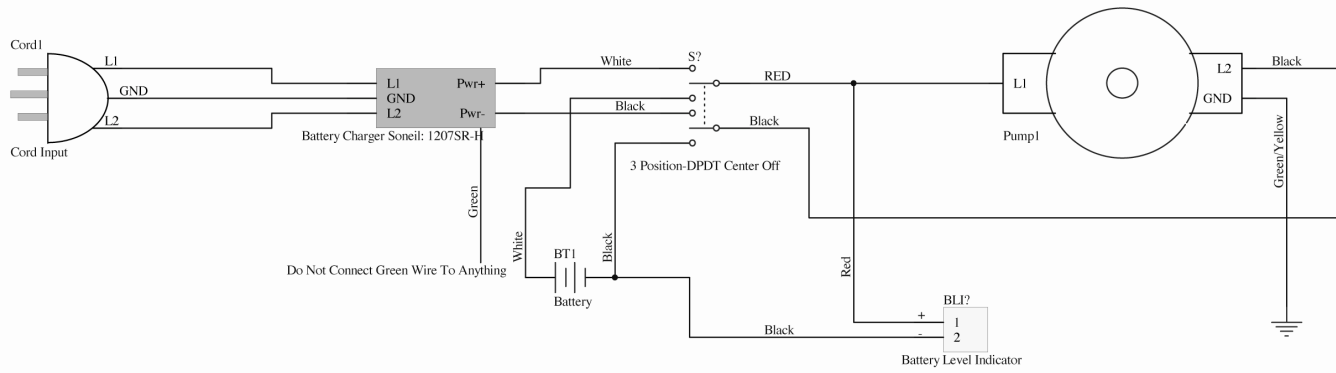
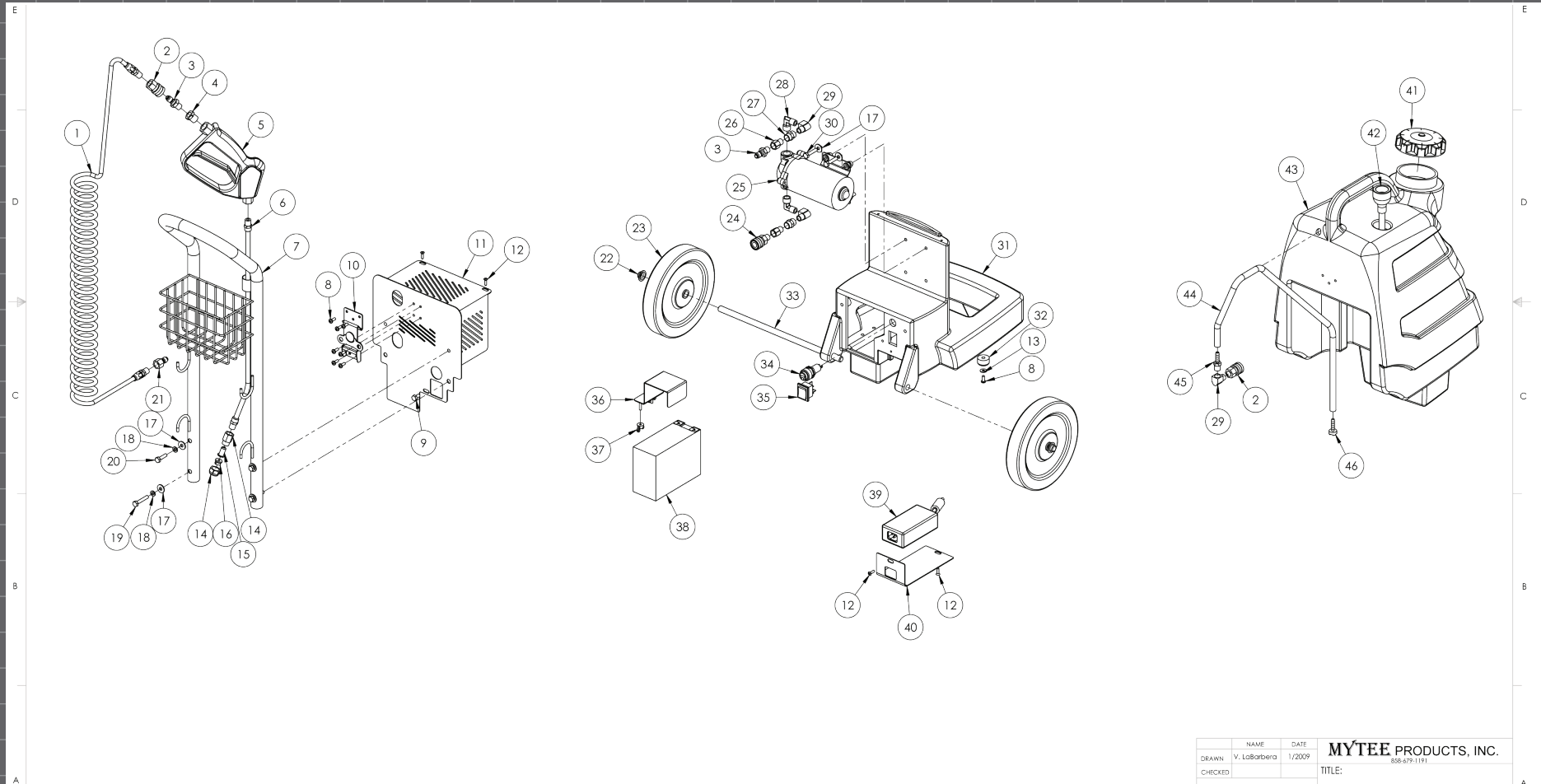


VERSIÓN EN ESPAÑOL

NO. ARTICULO	NO. PARTE	DESCRIPCION	CANTIDAD
1	AH107	manguera, pression, negra 15' 1/4m x 1/4m	1
2	B259A	conector rapido, cobre, 1/4 fqd x mpt	2
3	B260A	conector rapido, cobre, 1/4 hembra	2
4	B105	adaptador, cobre, 3/8" mpt x 1/4"	1
5	H540	pistola, alta pression, (batt spray/counter)	1
6	H171	barra, angulada 1/4 mpt x 1/4" mpt	1
7	H688	agarradera, MLII con/canasta	1
8	H230	tornillo, 10-32 x 1/2, cruz	8
9	H201	tornillo, 1/4 - 20 x 1/2" cabeza hex, zinc	1
10	H486	trancadera, mariposa, front breeze	1
11	H773	placa, cobertura, trasera (boss)	1
12	H304	tornillo, #8 x 5/8 cruz, s/s	4
13	H289	rondana, #10 plana, s/s	1
14	B302	base, sprayador 1/4 fpt c/tapon	1
15	B267	colador, malla para 8006	1
16	B258A	sprayador 8006	1
17	H210	rondana, 1/4" plang, s/s	8
18	H213	rondana, 1/4" candado, s/s	4
19	H316	tuerca, 1/4 - 20 x 1 - 1/2", cabeza hex, s/s	2
20	H342	tuerca, 1/4 - 20 x 1" hex, s/s	2
21	B260	conector rapido, cobre, 1/4" macho	1
22	H219	tapon, eje, 1/2"	2
23	H239	llanta, 8"	2
24	C391	pompa, 60 psi, 12V, 1 GPM	1
25	B259	conector rapido, cobre, 1/4", hembra	1
26	B111	adaptador, cobre, 1/4" mpt x 1/4" fpt, hex	2
27	B142A	cople, cobre, 1/4" fpt x 1/4" fpt	2
28	B652	codo, cobre, 90 grados, 3/8" mpt x 1/4" mpt	2
29	B103	codo, cobre, 90 grados, 1/4" mpt x 1/4" fpt	3
30	H203	tornillo, 1/4 - 20 x 1/4" cabeza hex	4
31	P545	chasis, big boss	1
32	G087	patas de goma, con rondana	1
33	H228	eje, 1/2" x 13 - 1/2", MLII	1
34	E393	indicador, nivel de agua	1
35	E516	interruptor, 3 posiciones	1
36	H776	brazadera, bateria, boss	1
37	H145	tuerca, ala, 10 - 32	2
38	E385	bateria, 12V, 10AH, battery sprayer	1
39	E386	cargador, 12V, cable, battery sprayer	1
40	H772	tapadera, cargador, boss	1
41	G033	tapa, rosca, ventilada, 3.5"	1
42	H178	embudo, solvente	1
43	P544	tanke de agua, big boss	1
44	PH634	manguera, pression, 150 psi	1
45	B109	adaptador, cobre, 1/4" barb x 1/4" mpt	1
46	B306	filtro, 3/8" retenedor, alambre	1



NAME	DATE	MYTEE PRODUCTS, INC. 888-479-1191	
DRAWN Y. LoBarbero	1/2009	TITLE: Big Boss	
CHECKED		SIZE C	DWG. NO. 6002
<small>PROPRIETARY AND CONFIDENTIAL THE INFORMATION CONTAINED IN THIS DRAWING IS THE SOLE PROPERTY OF MYTEE PRODUCTS, INC. ANY REPRODUCTION IN PART OR AS A WHOLE WITHOUT THE WRITTEN PERMISSION OF MYTEE PRODUCTS, INC. IS PROHIBITED.</small>		REV 0D	SHEET 1 OF 2
SCALE: 1:4		DO NOT SCALE DRAWING	



NAME	DATE	MYTEE PRODUCTS, INC. 888-679-1191	
DRAWN: V. Labarbera	1/2009	TITLE: Big Boss	
CHECKED:		SIZE: C	DWG. NO.: 6002
<small>PROPRIETARY AND CONFIDENTIAL THE INFORMATION CONTAINED IN THIS DRAWING IS THE SOLE PROPERTY OF MYTEE PRODUCTS, INC. ANY REPRODUCTION IN PART OR AS A WHOLE WITHOUT THE WRITTEN PERMISSION OF MYTEE PRODUCTS, INC. IS PROHIBITED.</small>		REV: 0D	SCALE: 1:6
		DO NOT SCALE DRAWING	SHEET 2 OF 2